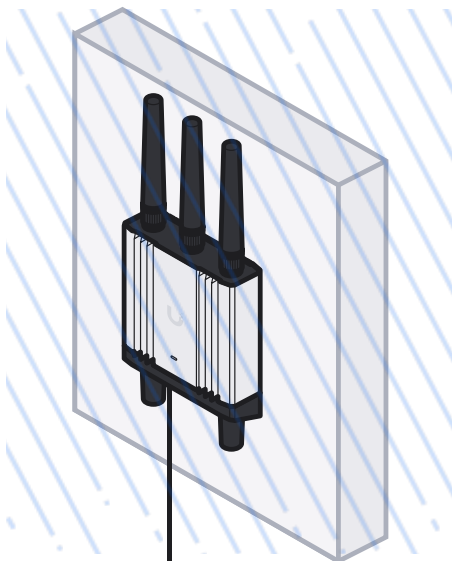
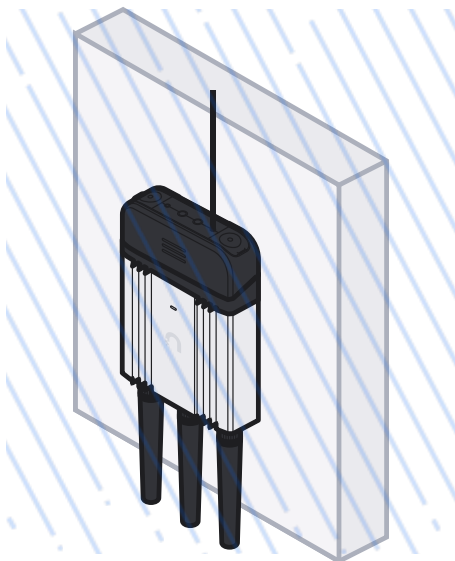
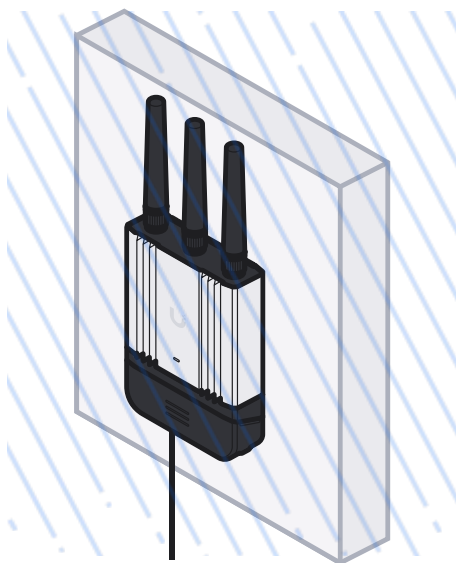


Ø5mm
(Ø3/16")

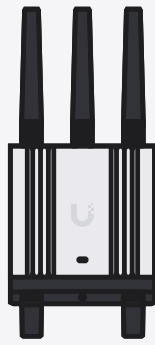


T8





1



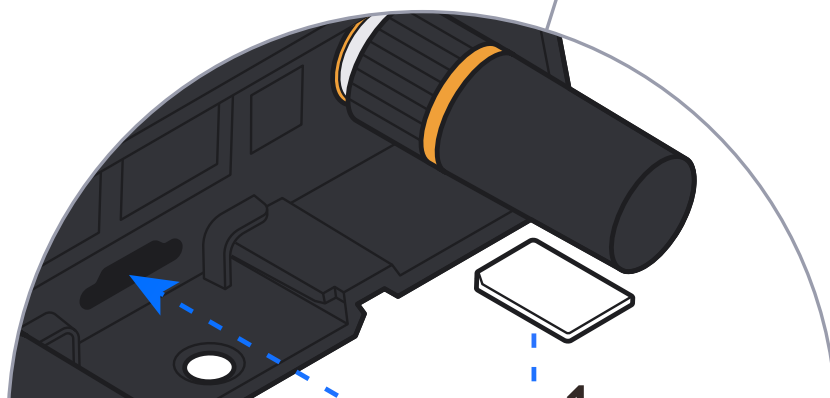
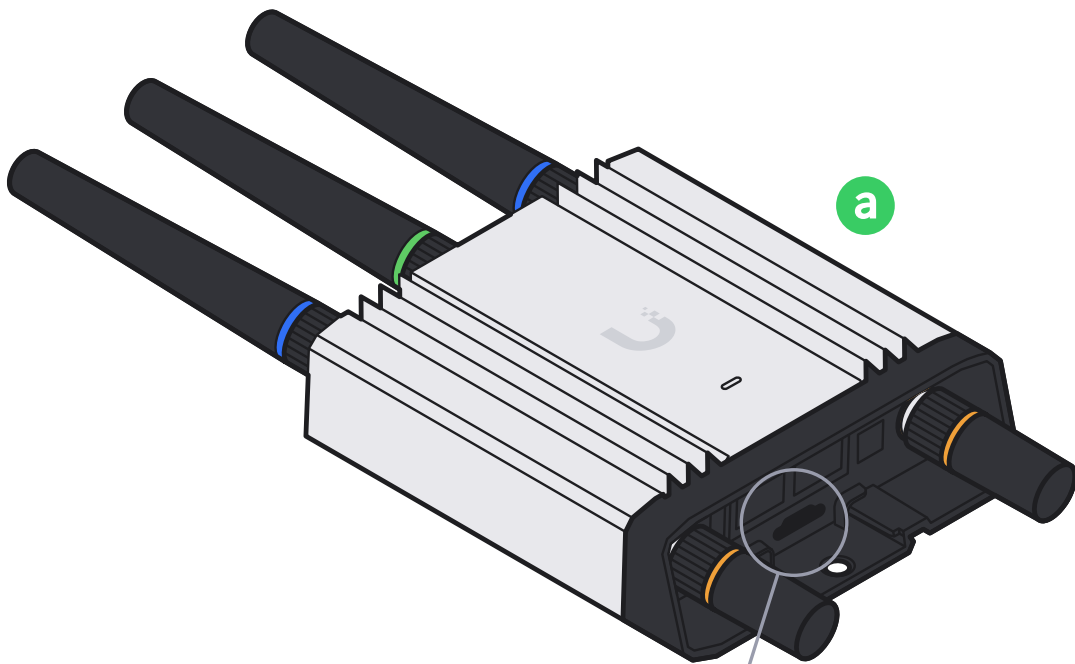
1x

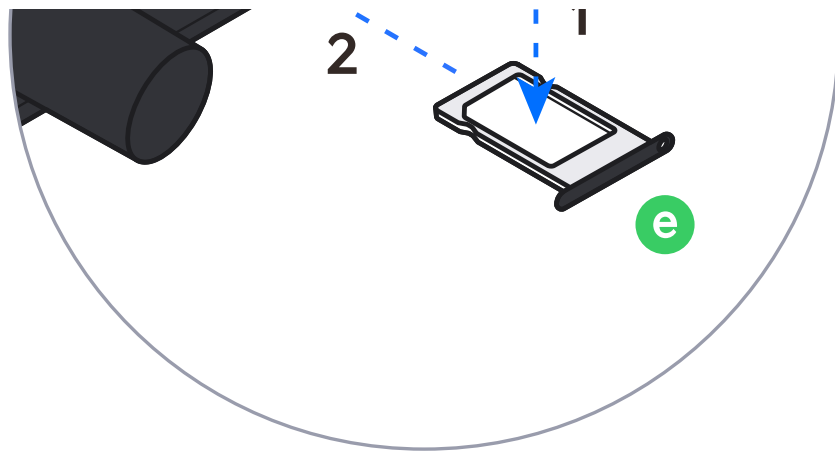
a



1x

e





2

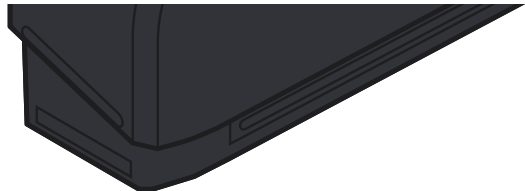


1x

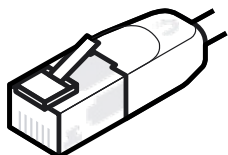


1x



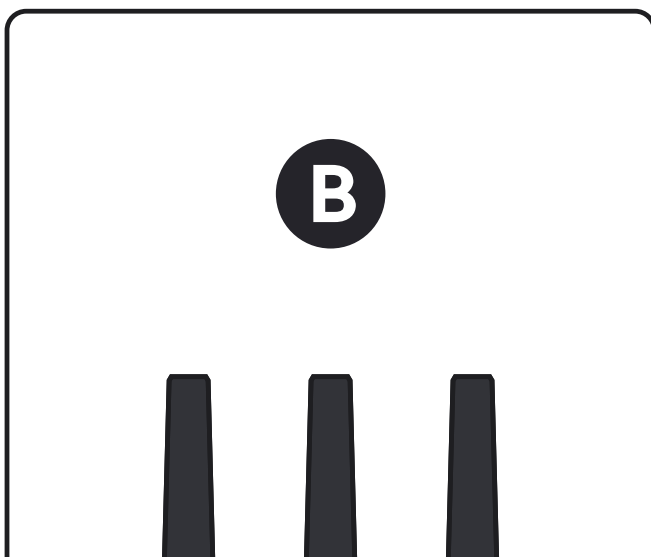
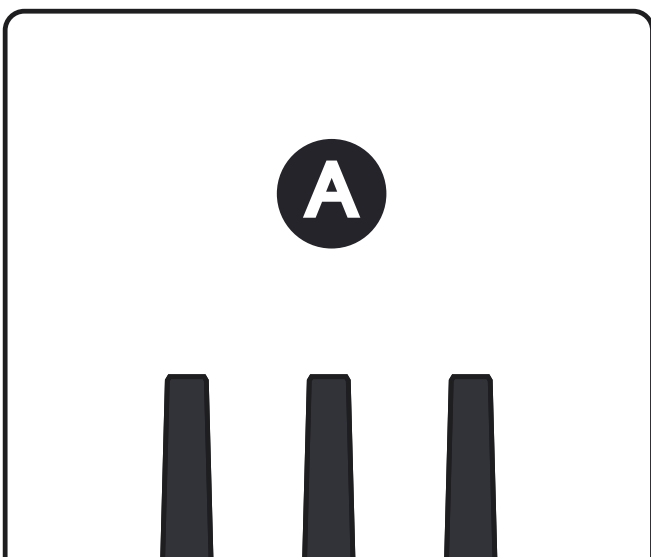
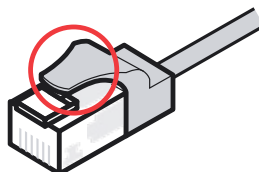
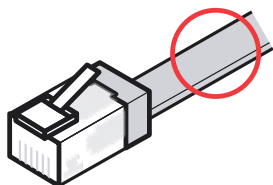
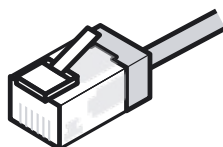


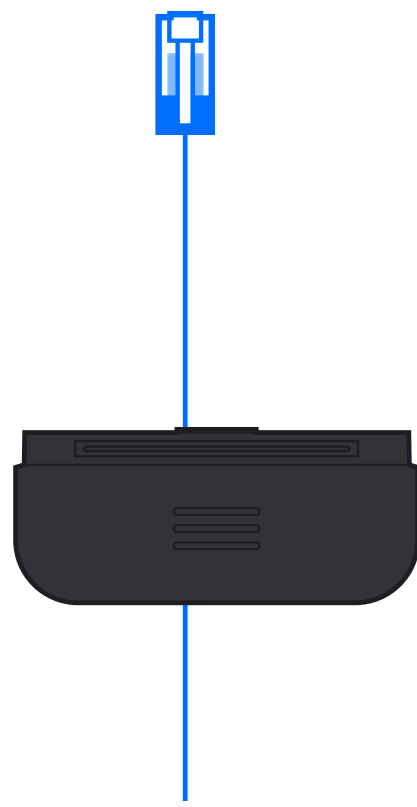
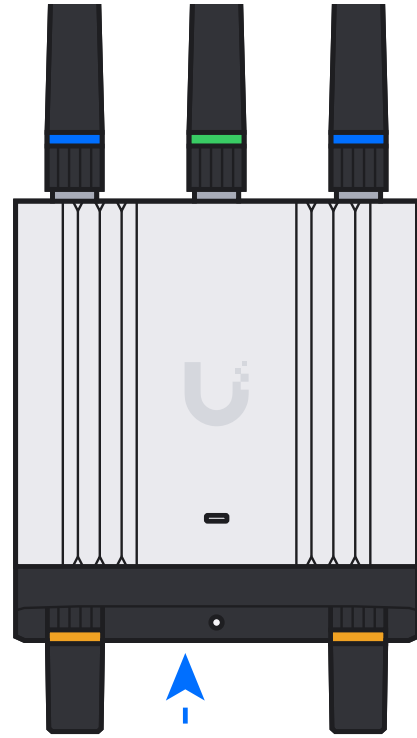
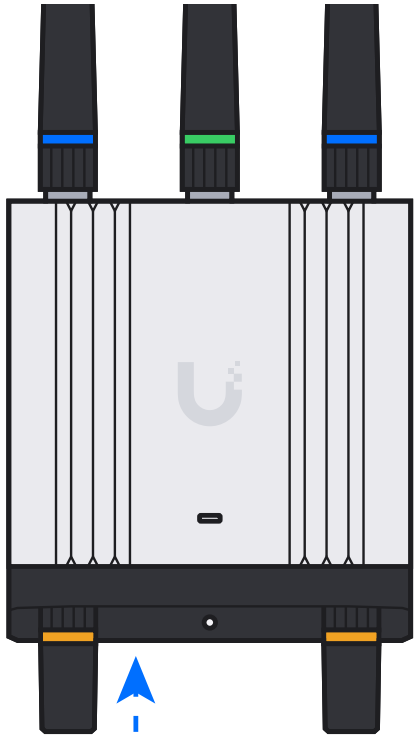
3



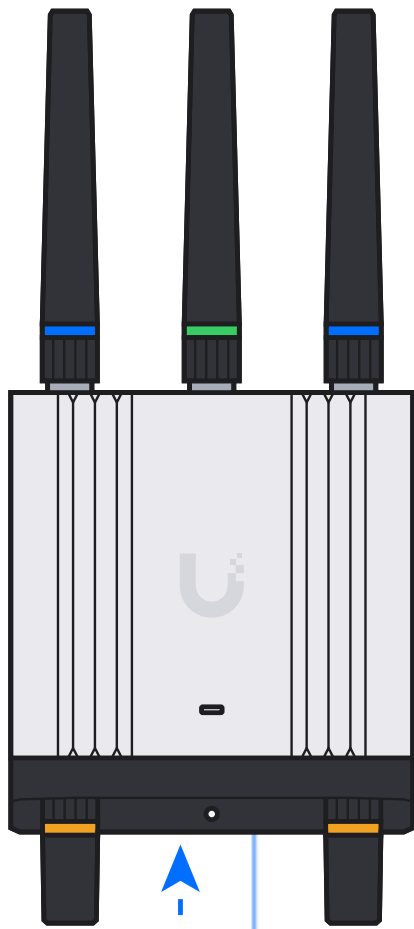
UniFi Patch Cable Outdoor

[Buy >](#)

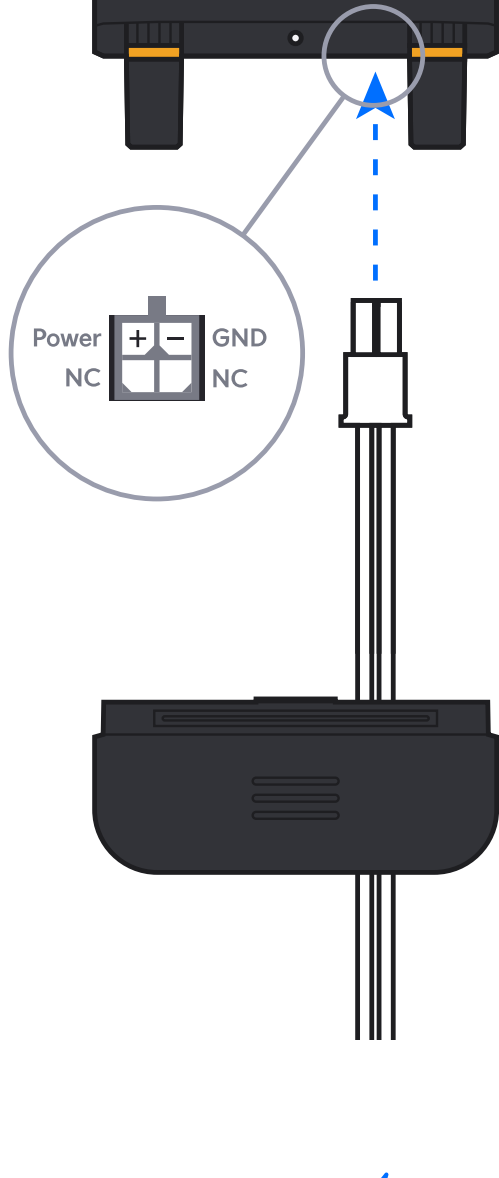
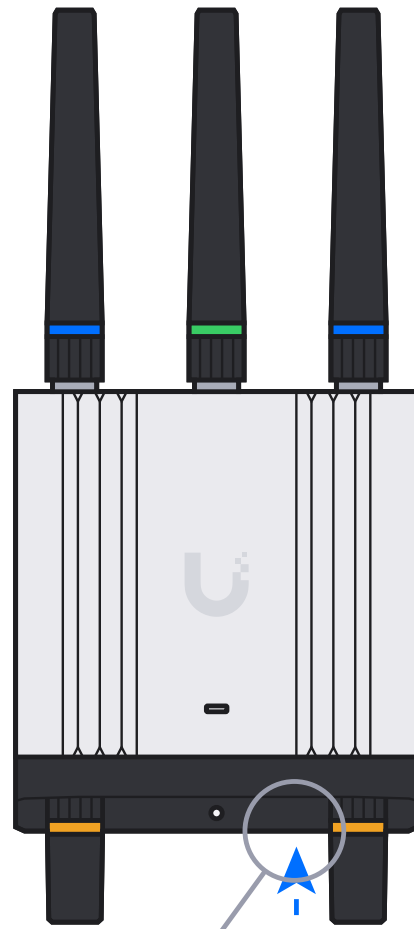


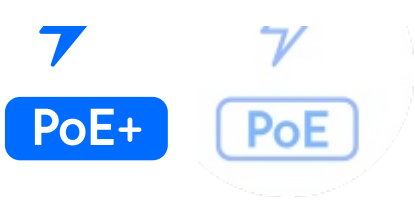


C



D

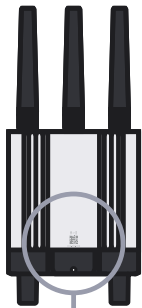




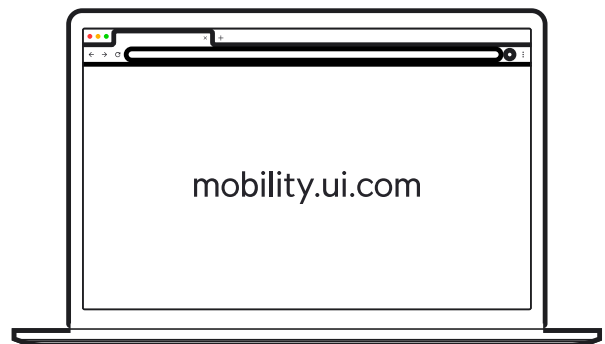
Power on and initialize (up to 2.5 min).

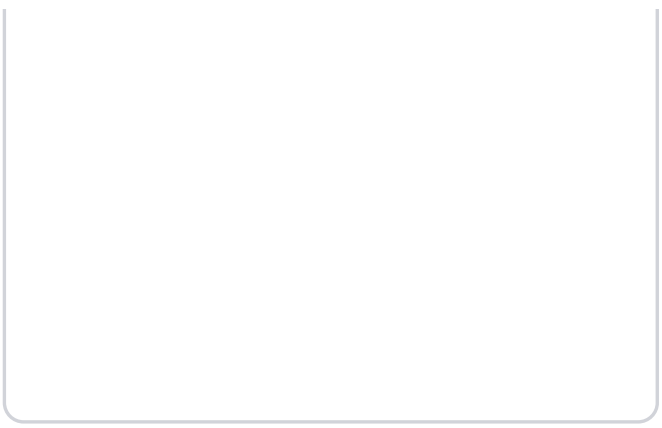
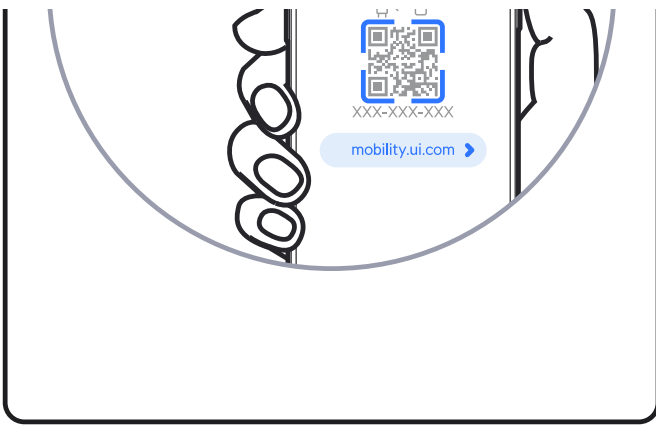
4

A



B



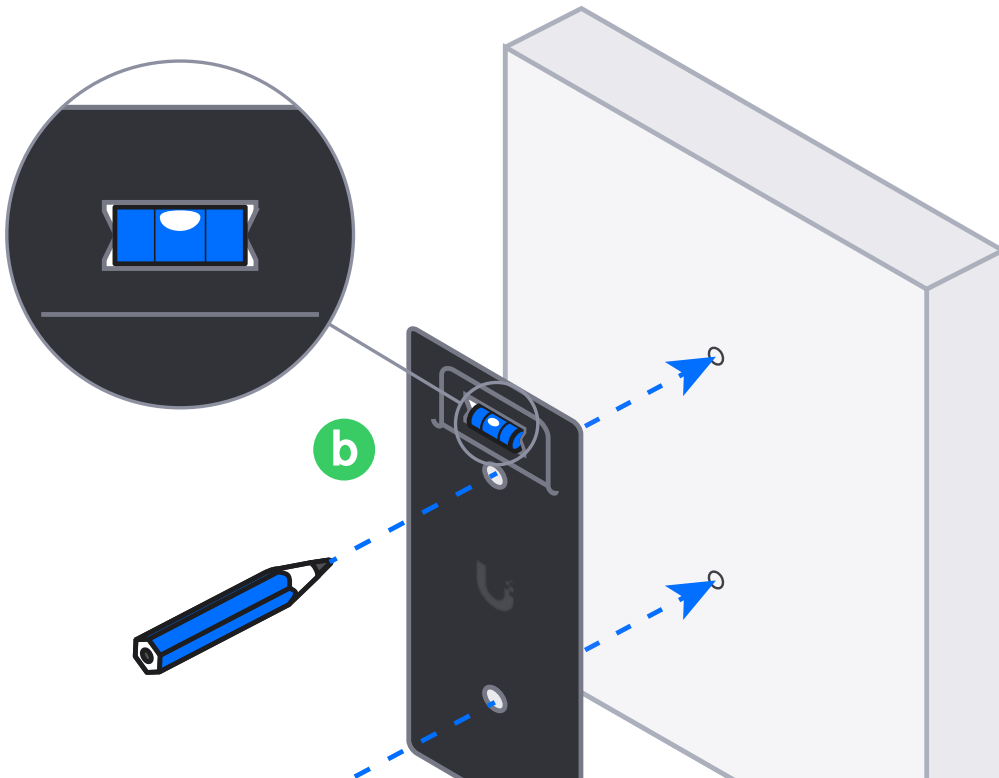


5

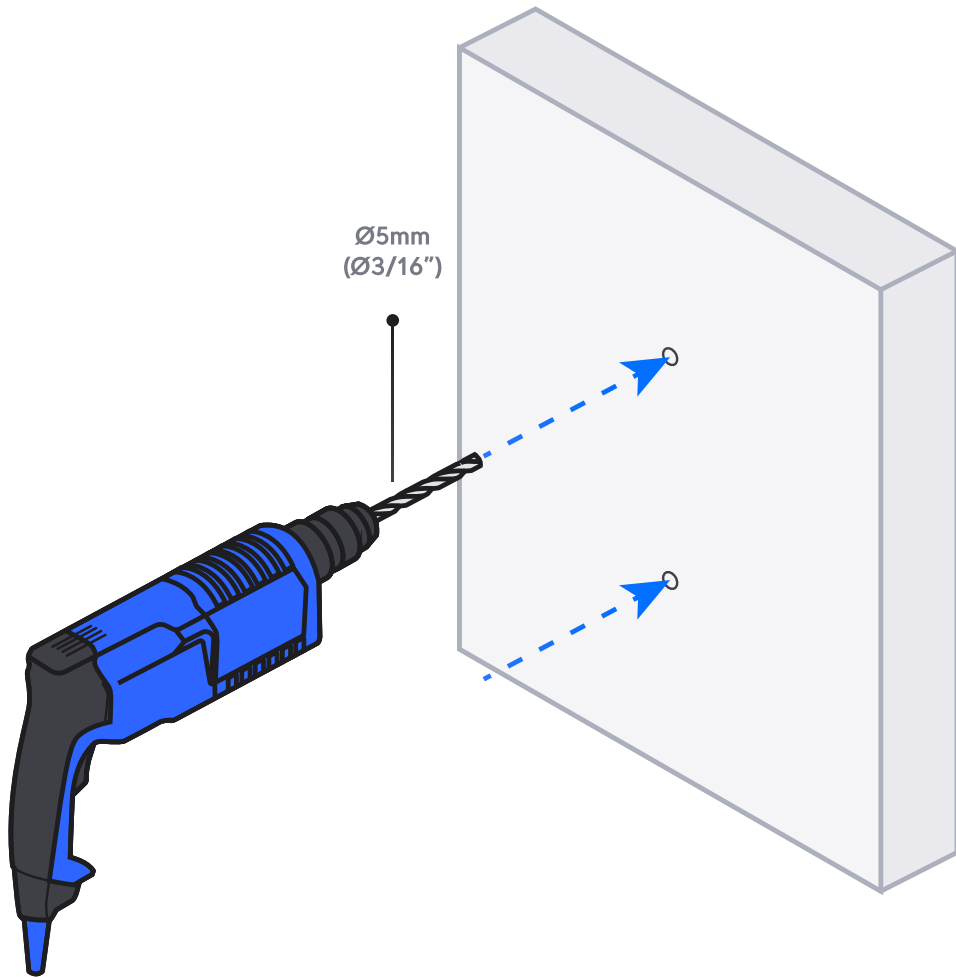


1x

b



6



7



1x



2x

M3

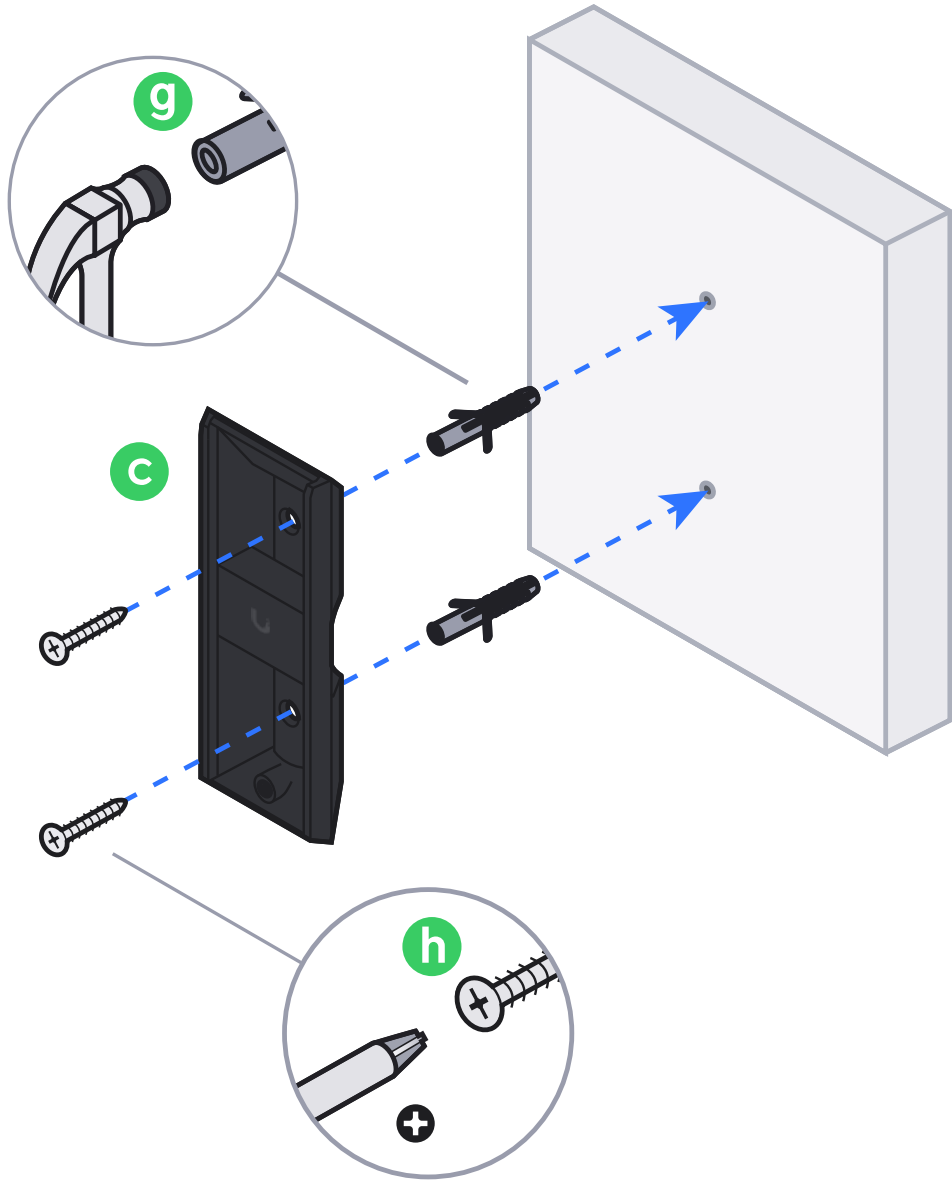


2x

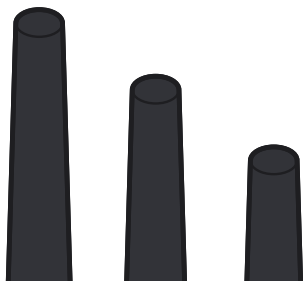
c

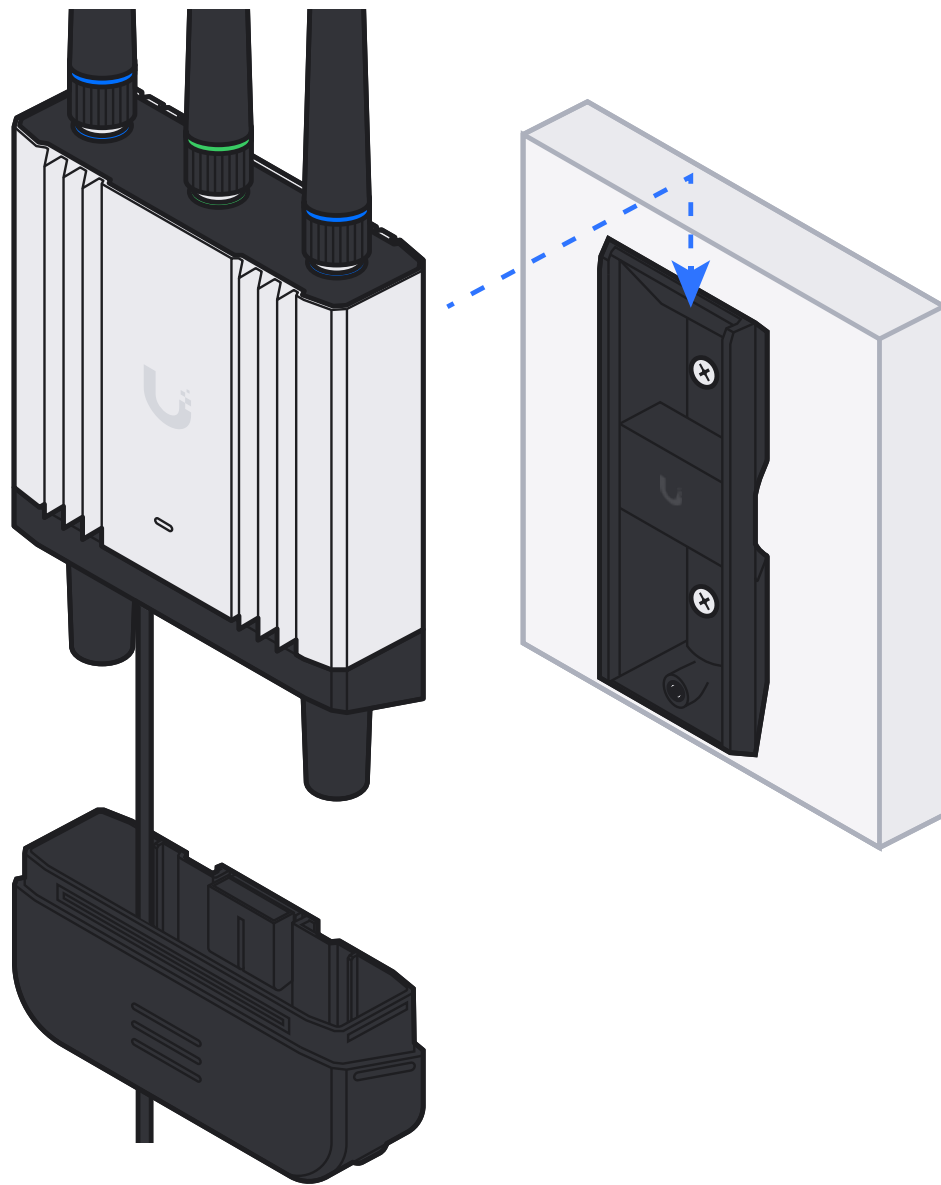
g

h



8





9

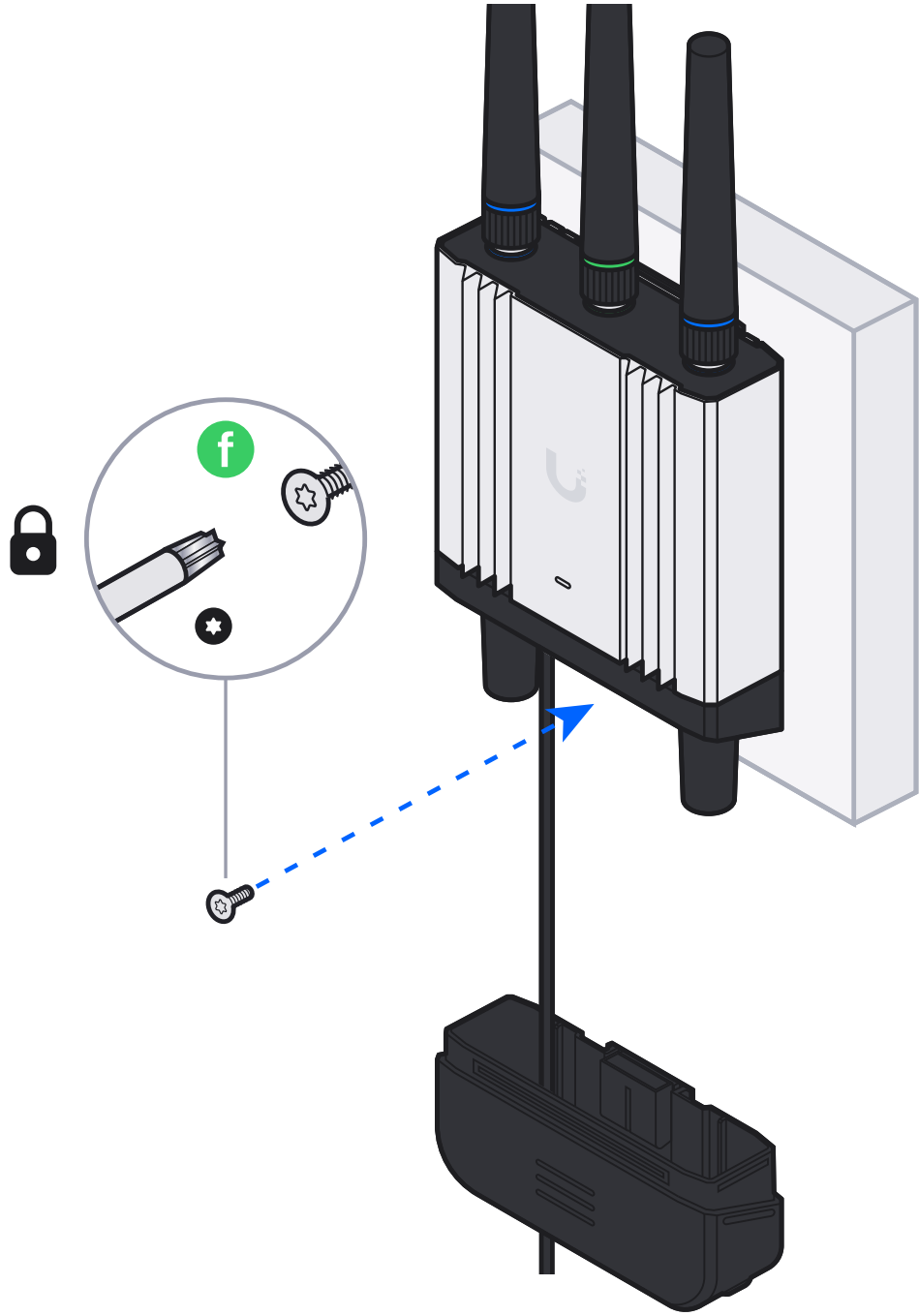


M2.5



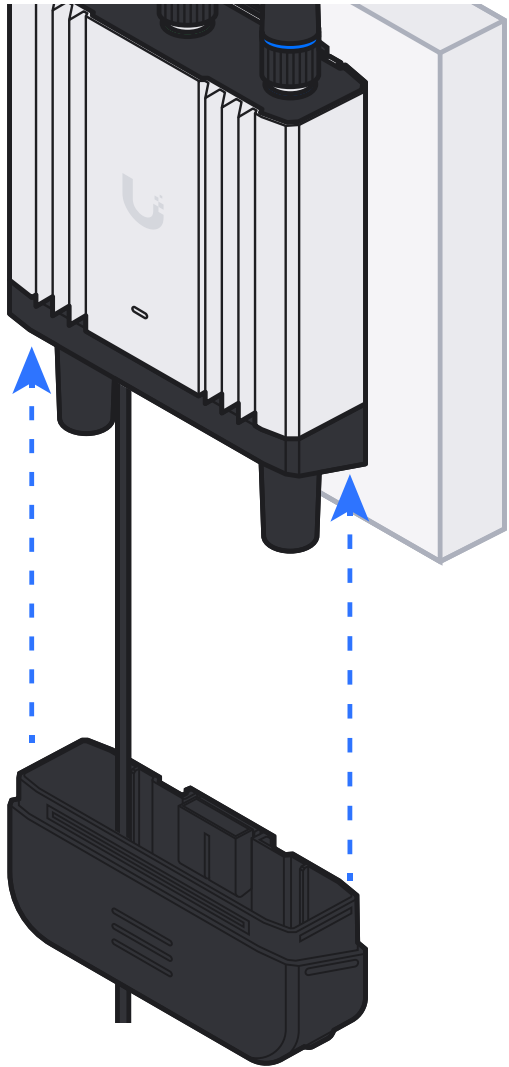
1x









10

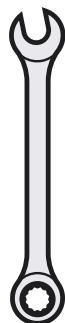




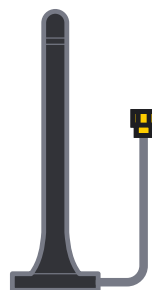
- | | | |
|---|----------------|---|
|  | Steady White | Device ready for setup. |
|  | Steady Blue | Setup successful. Continue at mobility.ui.com . |
|  | Flashing White | Unable to activate SIM. Check SIM PIN and APN. |
|  | Flashing Blue | Unable to connect to the LTE network.
Relocate the device or contact your ISP. |

For more details please visit mobility.ui.com/doc/led.

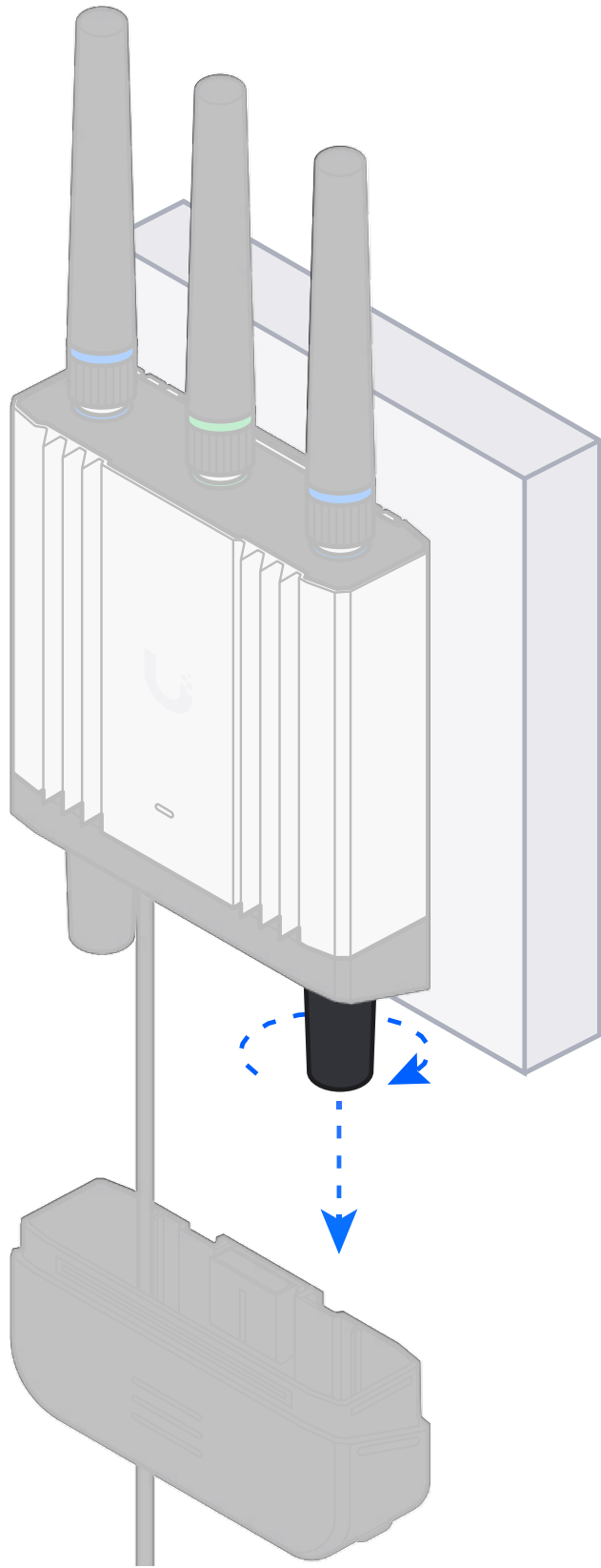
8mm



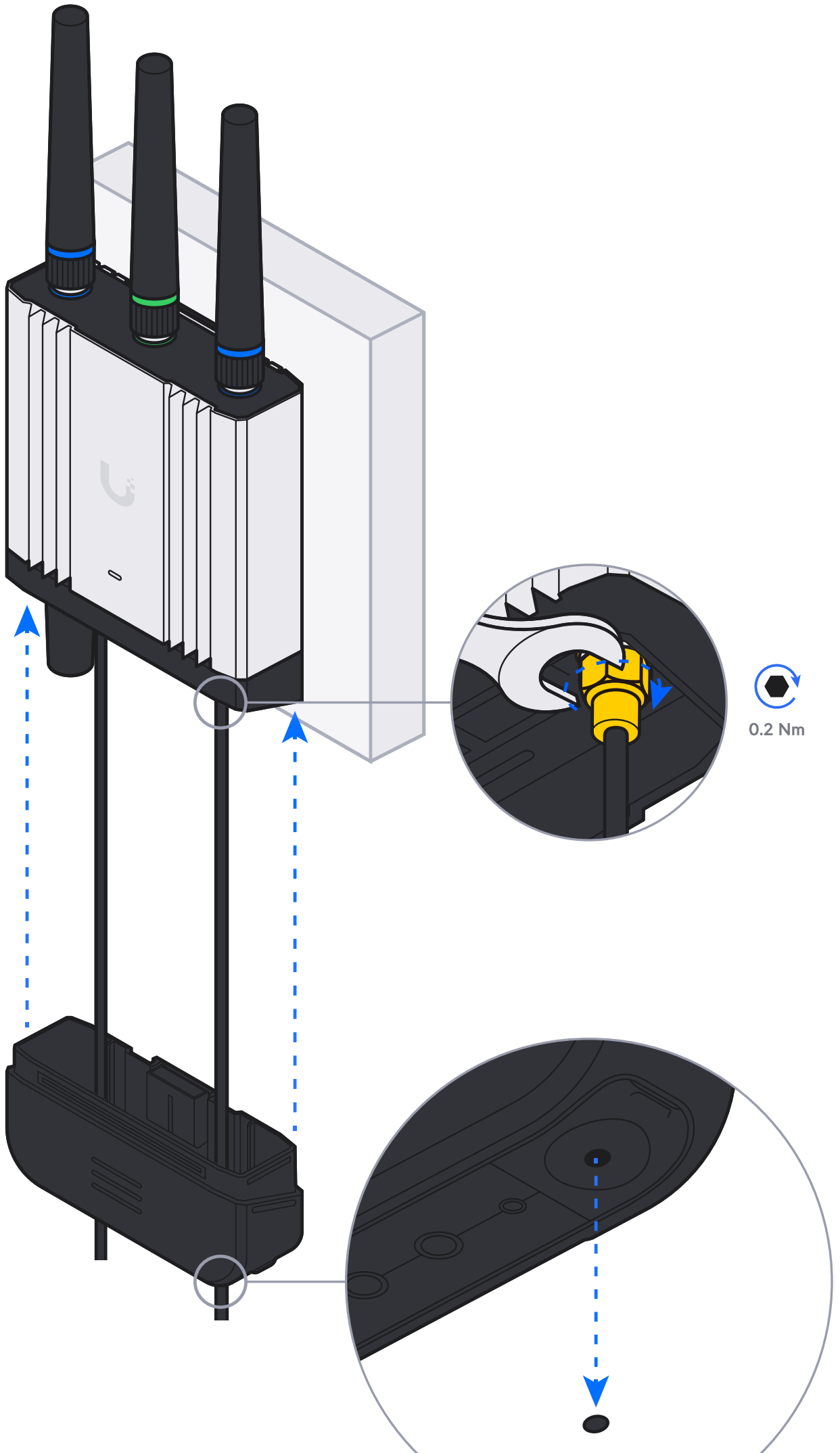
External WiFi Antenna
(RP-SMA Male Type)



1

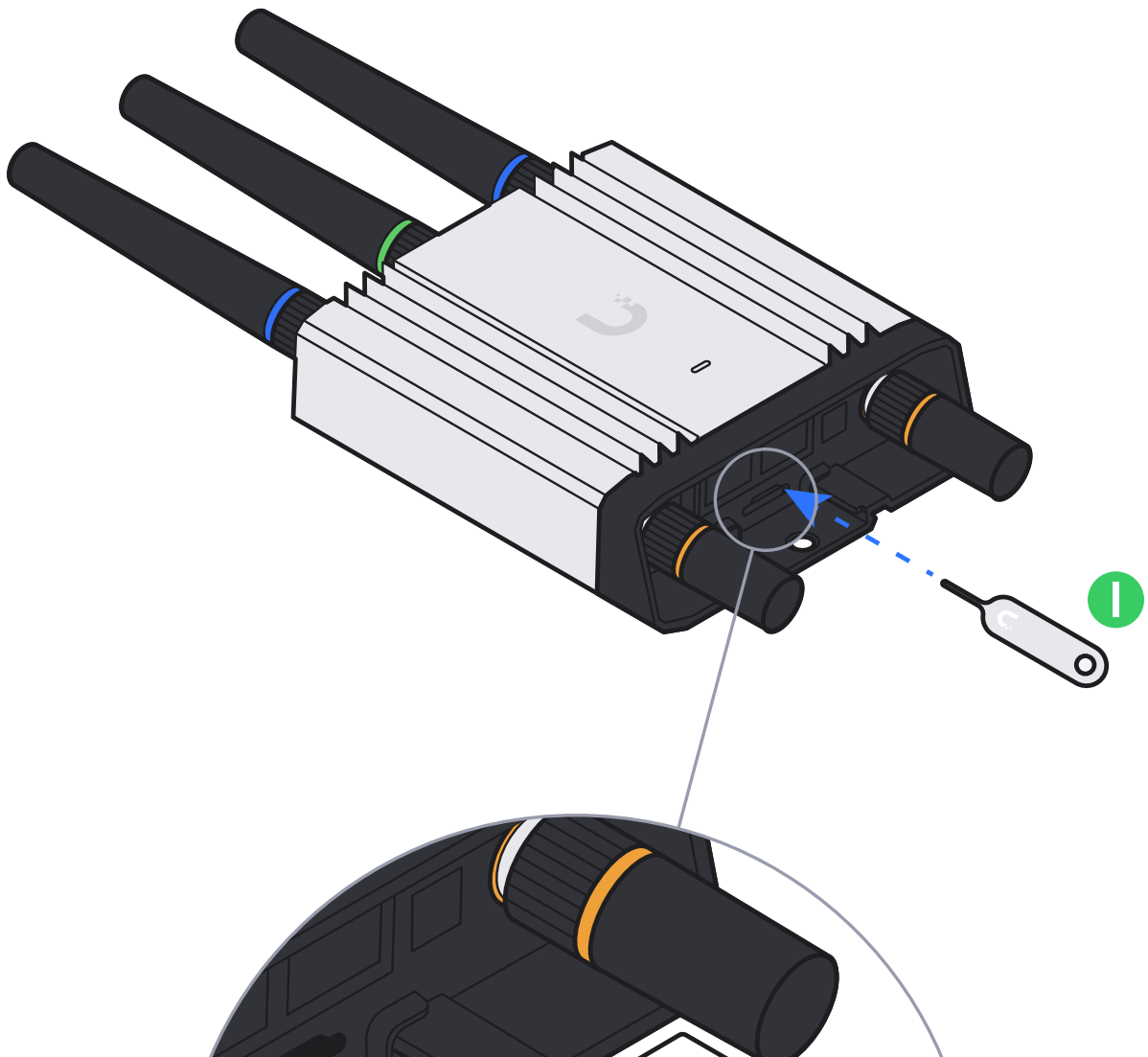


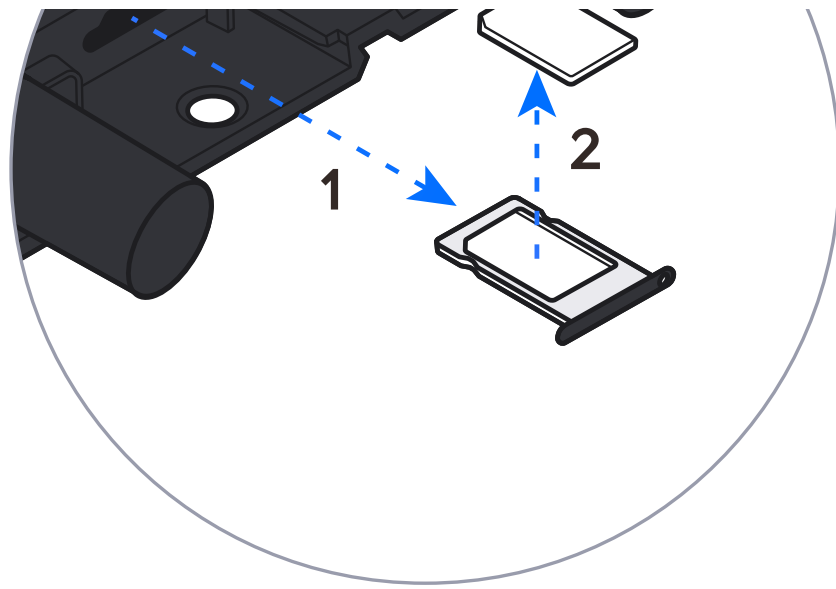
2



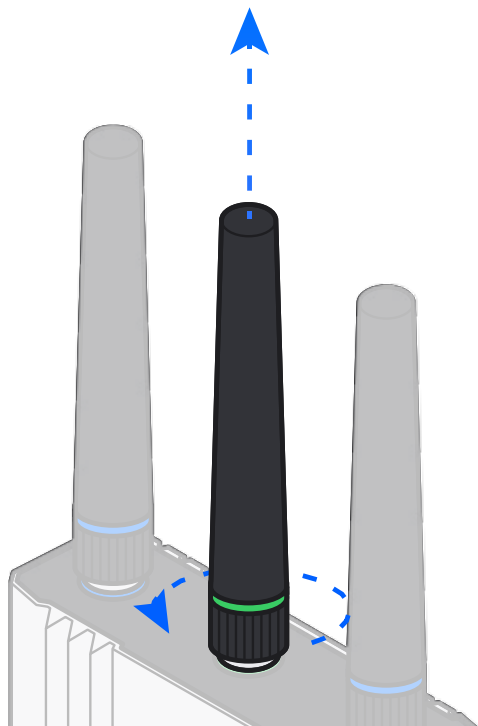


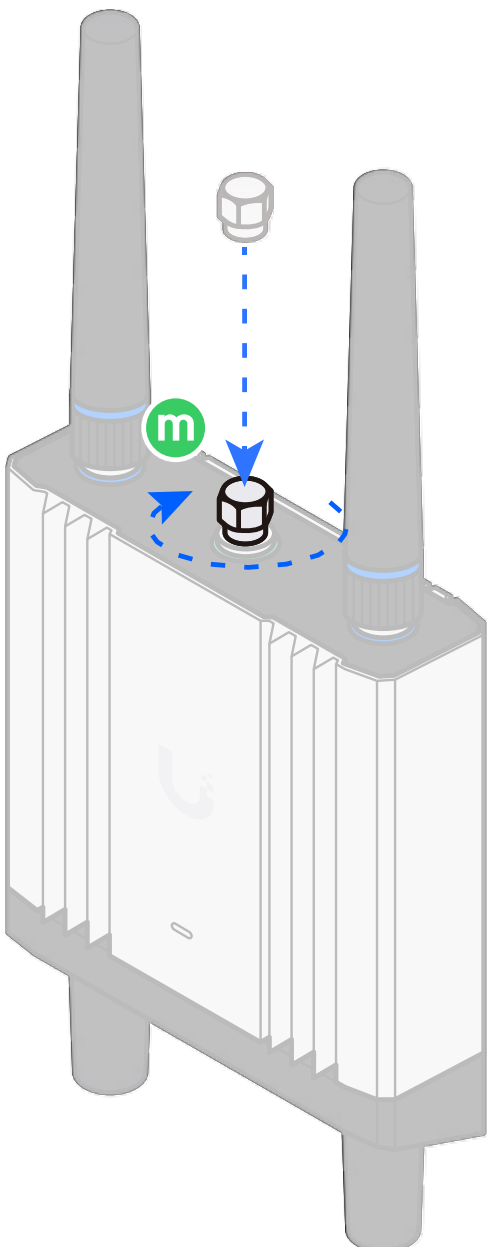
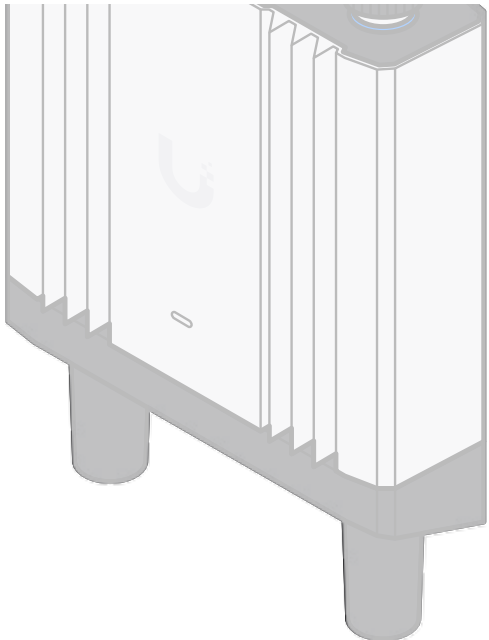
1x





1x





If you need further assistance, visit our [Help Center](#) or contact [Ubiquiti Support](#).

©2024 Ubiquiti Inc. All rights reserved. Ubiquiti, the Ubiquiti U logo, and UniFi are trademarks or registered trademarks of Ubiquiti Inc. in the United States and in other countries.