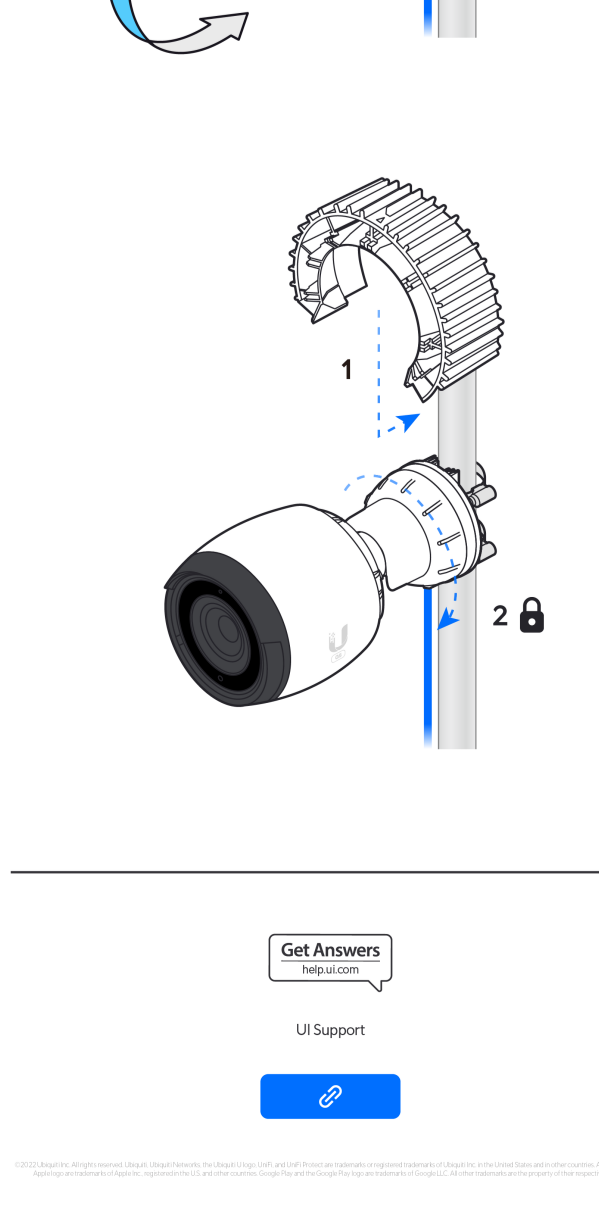
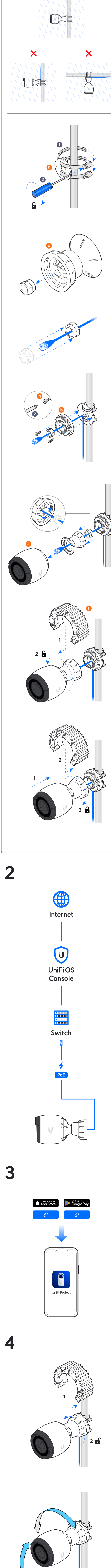
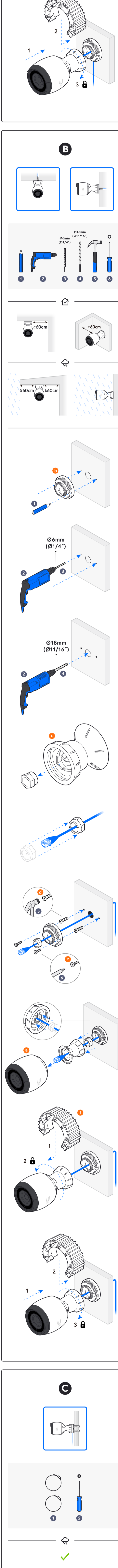


# 1



# 2



# 3



# 4



© 2018 Ubiquiti Networks, Inc. All rights reserved. UniFi is a registered trademark of Ubiquiti Networks, Inc. UniFi Protect is a trademark of Ubiquiti Networks, Inc. UniFi Protect is not an official product of Ubiquiti Networks, Inc. UniFi Protect is not an official product of Ubiquiti Networks, Inc. UniFi Protect is not an official product of Ubiquiti Networks, Inc. UniFi Protect is not an official product of Ubiquiti Networks, Inc.