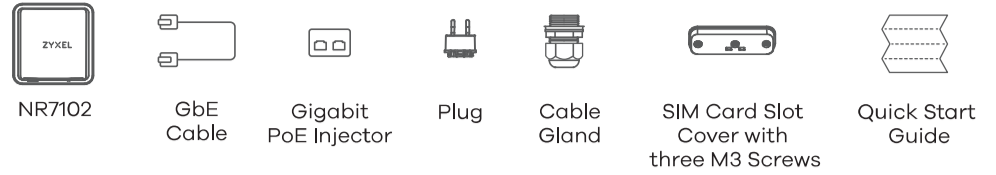


NR7102

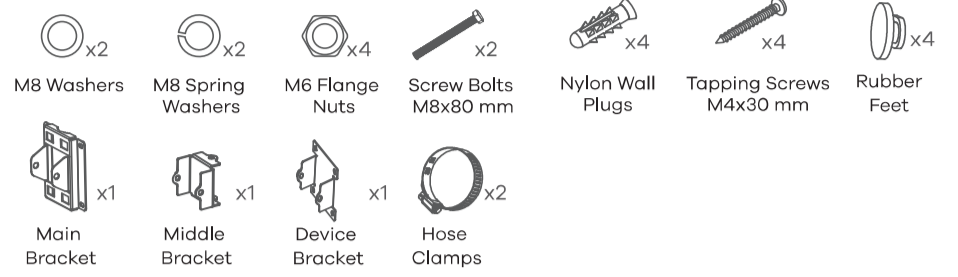
5G New Radio Outdoor Router



Package Contents



Mounting Kit



Support Information

EU
<https://support.zyxel.eu>

See the User's Guide at www.zyxel.com for more information, including customer support and safety warnings.

EU Importer
 Zyxel Communications A/S
 Gladsaxevej 378, 2. th. 2860 Søborg, Denmark.
<https://www.zyxel.com/dk/da/>

UK Importer
 Zyxel Communications UK Ltd.
 2 Old Row Court, Rose Street, Wokingham,
 RG40 1XZ, United Kingdom (UK)
<https://www.zyxel.com/uk/en/>

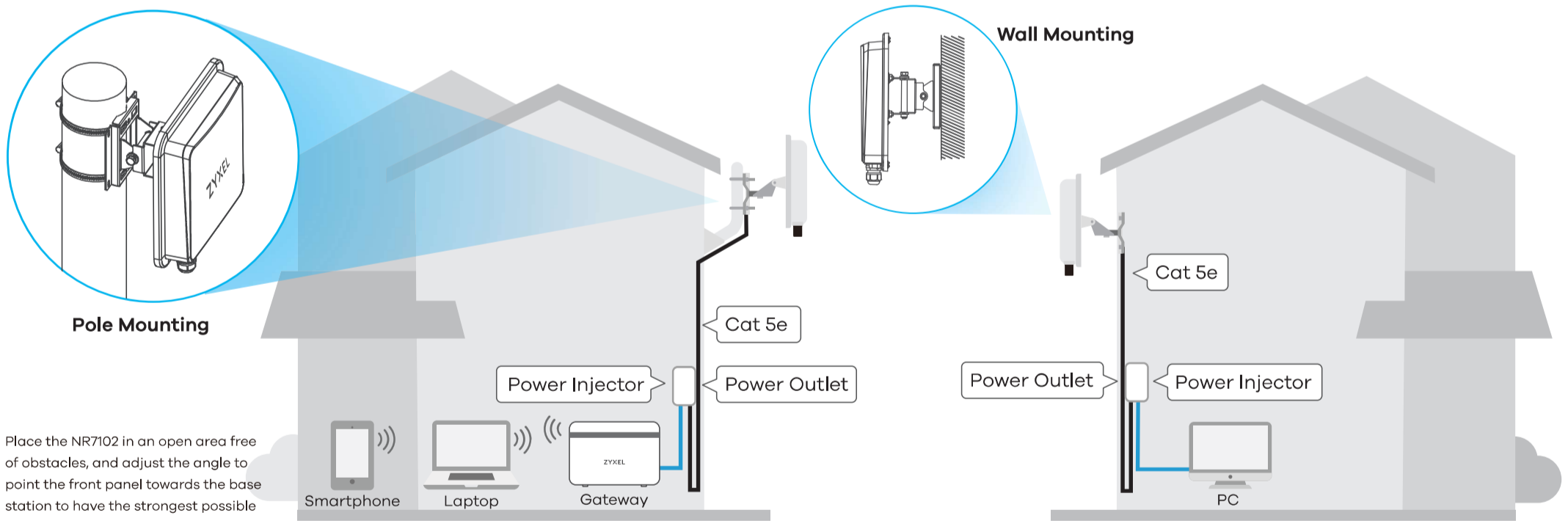
Safety Warnings & EU DECLARATION OF CONFORMITY



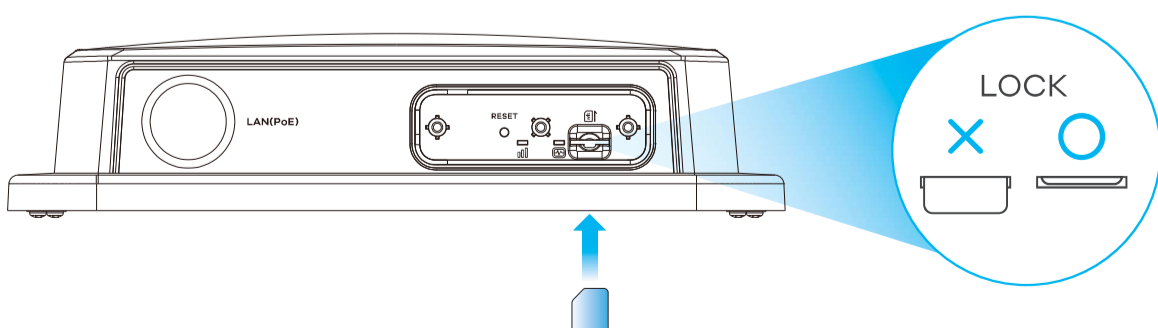
Copyright © 2021 Zyxel and/or its affiliates. All Rights Reserved.

Quick Start Guide

Location Examples

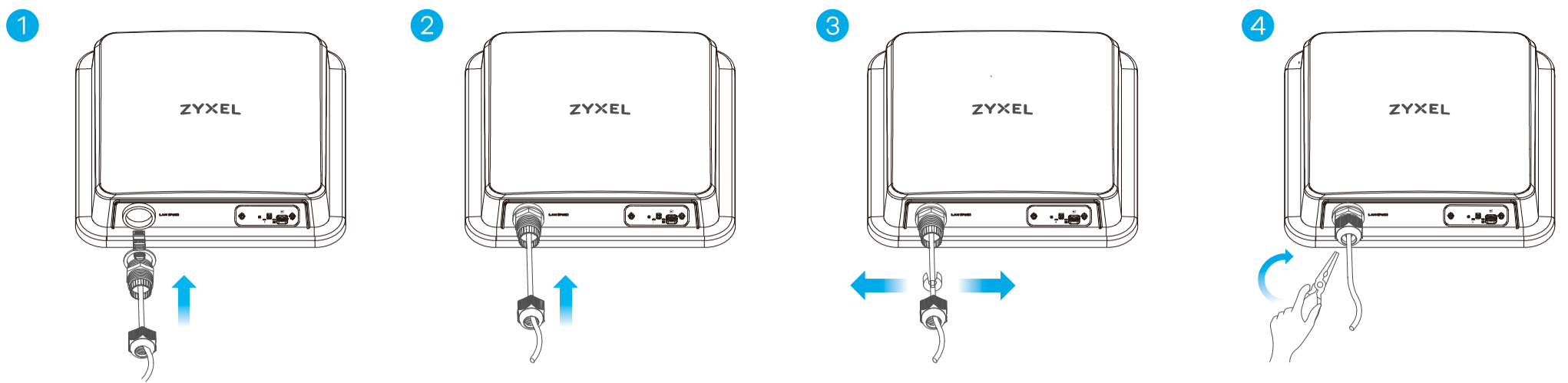


Step 1 SIM Card Installation



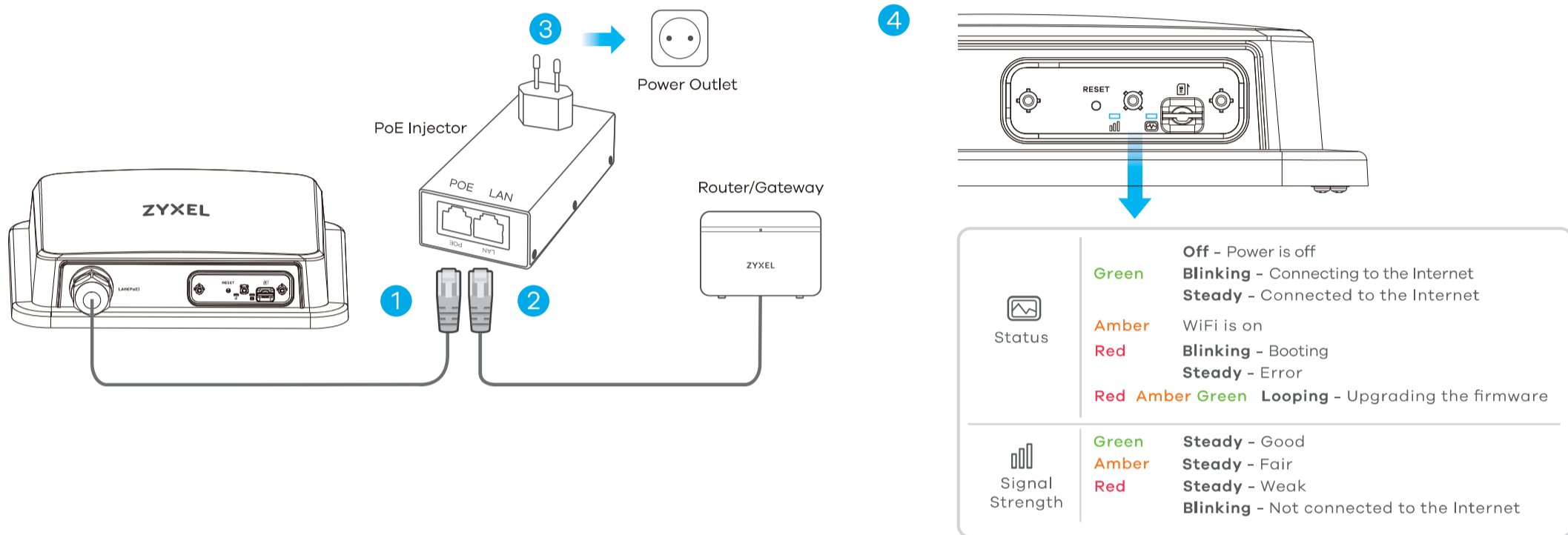
Make sure there is no Ethernet cable connected providing power using PoE.
 Insert your Micro/3FF SIM card provided by a 5G NR SP (Internet Service Provider) into SIM card slot. Make sure the SIM card is fully inserted into the card slot.

Step 2 Cable Connections



1-4 Follow steps 1 to 4 in the drawing to connect an 8-pin Cat 5e Ethernet cable to the NR7102's LAN port.

Step 3 Cable Connections



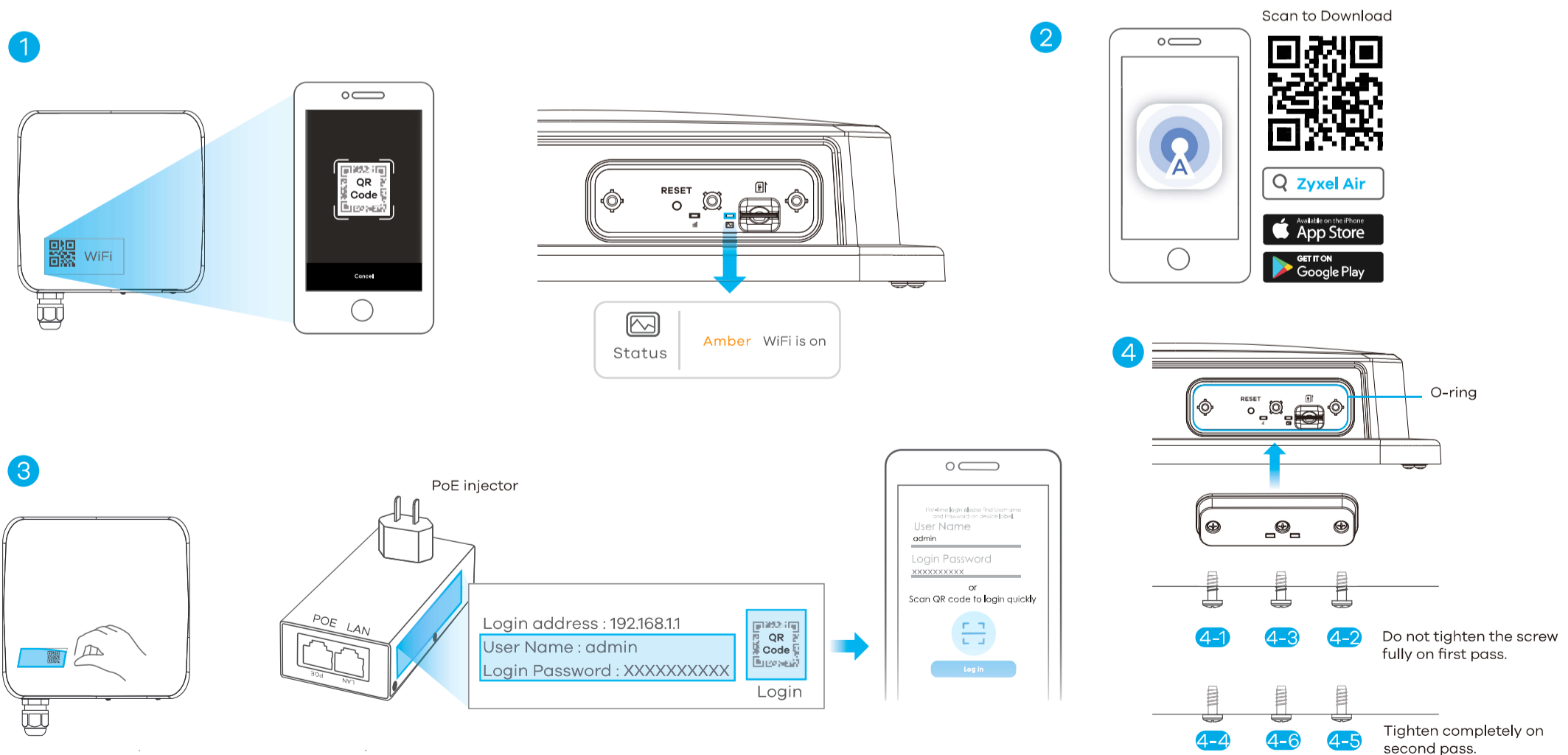
1 Connect the other end of the Ethernet cable to the provided PoE injector's POE port.

2 Use an Ethernet cable to connect the injector's LAN port to a router/gateway for initial configuration.

3 Connect the PoE injector to a power outlet.

4 Check the LEDs next to the SIM card slot.

Step 4 Connecting to Your NR7102's WiFi for Easy Setup



1 Scan the WiFi QR code on the device label then follow the prompts to connect to the WLAN on your mobile device. If you cannot connect to the NR7102 WiFi, check if WiFi is on. If not, press the **RESET** button for 2 seconds to reboot the NR7102 to enable WiFi.


2 Scan the QR code to download the Zyxel Air app or use the Web Configurator (see next) to manage the NR7102.

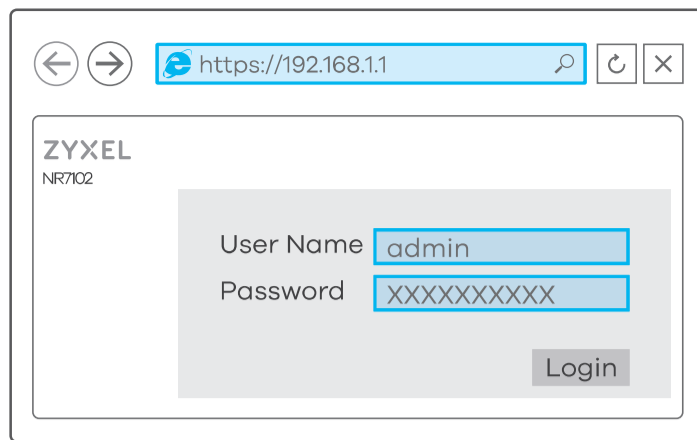
3 Remove the label from the back of the NR7102 and put it on the injector. Scan the Login QR code to use the default user name and password to log in the Zyxel Air app for the first time.

4 Make sure the o-ring is in the correct position. Screw the SIM card slot cover into place according to the sequence shown. Make sure the cover is in the correct position and tightly screwed to the NR7102.

Configuring Your NR7102 (Optional)

 <https://192.168.1.1>

 User Name: **admin**
Login Password: **XXXXXXXXXX**

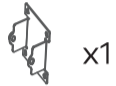


Open a web browser and go to <https://192.168.1.1>. Enter the default user name (admin) and password (see label), and then click **Login**.

Note: After configuring the NR7102, turn its WiFi off.

Step 5 Pole / Wall Mounting (Option 1): Supports Tilt and Turn

Device Bracket



x1

M8 Spring Washers



x2

M6 Flange Nuts



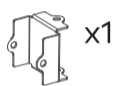
x4

M8 Washers



x2

Middle Bracket



x1

Main Bracket

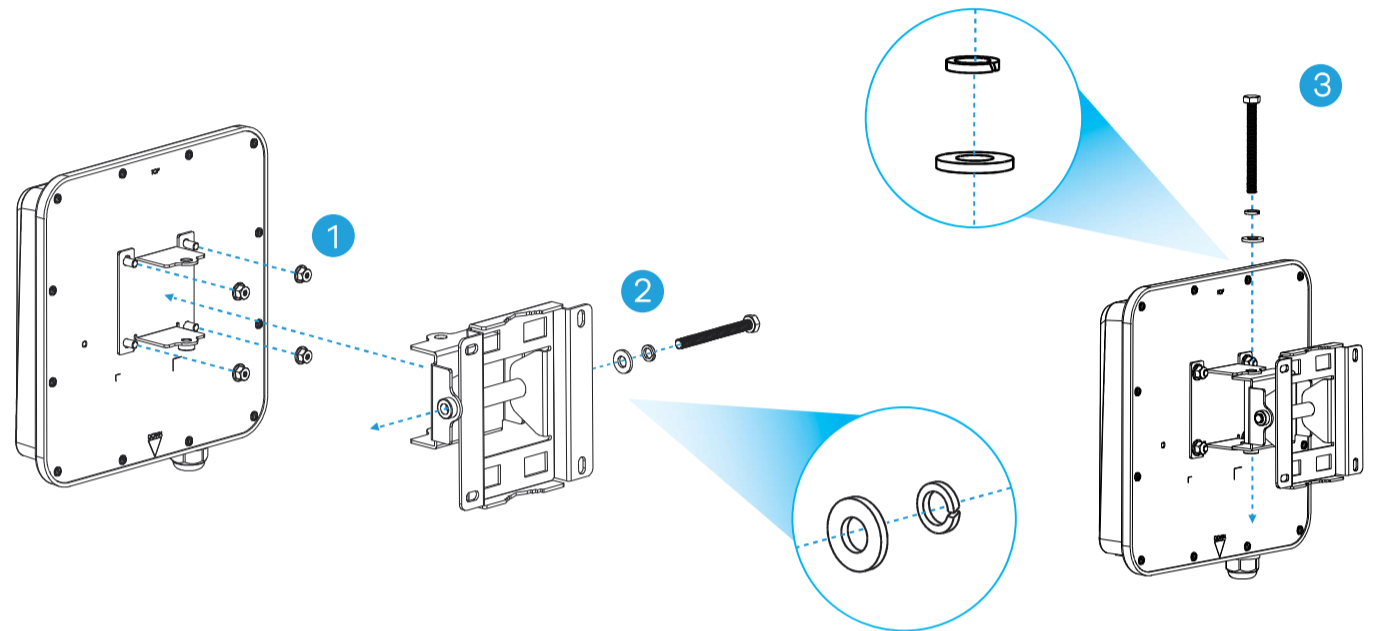


x1

Screw Bolts M8



x2



① Use flange nuts to attach the device bracket to the back of the NR7102.

② Follow step 2 in the drawing to align the main bracket with the middle bracket. Place the spring washer and washer on the screw bolt and insert the screw bolt through the holes to secure it.

③ Follow step 3 in the drawing to align the middle bracket with the device bracket. Place the spring washer and washer on the screw bolt and insert the screw bolt through the holes to secure it.

Pole / Wall Mounting (Option 2): Supports Tilt or Turn Only

Device Bracket



x1

M6 Flange Nuts



x4

Main Bracket



x1

Screw Bolts M8



x1

M8 Spring Washer

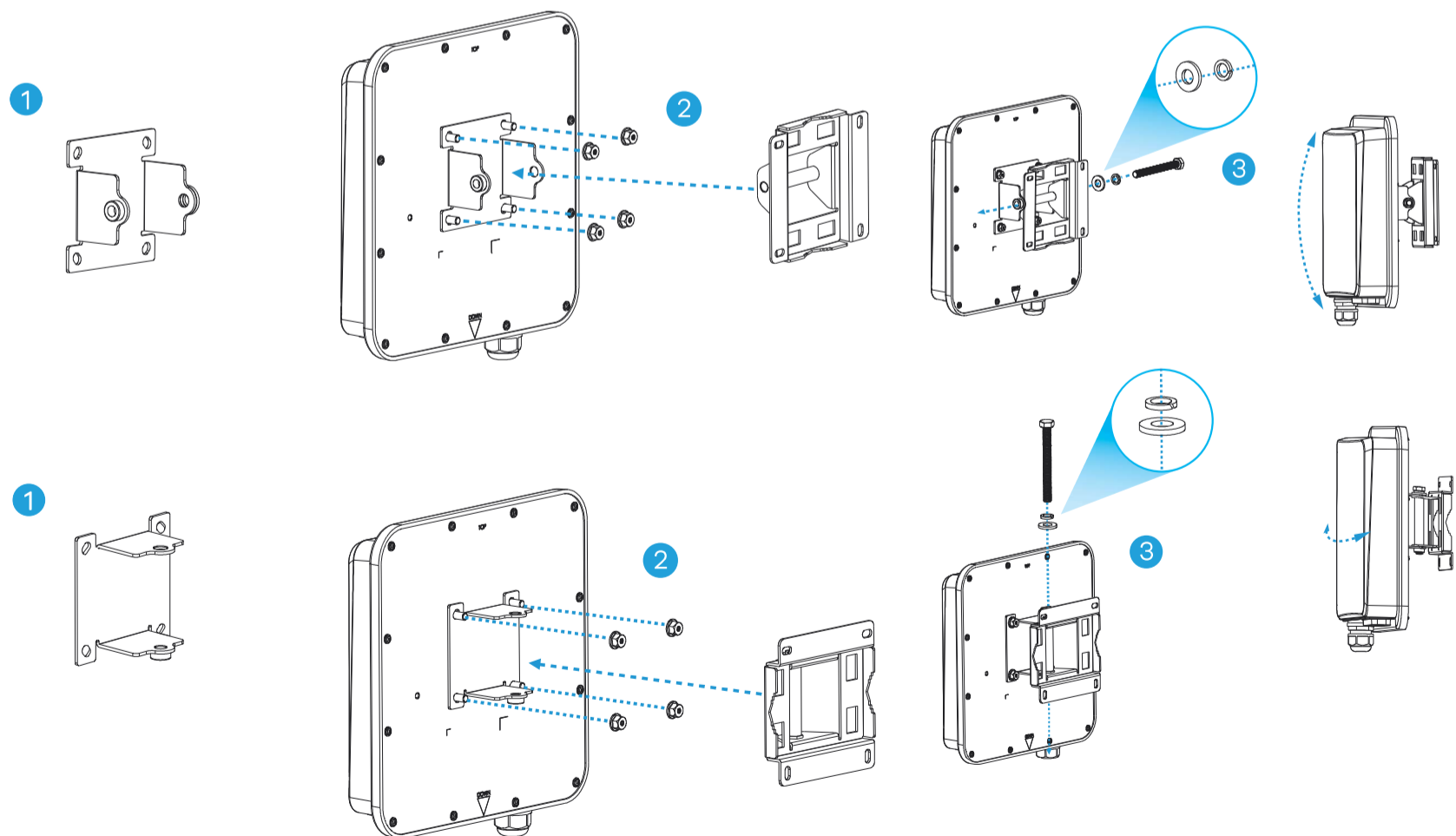


x1

M8 Washer



x1



① Select the wall / pole mounting direction (horizontal or vertical).

② Use flange nuts to attach the device bracket to the back of the NR7102.

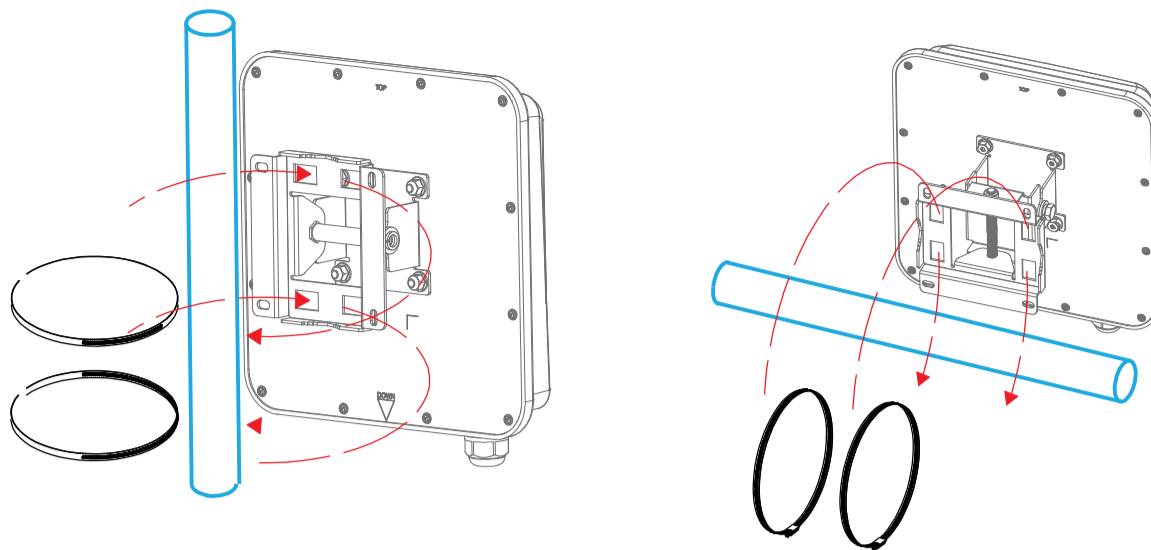
③ Follow step 3 in the drawing to align the main bracket with the device bracket. Place the spring washer and washer on the screw bolt and insert the screw bolt through the holes to secure it.

Pole Mounting (Optional)

Hose Clamps



x2



Insert the hose clamps into the holes on the main bracket. Use a screwdriver to tighten the hose clamps and secure the main bracket to the pole.

Wall Mounting (Optional)

Nylon Wall Plugs

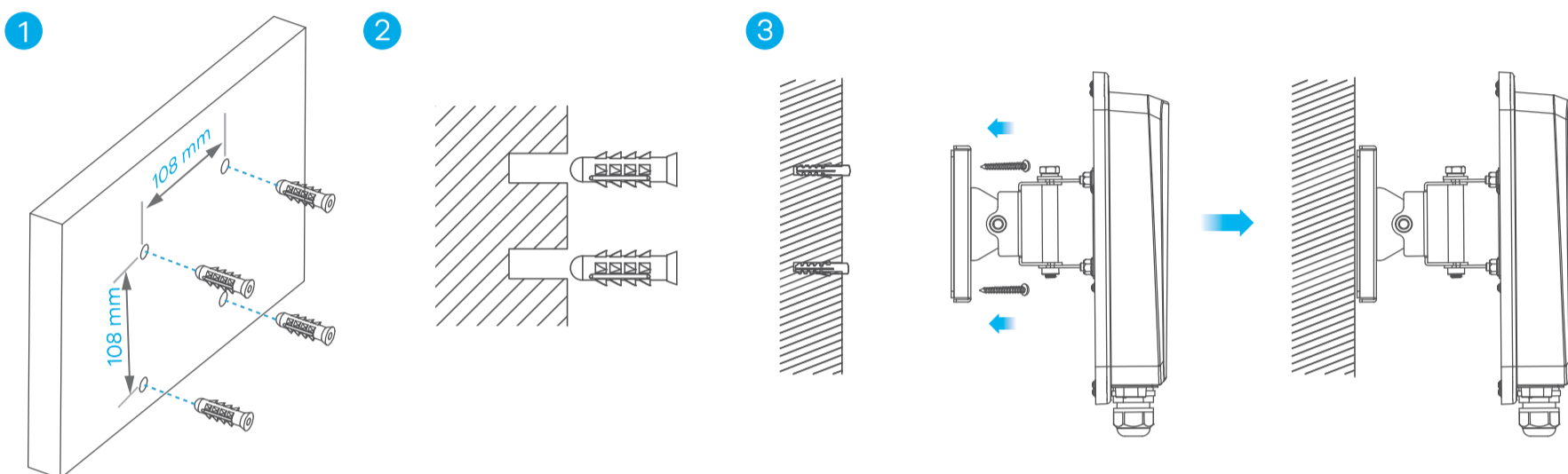


x4

M4 Tapping Screws



x4



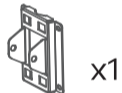
① Use the four corner holes of the main bracket to mark holes on a wall. Drill four holes in a wall.

② Insert the nylon wall plugs into the holes.

③ Use mounting screws to secure the main bracket to the wall through the nylon wall plugs.

Table Stand (Optional)

Main Bracket



x1

M8 Screw Bolts



x2

M6 Flange Nuts



x2

Middle Bracket



x1

M8 Spring Washers



x2

Rubber Feet



x4

Device Bracket

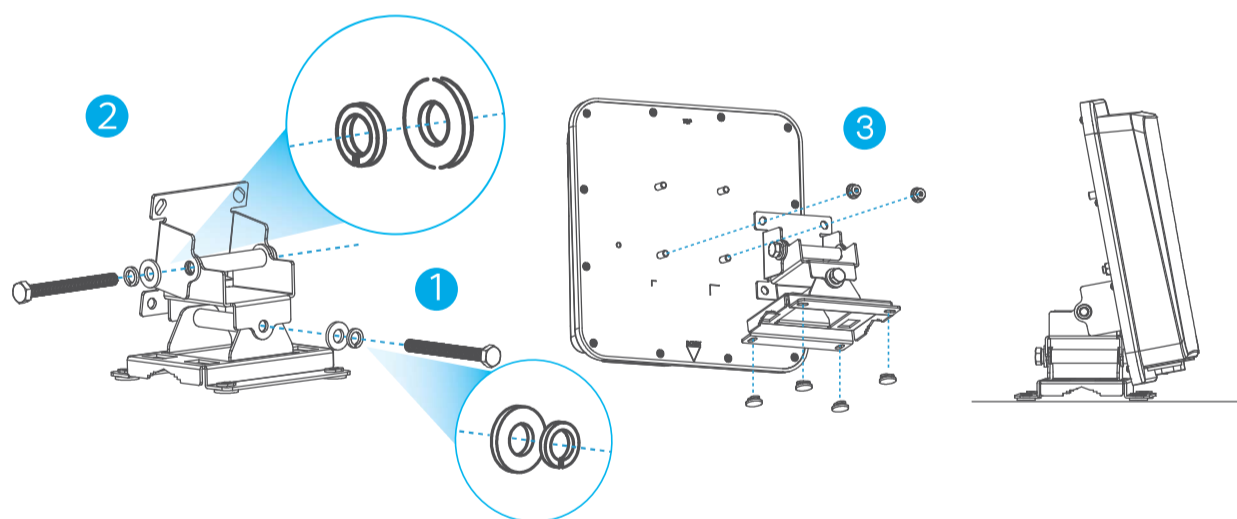


x1

M8 Washers



x2

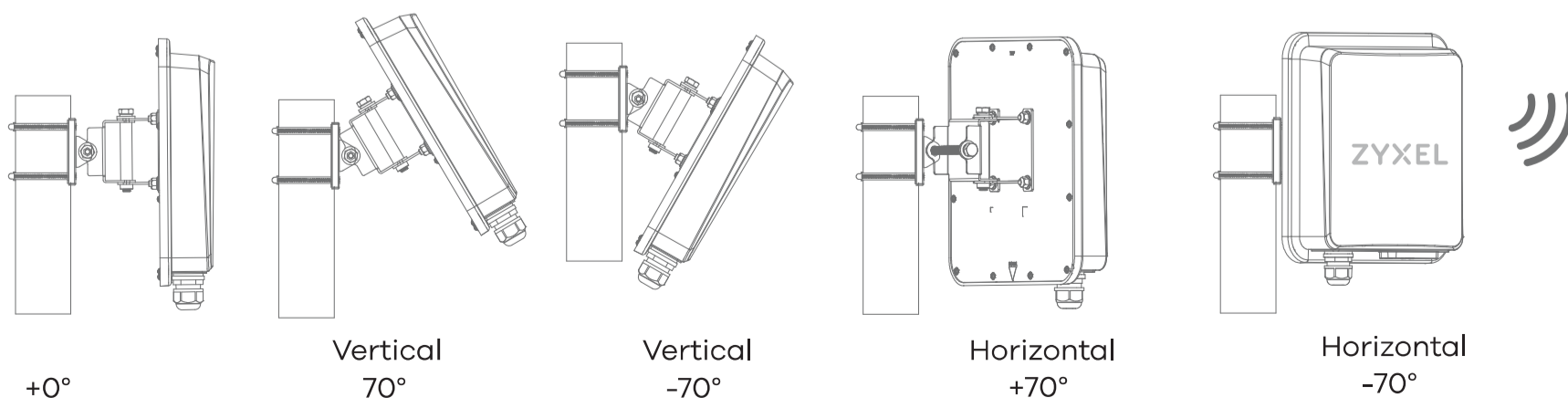


① Follow step 1 in the drawing to align the middle bracket with the main bracket. Place the spring washer and washer on the screw bolt and insert the screw bolt through the holes to secure it.

② Follow step 2 in the drawing to align the middle bracket with the device bracket. Place the spring washer and washer on the screw bolt and insert the screw bolt through the holes to secure it.

③ Use two M6 flange nuts to attach the back of the NR7102 to the device bracket. Attach the four rubber feet to the main bracket.

Step 6 Pole / Wall Mounting Angle Adjustment



Use the Zyxel Air app to find the optimal 5G NR signal strength and manage your NR7102.