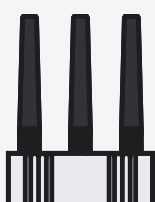
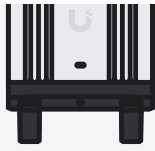


1





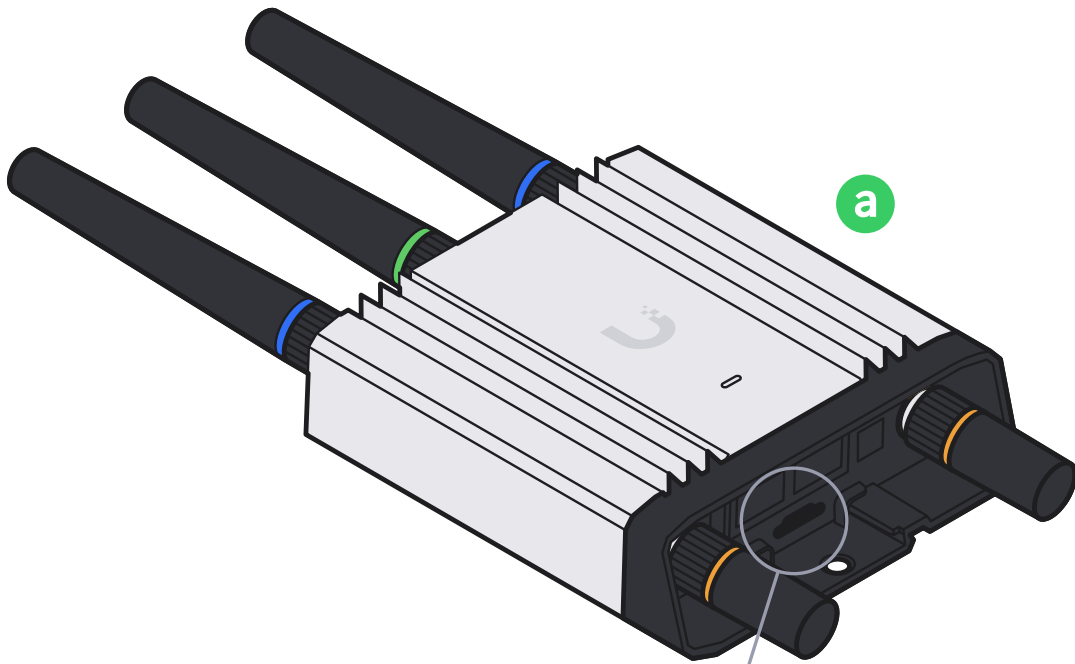
1x

a



1x

e



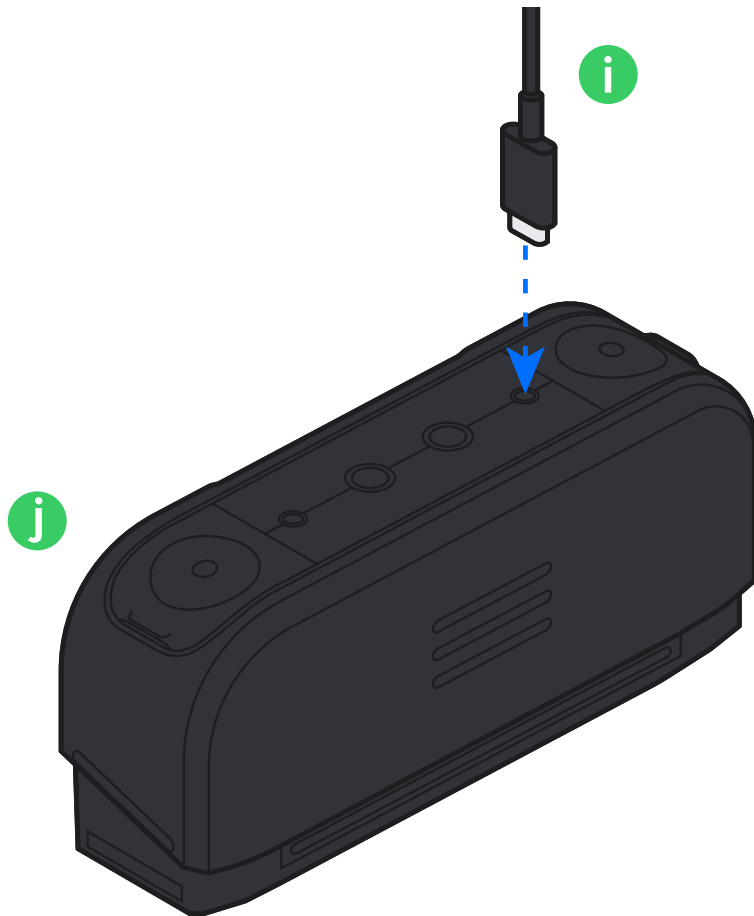
2



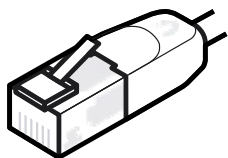
1x



1x

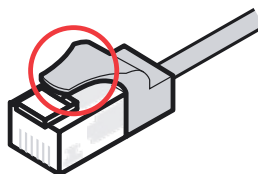
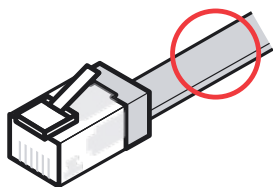
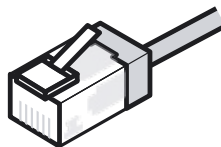


3

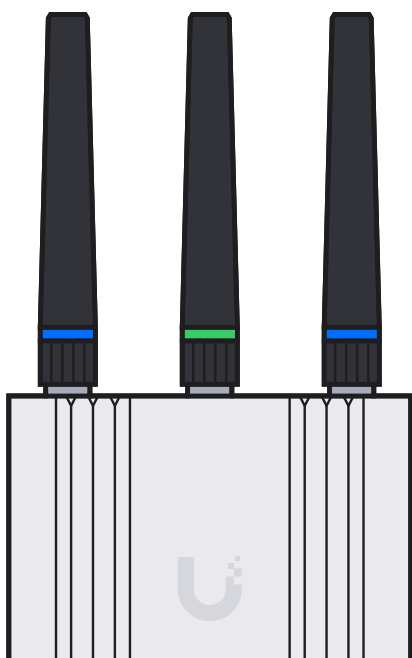


UniFi Patch Cable Outdoor

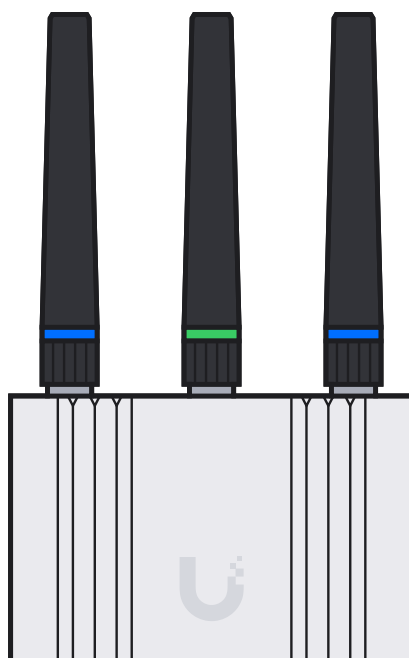
[Buy >](#)

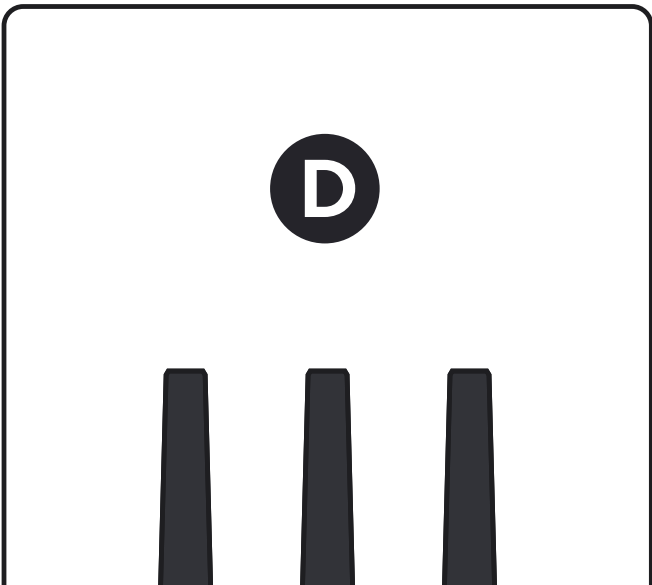
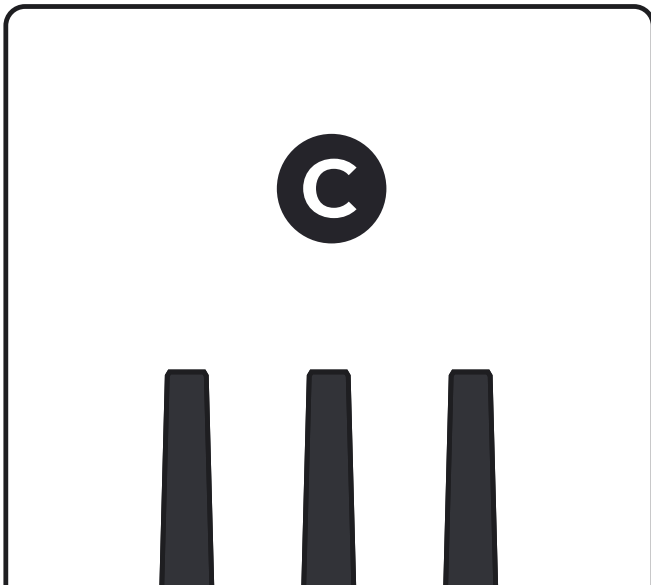
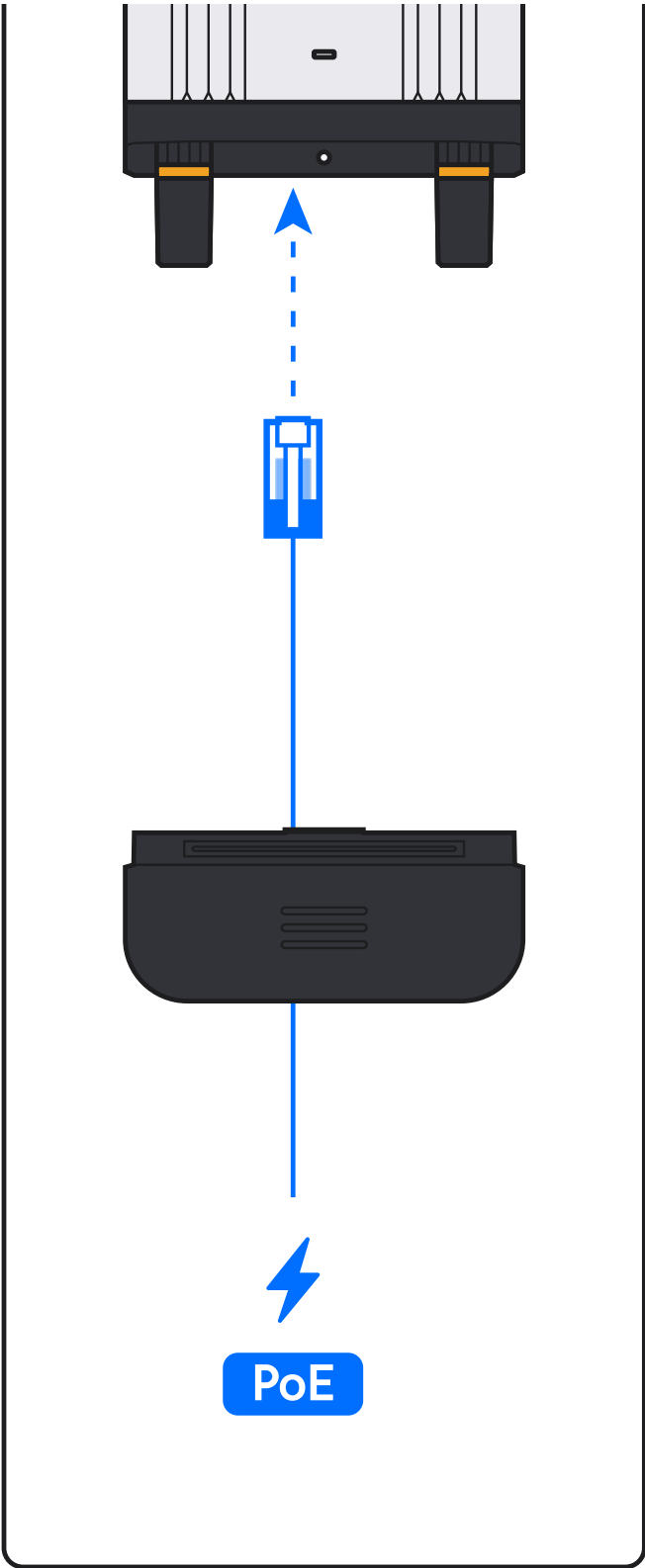
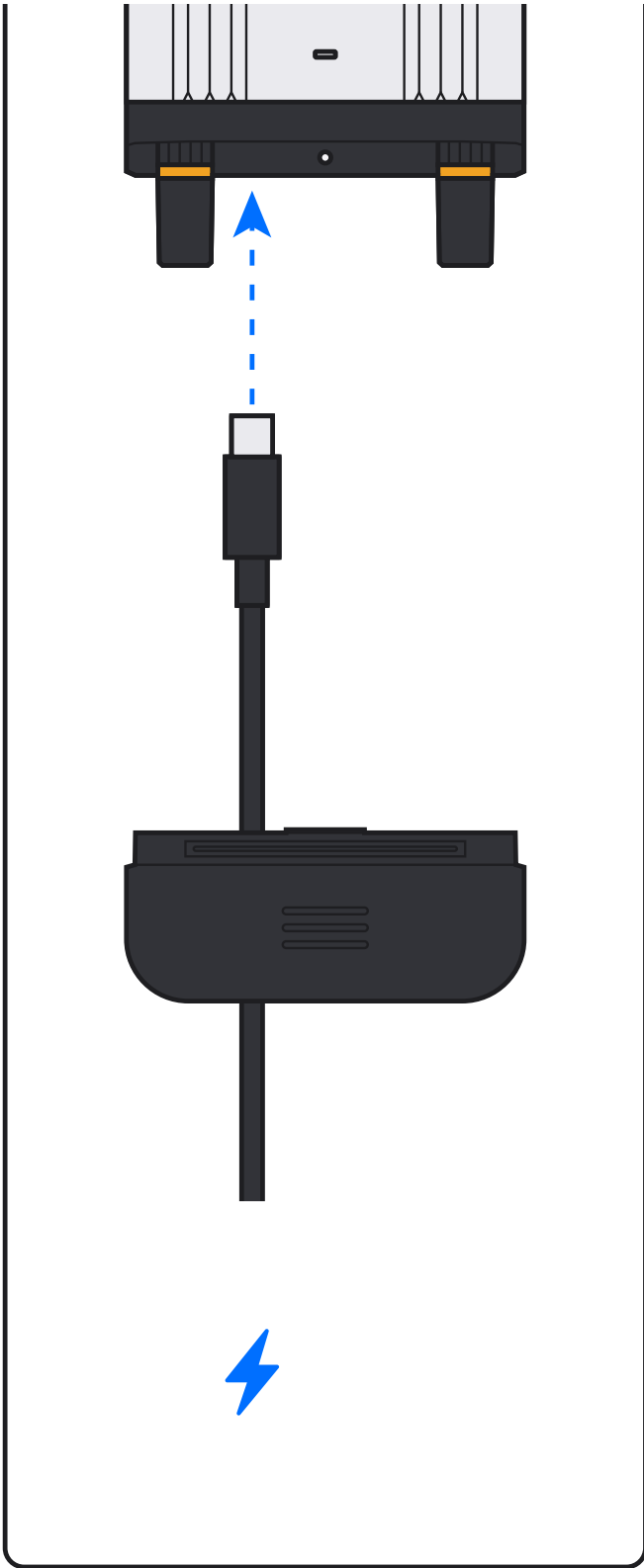


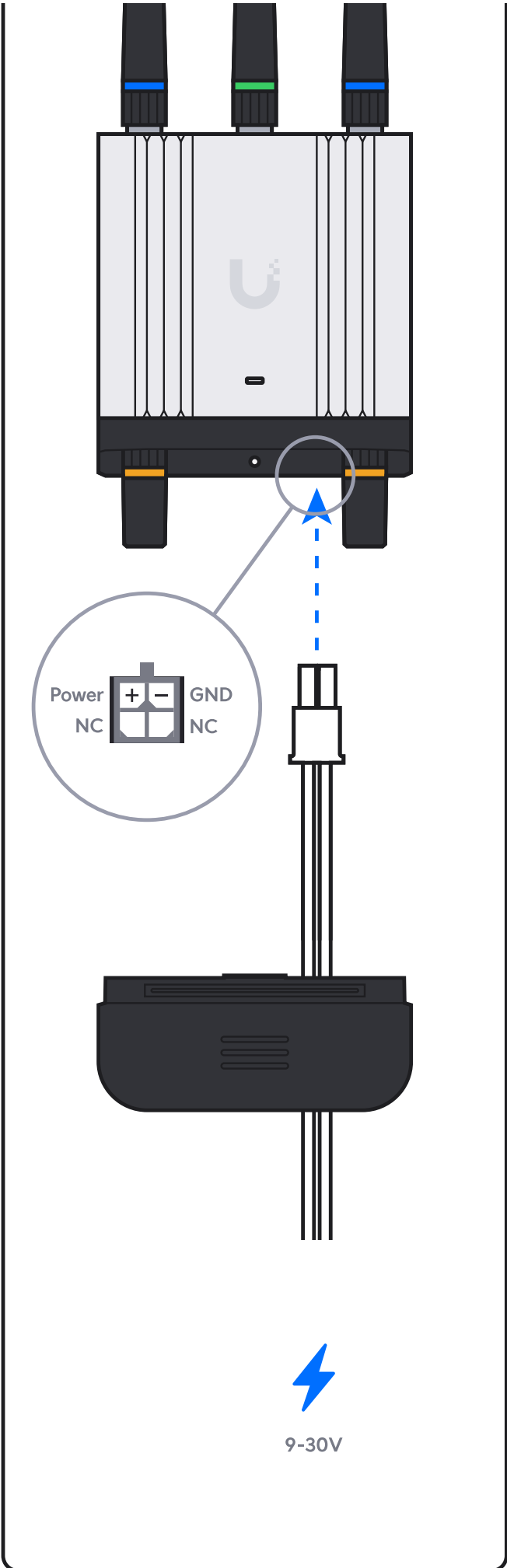
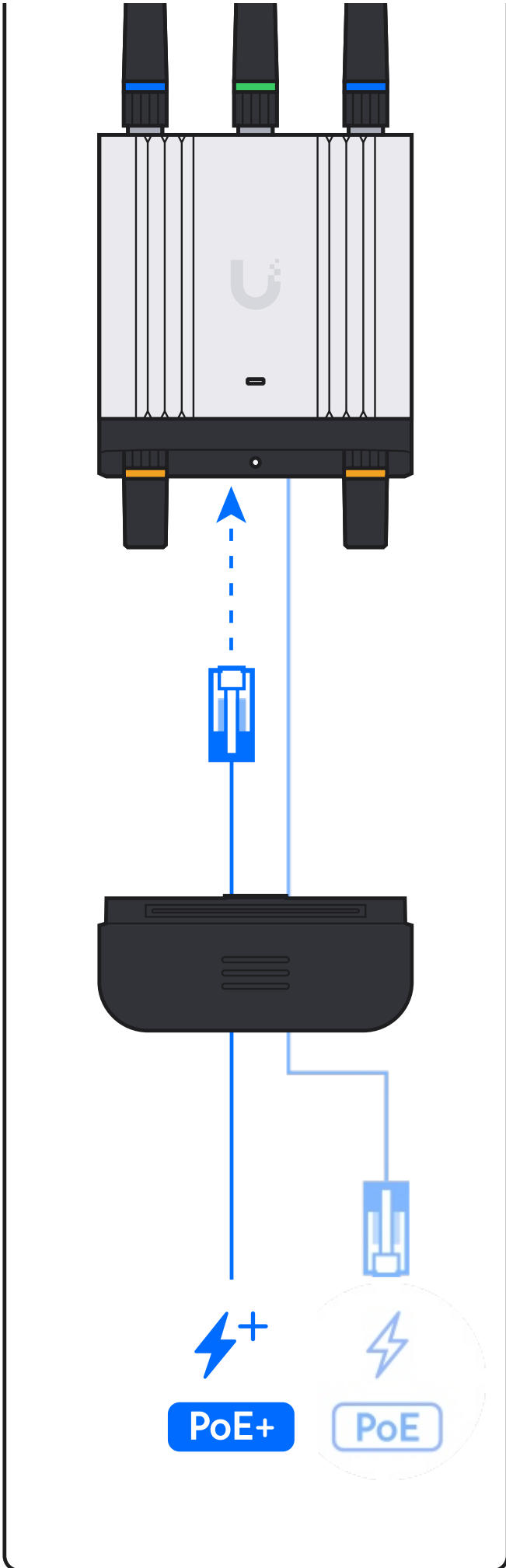
A



B



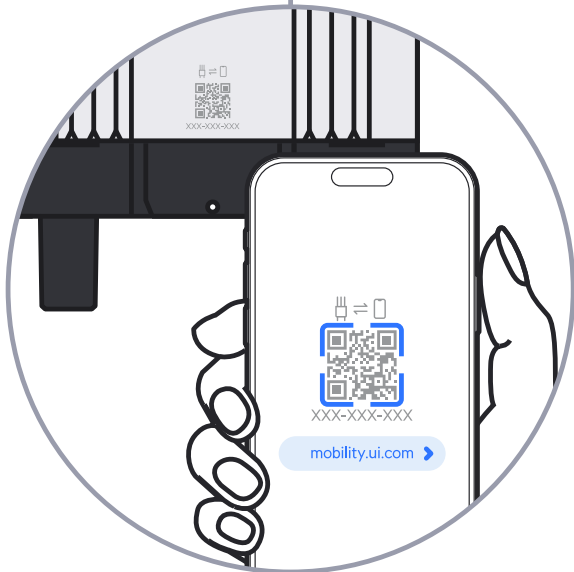
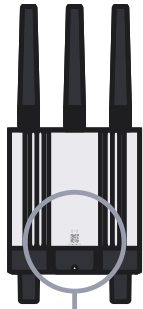




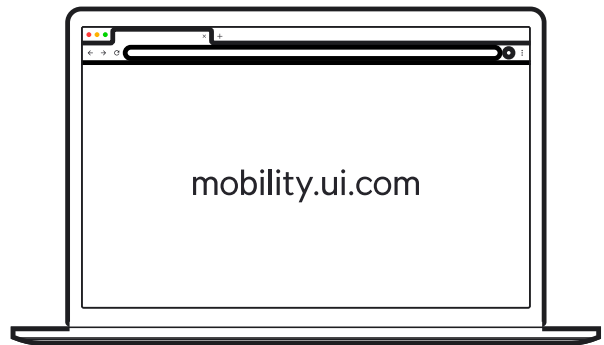
Power on and initialize (up to 2.5 min).

4

A



B



5



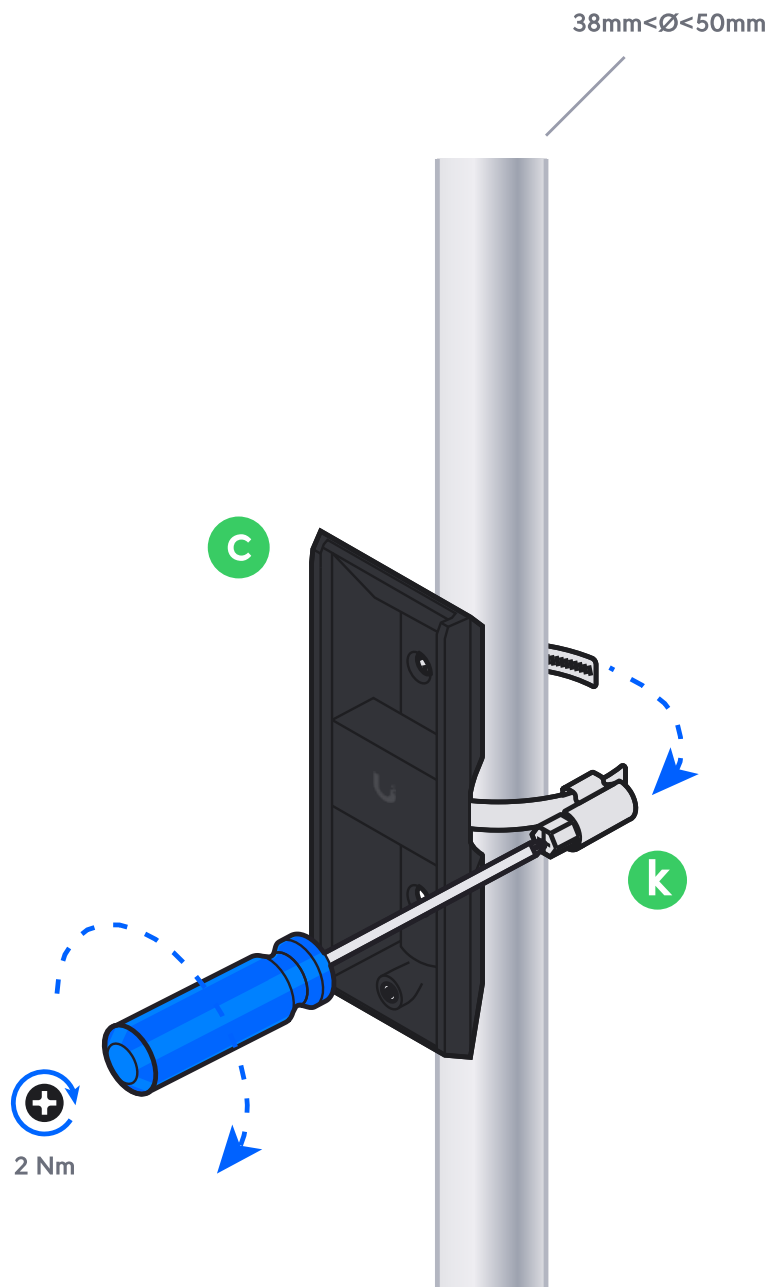
1x

C

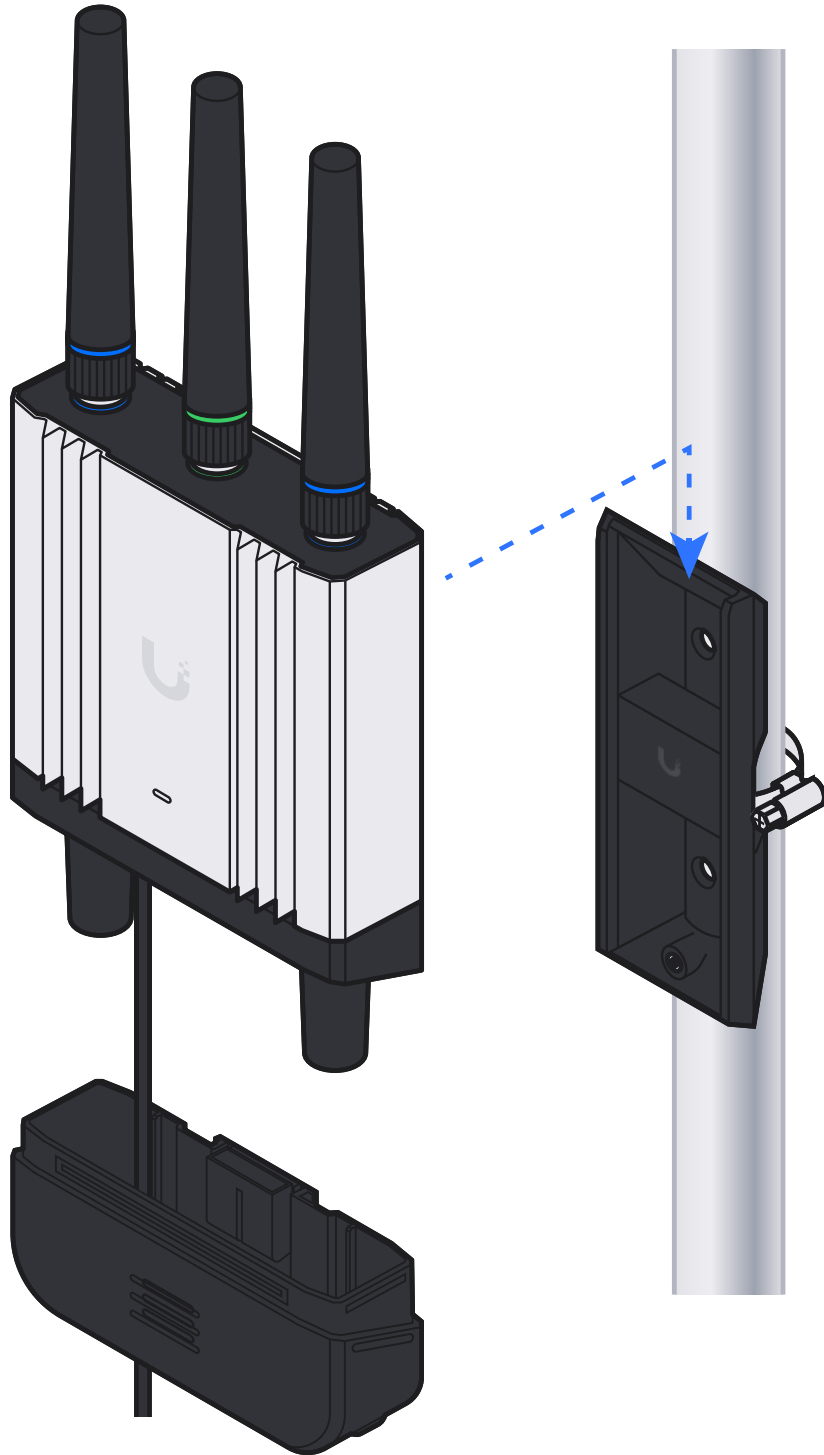


1x

K



6



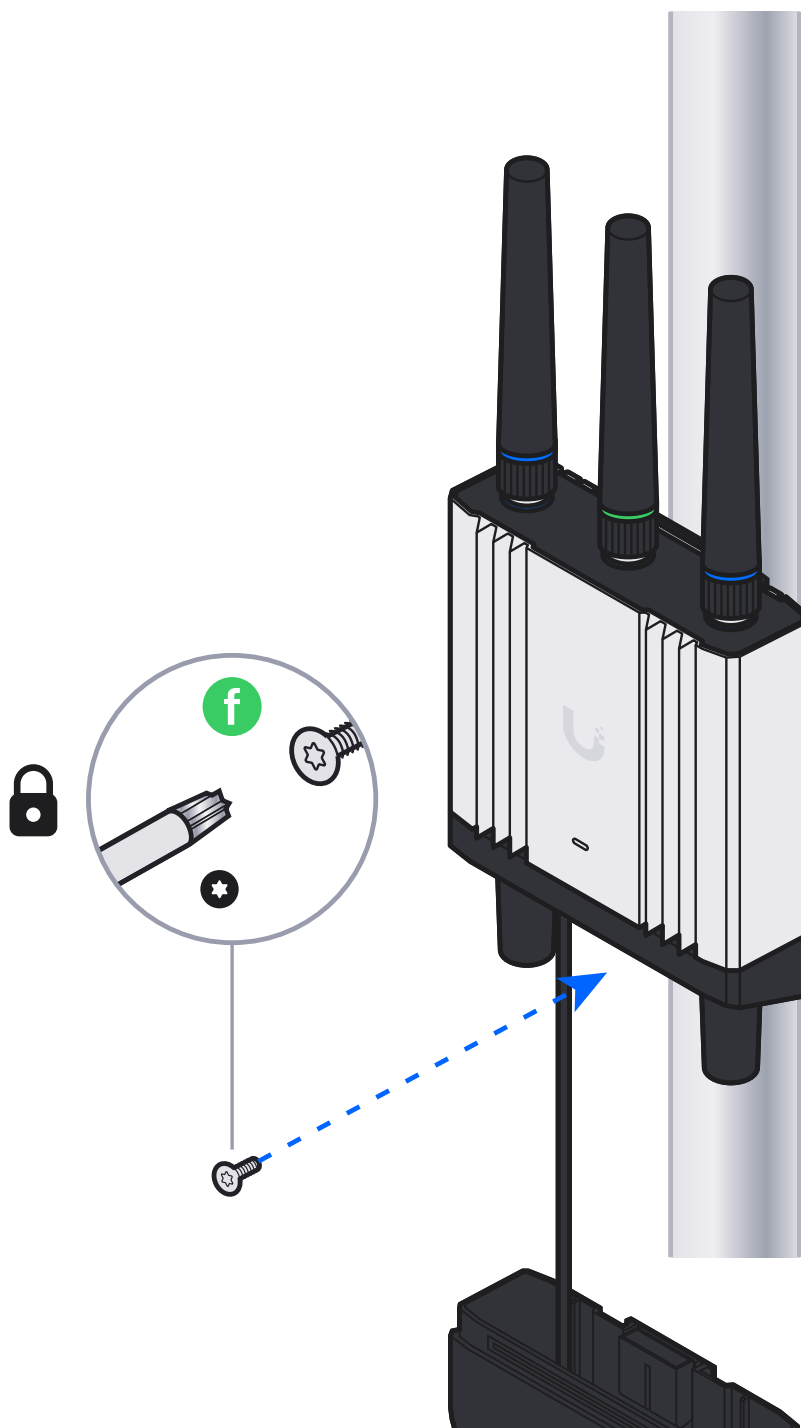
7



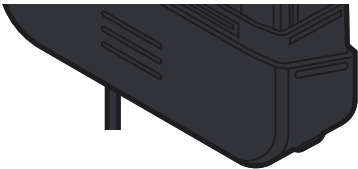
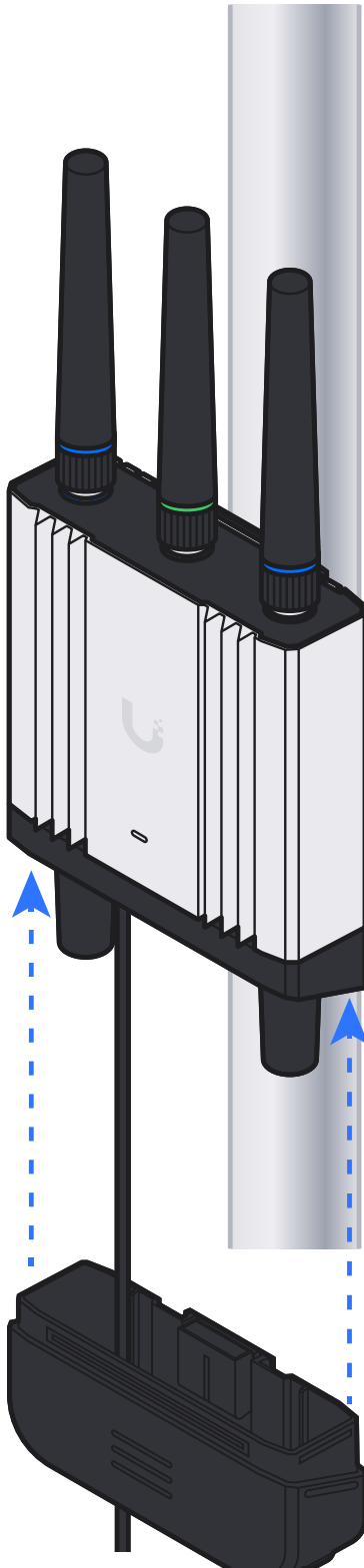
M2.5







1x

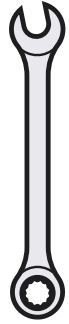


8



	Steady White	Device ready for setup.
	Steady Blue	Setup successful. Continue at mobility.ui.com .
	Flashing White	Unable to activate SIM. Check SIM PIN and APN.
	Flashing Blue	Unable to connect to the LTE network. Relocate the device or contact your ISP.

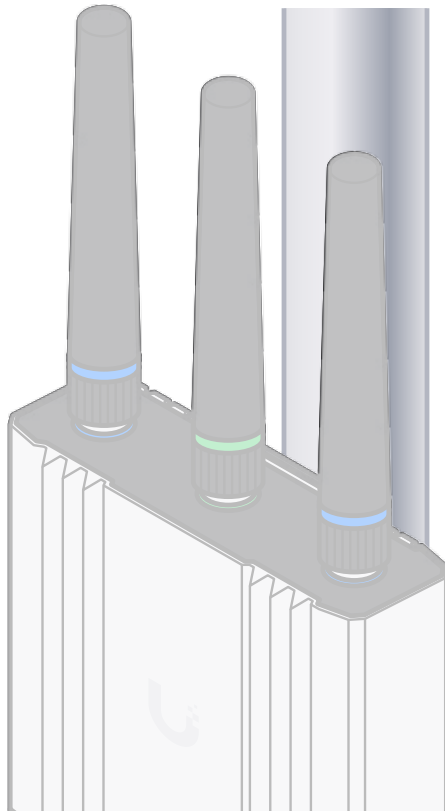
8mm

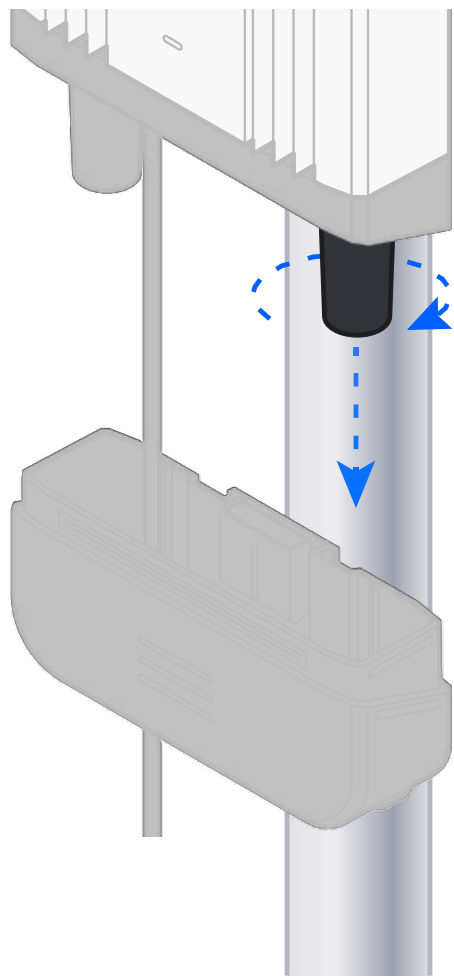


External WiFi Antenna
(RP-SMA Male Type)

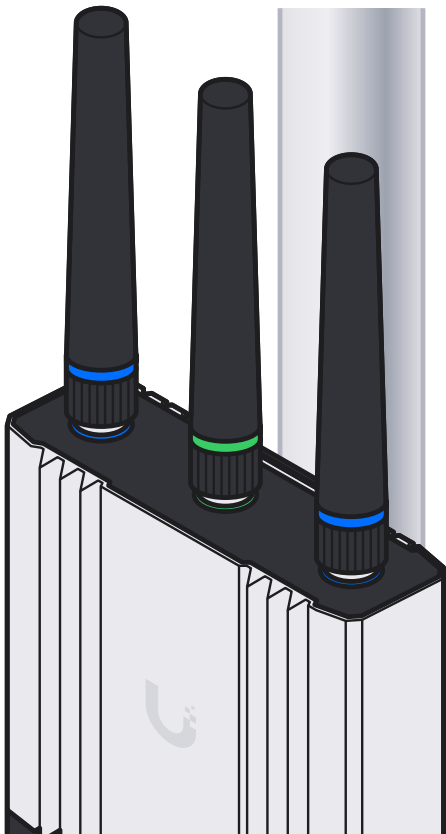


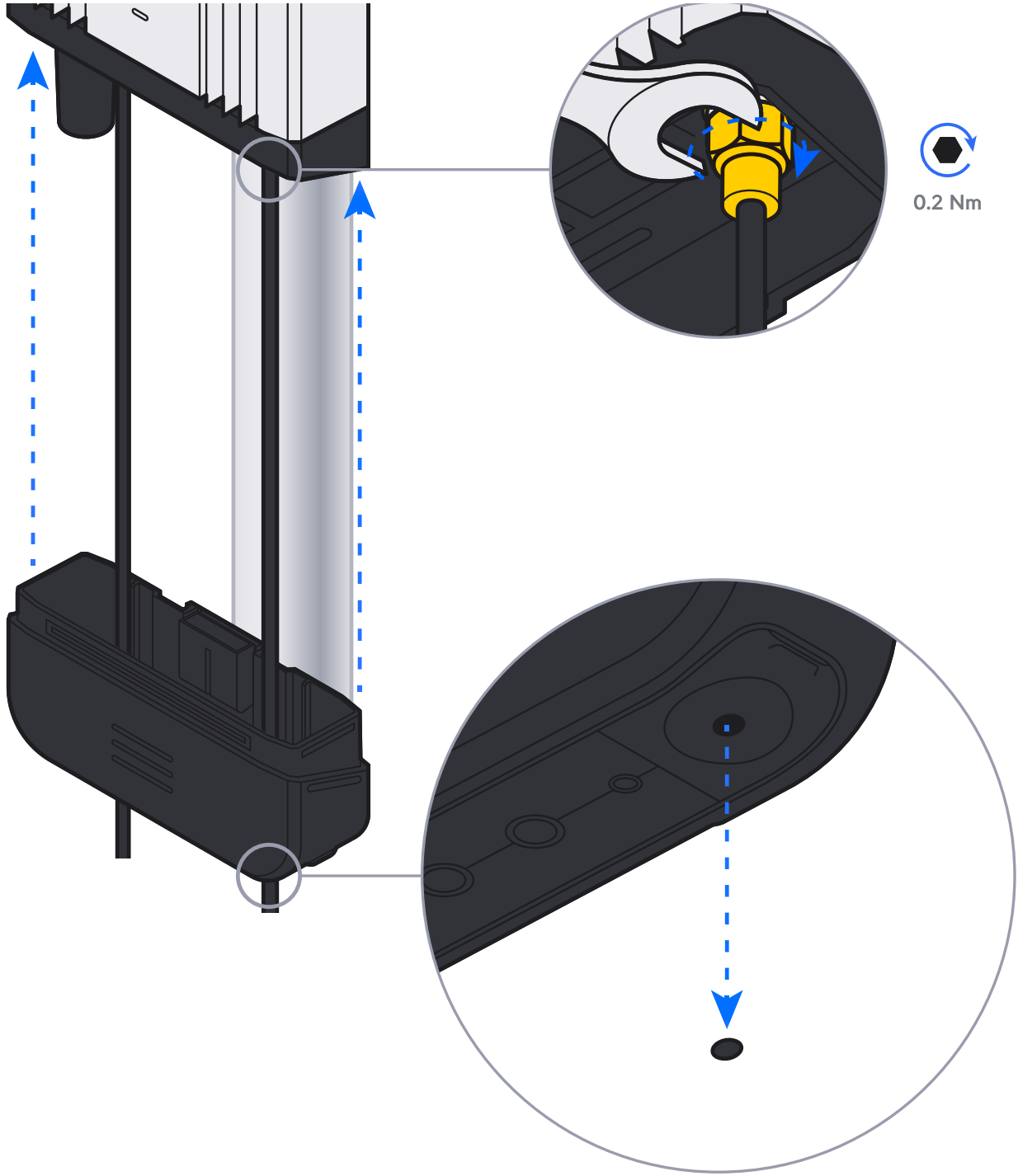
1





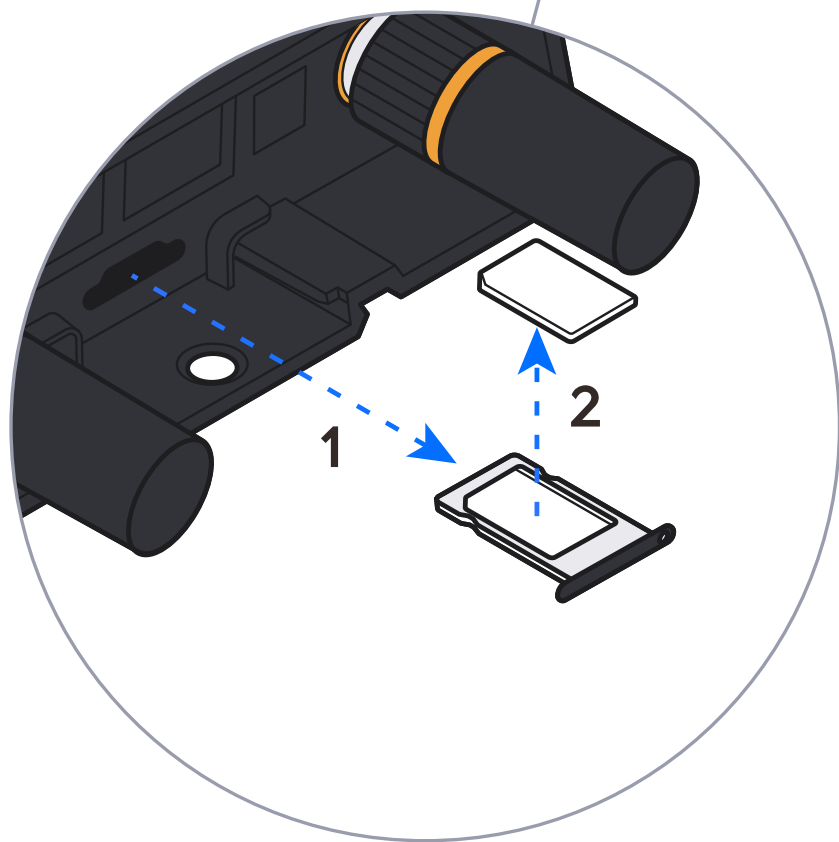
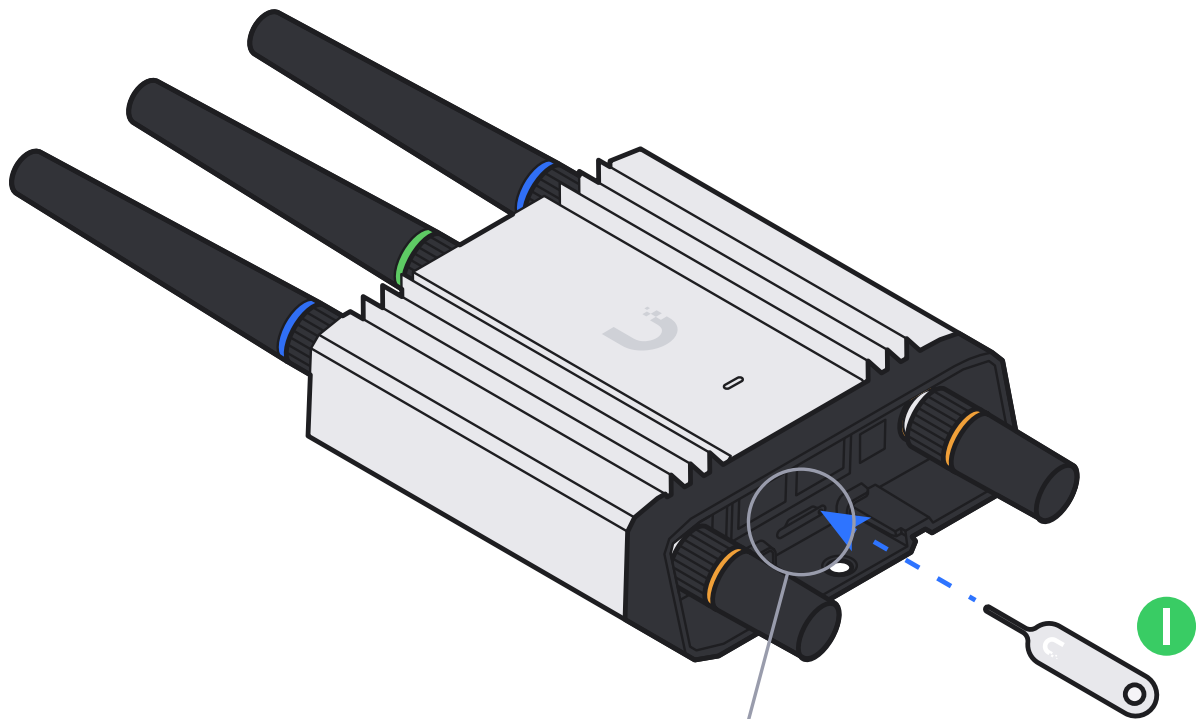
2





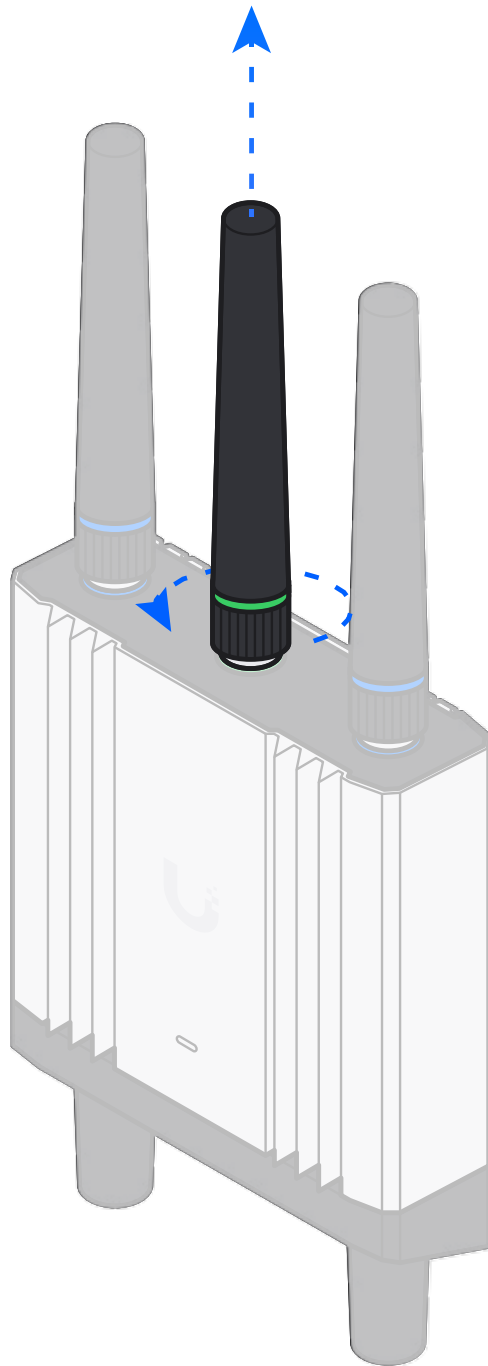
1x

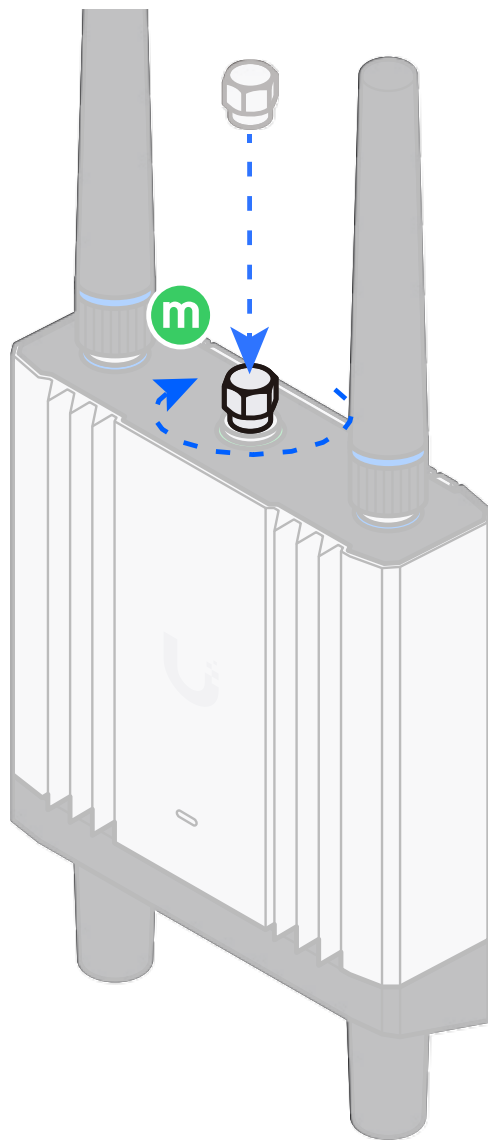






1x





If you need further assistance, visit our [Help Center](#) or contact [Ubiquiti Support](#).