



RG-S7800C Series Switches

Hardware Installation and Reference Guide V1.14

Copyright Statement

Ruijie Networks©2021

Ruijie Networks reserves all copyrights of this document. Any reproduction, excerpt, backup, modification, transmission, translation or commercial use of this document or any portion of this document, in any form or by any means, without the prior written consent of Ruijie Networks is prohibited.

Exemption Statement

This document is provided "as is". The contents of this document are subject to change without any notice. Please obtain the latest information through the Ruijie Networks website. Ruijie Networks endeavors to ensure content accuracy and will not shoulder any responsibility for losses and damages caused due to content omissions, inaccuracies or errors.

Preface

Thank you for using our products. This manual will guide you through the installation of the device.

This manual describes the functional and physical features and provides the device installation steps, hardware troubleshooting, module technical specifications, and specifications and usage guidelines for cables and connectors.

Audience

It is intended for the users who have some experience in installing and maintaining network hardware. At the same time, it is assumed that the users are already familiar with the related terms and concepts.

Obtaining Technical Assistance

- Ruijie Networks Website: <https://www.ruijienetworks.com/>
- Technical Support Website: <https://ruijienetworks.com/support>
- Case Portal: <http://caseportal.ruijienetworks.com>
- Community: <http://community.ruijienetworks.com>
- Technical Support Email: service_rj@ruijienetworks.com
- Skype: [service_rj@ruijienetworks.com](https://www.skype.com/people/service_rj@ruijienetworks.com)

Related Documents

| Documents | Description |
|---------------------|--|
| Configuration Guide | Describes network protocols and related mechanisms that supported by the product, with configuration examples. |
| Command Reference | Describes the related configuration commands, including command modes, parameter descriptions, usage guides, and related examples. |

Symbol Conventions



Means reader take note. Notes contain helpful suggestions or references.



Means reader be careful. In this situation, you might do something that could result in equipment damage or loss of data.

1 Product Overview

Launched by Ruijie independently, RG-S7800C series next generation core switches adopt the crossbar/FULLMESH architecture and support dual supervisor modules and power supply redundancy.

- The RG-S7808C: supports dual supervisor modules and provides six service module slots.
- The RG-S7805C: supports dual supervisor modules and provides three service module slots.
- The RG-S7810C: supports dual supervisor modules and provides eight service module slots and two switch fabric slots.

1.1 RG-S7808C

Specifications

| | |
|------------------------------|--|
| Model | RG-S7808C |
| Module Slot | two supervisor module slots and six service module slots |
| Supervisor Module | M7800C-CM and M7808C-CM II |
| Supervisor Module Redundancy | Supported |
| Service Module | <p>M7800C-CM supports the following 6 modules: M7800C-16SFP8XS-EA M7800C-24SFP/12GT4XS-EA M7800C-36GT12SFP4XS-EA M7800C-48GT4XS-EA M7800C-48GT4XS-P-EA M7800C-48SFP4XS-EA</p> <p>M7808C-CM II supports the following 13 modules (FA/FB series cannot be used with EB series or DA series): M7800C-24SFP/12GT4XS-EB M7800C-24GT24SFP4XS-EB M7800C-24XT4QXS-DA M7800C-32XS4QXS-DA M7800C-36GT12SFP4XS-EB M7800C-48GT4XS-EB M7800C-48GT4XS-P-EB M7800C-48SFP4XS-EB M7800C-48GT-FA M7800C-48SFP-FA M7800C-48XS-FB M7800C-4CQ-FB M7800C-8CQ-FB</p> |
| Hot Swapping | Supported |
| Power Module Supply | RG-PA600I-F: 90-180V~ power: 600W; 180-264V~ power: 600W RG-PA1600I-F: 90-180V~ power: 1200W; 180-264V~ power: 1600W RG-PD600I-F: -40- -75V~ power: 600W; RG-PA3000I-PL: 90-176V~ power: 1200W; 176-210V~ power: 2500W; 210-264V~ power: 3000W RG-PA1600I-PL: 90-176V~ power: 1200W; 176-264V~ power: 1600W RG-PA800IF: 90-176V~ power: 400W; 176-264V~ power: 800W |
| Power Supply Redundancy | The power supply redundancy of the same model is supported |
| Fan Module | M08-FAN |
| EMC Standards | GB9254-2008 CLASS A, FCC CLASS A |
| Safety Standards | GB4943-2011 |
| Altitude | Long term operation height: 3000m at 50°C. The temperature decreases by 1°C as the altitude ranging from 3000m to 5000m increases by 200m. |

| | |
|------------------------|---|
| | Operation height: 5000m max |
| | Storage height: 5000m max |
| Operating Temperature | 0°C to 50°C |
| Storage Temperature | -40°C to 70°C |
| Operating Humidity | 10% to 90% RH (non-condensing) |
| MTBF | 216,000 hours |
| Noise | 70 dB at normal temperature Max Noise: 77dB |
| Weight | Net weight: 35.6 kg |
| Dimensions (W x D x H) | 442 mm x 465 mm x 441.7 mm (without cable management brackets), 10U |

i The weight only includes that of the empty chassis and fans. The whole device's weight is subject to that of the modules selected.

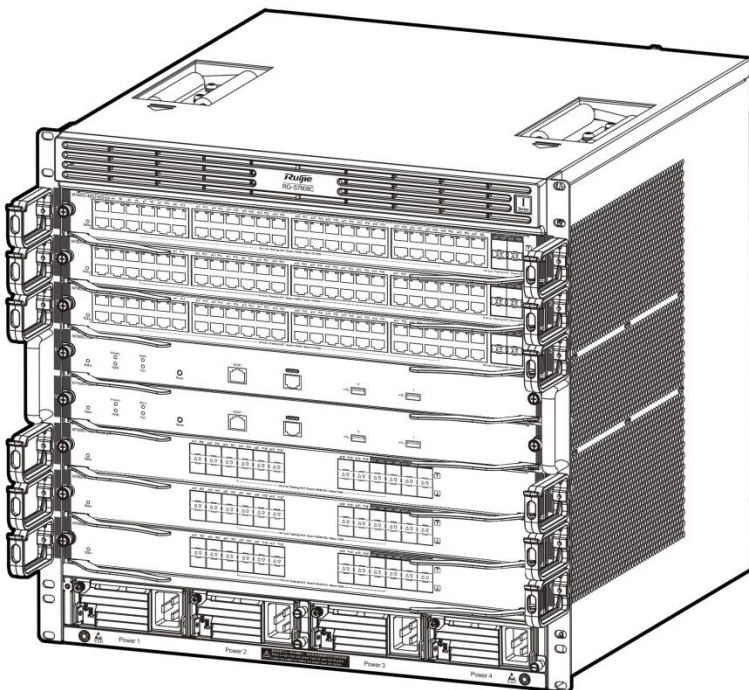
! RG-S7808C switch is a class A product. In a domestic environment, this product may cause radio interference in which case the user may be required to take adequate measures.

Product Appearance

The hardware system of the RG-S7808C switch is composed of the chassis, the power system, modules and the cooling system.

- The power system provides four power supply slots and supports N+N power redundancy. After M78-PSE or M78-PSE-L is configured, two PoE power slots are available. PoE power supports 1+1 power redundancy. Users are recommended to configure power supply redundancy.
- The RG-S7808C switch provides two supervisor module slots and six service module slots. The supervisor modules support 1+1 redundancy. Users are recommended to configure redundancy for the supervisor modules. Users may choose different service modules as needed.
- The cooling system is composed of the fan trays and air filters. Fan trays are at the back of the chassis. The air filters are on the right side of the chassis.

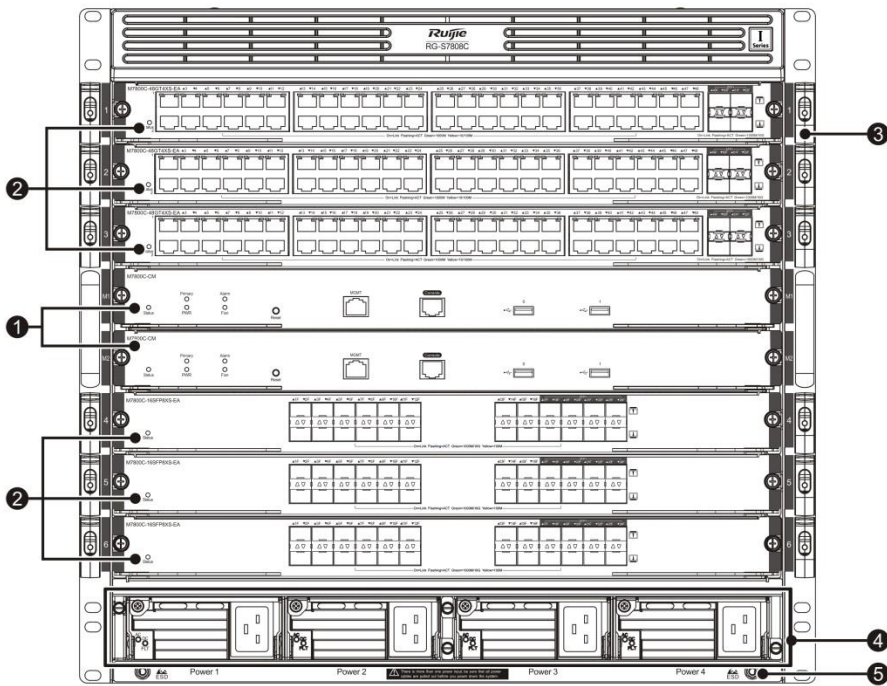
Figure 1-1 Appearance of the RG-S7808C Switch



Front Panel

The front panel of the RG-S7808C switch is shown in Figure 1-2.

Figure 1-2 Front Panel of the RG-S7808C Switch



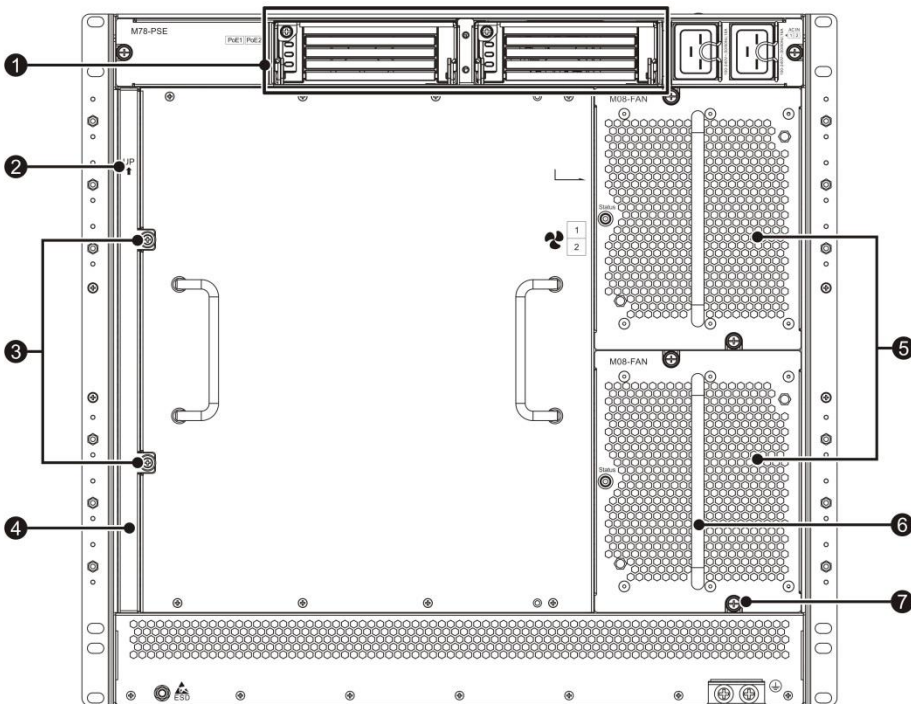
| | | |
|--------------|--|---|
| <p>Note:</p> | <ol style="list-style-type: none"> 1. Supervisor module slots 2. Service module slots 3. Cable management bracket | <ol style="list-style-type: none"> 4. Slot for system power supply module 5. Anti-static wrist strap socket |
|--------------|--|---|

! Ensure the supervisor module, service module, and power supply module are removed from the chassis before you move or transport the RG-S7808C chassis.

Back Panel

The back panel of the RG-S7808C switch is shown in Figure 1-3.

Figure 1-3 Back Panel of the RG-S7808C Switch



| | | |
|-------|---|---|
| Note: | <ol style="list-style-type: none"> 1. PoE power supply slot 2. Direction sign for installing air filter 3. Captive screw of the air filter 4. Air filter module | <ol style="list-style-type: none"> 5. Fan Tray 6. Handle of the fan tray 7. Captive screws of the fan tray |
|-------|---|---|

! For S7808C, the PoE power supply slot consists of a frame of PoE power supply module-- M78-PSE. For more information, please refer to *M78-PSE*. If PoE power supply input is in demand, you need to purchase a frame so as to install a PoE power supply module.

Power supply

The RG-S7808C switch adopts both AC and PoE power supply input.

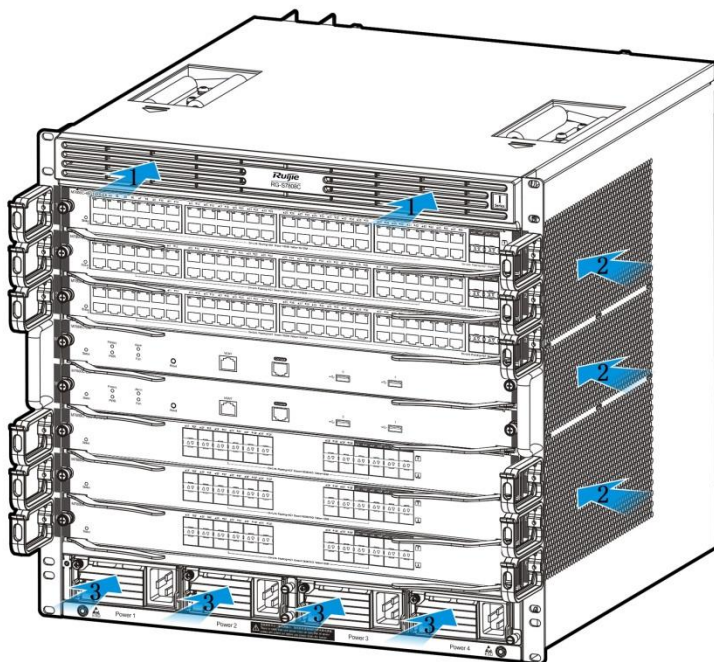
- AC power supply input: The RG-PA1600I-F and the RG-PA600I-F power supply modules are supported. The two types of power supply modules support power management. The supervisor module of the RG-S7808C switch can read the power supply information and implement flexible and intelligent power management.
- PoE power supply input: The RG-PA3000I-PL and the RG-PA1600I-PL power supply modules are supported. The two types of power supply modules support power management. The supervisor module of the RG-S7808C switch can read the power supply information and implement flexible and intelligent power management.

i The RG-S7808C switch supports N+N power supply redundancy to improve the system stability and reliability. We recommend users to configure N+M redundancy for power supply modules.

Heat Dissipation System

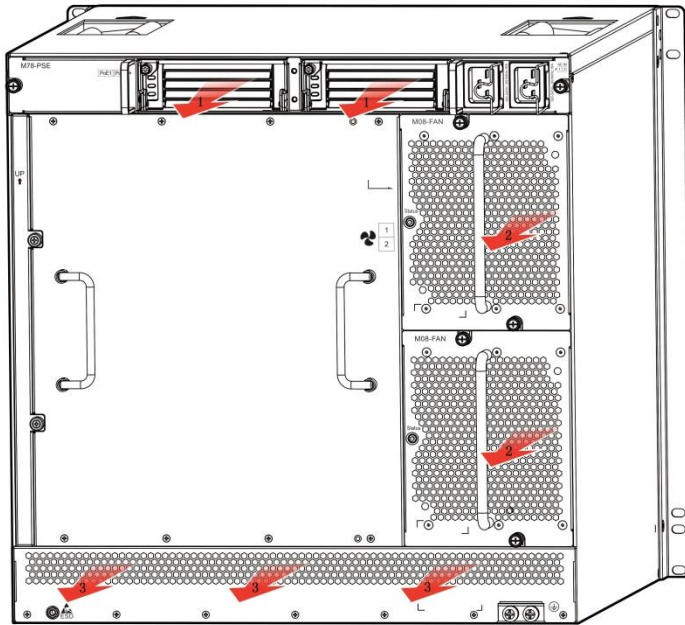
The operating environment temperature of the RG-S7808C switch ranges between 0 and 50°C. The thermal design must satisfy the requirement on the device's reliability in the temperature range while ensuring the device's safety and maintainability. According to the thermal design of the RG-S7808C switch, fans are used to draw air for forced convection cooling in order to ensure that the device works properly in the specified environment.

Figure 1-4 Ventilation and Heat Dissipation System of the RG-S7808C Switch (Air Intakes)



| | | |
|-------|---|---|
| Note: | <ol style="list-style-type: none"> 1. Air intakes for PoE power modules 2. Air intakes for service and supervisor modules | <ol style="list-style-type: none"> 3. Air intakes for system power modules |
|-------|---|---|

Figure 1-5 Ventilation and Heat Dissipation System of the RG-S7808C Switch (Exhaust Vents)



| | | |
|-------|---|---|
| Note: | 1. Exhaust vents for PoE power modules | 3. Exhaust vents for system power modules |
| | 2. Exhaust vents for service and supervisor modules | |

For the PoE power supply modules, air flows across the chassis from the back intakes to the front vents.
 For the supervisor and service modules, air flows across the chassis from the right intakes to the back vents.
 For the power supply modules, air flows in from the front intakes and out from the back vents.


- i The chassis should be mounted in a place with sufficient space for air circulation. Maintain a minimum clearance of 10cm around the chassis.
- i If any module slot is unoccupied, install a filler panel to ensure proper airflow.


1.2 RG-S7805C

Specifications

| | |
|------------------------------|--|
| Model | RG-S7805C |
| Module Slot | two supervisor module slots and three service module slots |
| Supervisor Module | M7805C-CM and M7805C-CM II |
| Supervisor Module Redundancy | Supported |

| | |
|-------------------------|--|
| Service Module | <p>M7800C-CM supports the following 5 modules: M7800C-24SFP/12GT4XS-EA M7800C-36GT12SFP4XS-EA M7800C-48GT4XS-EA M7800C-48SFP4XS-EA M7800C-24GT24SFP4XS-EA</p> <p>M7808C-CM II supports the following 12 modules (FA/FB series cannot be used with EB series or DA series): M7800C-24SFP/12GT4XS-EB M7800C-24GT24SFP4XS-EB M7800C-24XT4QXS-DA M7800C-32XS4QXS-DA M7800C-36GT12SFP4XS-EB M7800C-48GT4XS-EB M7800C-48SFP4XS-EB M7800C-48GT-FA M7800C-48SFP-FA M7800C-48XS-FB M7800C-4CQ-FB M7800C-8CQ-FB</p> |
| Hot Swapping | Supported |
| Power Supply Module | RG-PA300I-F: 90-180V~ power: 300W; 180-264V~ power: 300W RG-PA460I-F: 90-180V~ power: 460W; 180-264V~: power: 460W |
| Power Supply Redundancy | The power supply redundancy of the same model is supported. |
| Fan Module | M05C-FAN |
| EMC Standards | GB9254-2008 CLASS A, FCC CLASS A |
| Safety Standards | GB4943-2011 |
| Altitude | Long term operation height: 3000m at 50°C. The temperature decreases by 1°C as the altitude ranging from 3000m to 5000m increases by 200m. |
| | Operation height: 5000m max |
| | Storage height: 5000m max |
| Operating Temperature | 0°C to 50°C |
| Storage Temperature | -40°C to 70°C |
| Operating Humidity | 10% to 90% RH (non-condensing) |
| MTBF | 216,000 hours |
| Noise | 70 dB at normal temperature Max Noise: 77dB |
| Weight | Net weight: 12.42 kg (with the chassis and fans) |
| Dimensions (W x D x H) | 442 mm x 451 mm x 175 mm (without cable management brackets), 4U |

 The weight only includes that of the empty chassis and fans. The whole device's weight is subject to that of the modules selected.

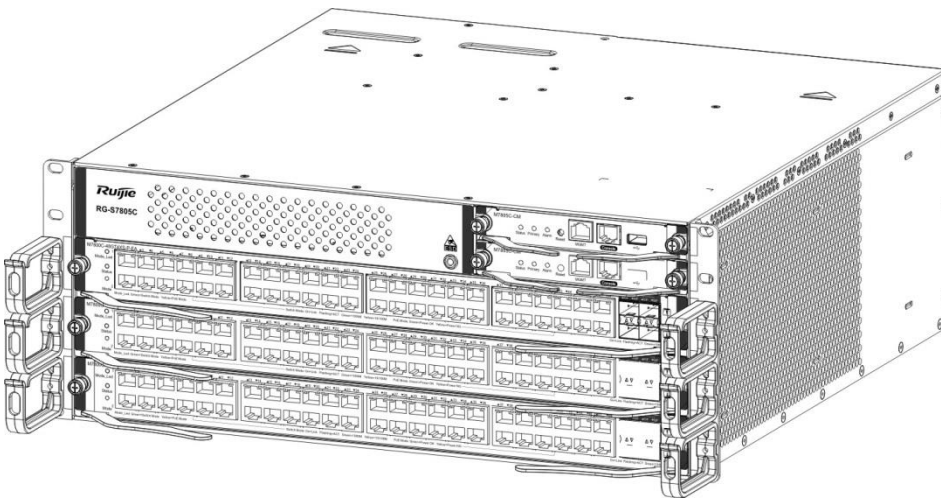
 RG-S7805C switch is a class A product. In a domestic environment, this product may cause radio interference in which case the user may be required to take adequate measures.

Product Appearance

The hardware system of the RG-S7805C switch is composed of the chassis, the power system, modules and the cooling system.

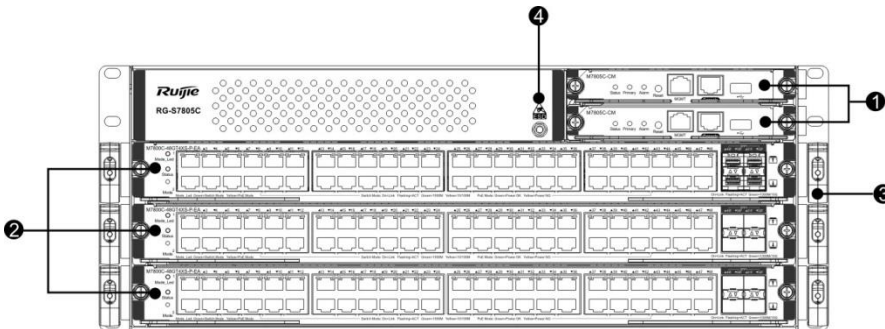
- The power system provides two power supply slots and supports 1+1 power supply redundancy. Users are recommended to configure redundancy for the power supplies.
- The RG-S7805C switch provides two supervisor module slots and three service module slots. The supervisor modules support 1+1 redundancy. Users are recommended to configure redundancy for the supervisor modules. Users may choose different service modules as needed.

- The cooling system is composed of the fan trays. Fan trays are at the back of the chassis.
- Figure 1-65 Appearance of the RG-S7805C Switch



Front Panel

The front panel of the RG-S7805C switch is shown in Figure 1-7.
Figure 1-7 Front Panel of the RG-S7805C Switch

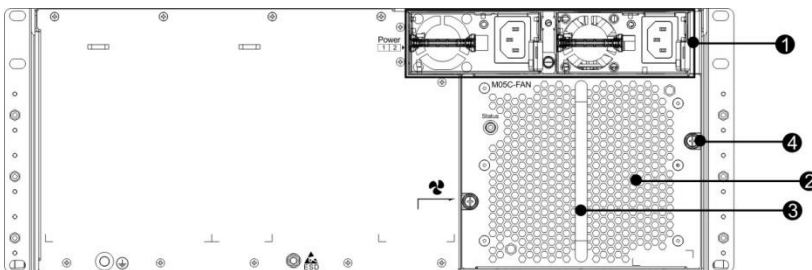


| | | |
|-------|--|--|
| Note: | <ol style="list-style-type: none"> 1. Supervisor module slot 2. Service module slots | <ol style="list-style-type: none"> 3. Cable management bracket 4. Anti-static wrist strap socket |
|-------|--|--|

! Ensure the supervisor module, service module, and power supply module are removed from the chassis before you move or transport the RG-S7805C chassis.

Back Panel

The back panel of the RG-S7805C switch is shown in Figure 1-8.
Figure 1-8 Back Panel of the RG-S7805C Switch



| | | |
|-------|---|--|
| Note: | <ol style="list-style-type: none"> 1. Power module slot 2. Fan tray | <ol style="list-style-type: none"> 3. Handle of the fan tray 4. Captive screws of the fan tray |
|-------|---|--|

Power supply

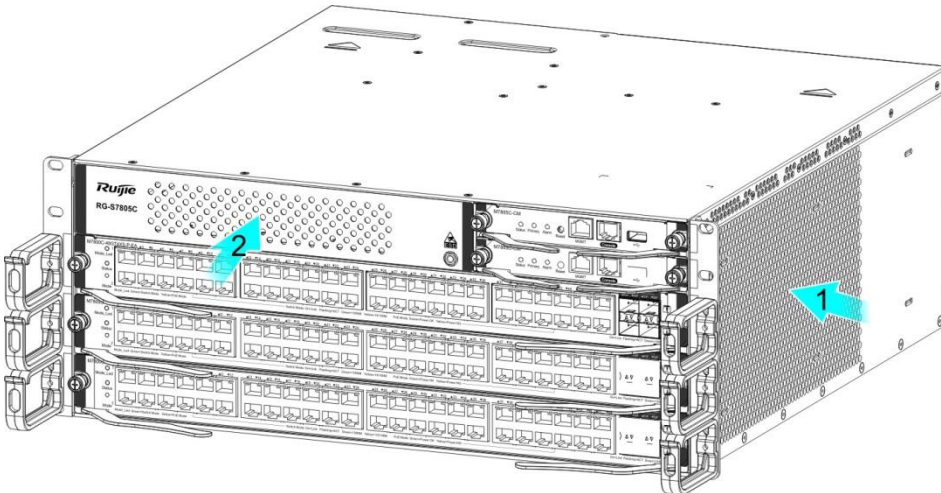
The RG-S7805C switch adopts the AC power supply.

- AC power supply input: The RG-PA300I-F and the RG-PA460I-F power supply modules are supported. The two types of power supply modules support power management. The supervisor module of the RG-S7805C switch can read the power supply information and implement flexible and intelligent power management.

Heat Dissipation System

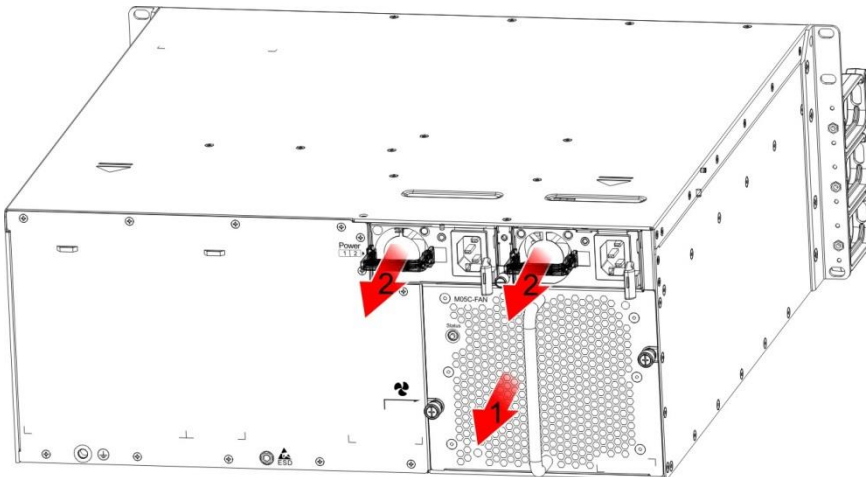
The operating environment temperature of the RG-S7805C switch ranges between 0 and 50°C. The thermal design must satisfy the requirement on the device's reliability in the temperature range while ensuring the device's safety and maintainability. According to the thermal design of the RG-S7805C switch, fans are used to draw air for forced convection cooling in order to ensure that the device works properly in the specified environment.

Figure 1-9 Ventilation and Heat Dissipation System of the RG-S7805C Switch (Air Intakes)



| | | |
|-------|---|---|
| Note: | 1. Air intakes for service and supervisor modules | 2. Air intakes for system power modules |
|-------|---|---|

Figure 1-10 Ventilation and Heat Dissipation System of the RG-S7805C Switch (Exhaust Vents)



| | | |
|-------|---|---|
| Note: | 1. Exhaust vents for service and supervisor modules | 2. Exhaust vents for system power modules |
|-------|---|---|


For the supervisor and service modules, air flows across the chassis from the right intakes to the back vents.
 For the power supply modules, air flows in from the front intakes and out from the back vents.

- i** The chassis should be mounted in a place with sufficient space for air circulation. Maintain a minimum clearance of 10cm around the chassis.
- i** If any module slot is unoccupied, install a filler panel to ensure proper airflow.


1.3 RG-S7810C

Specifications

| | |
|------------------------------|--|
| Model | RG-S7810C |
| Module Slot | two supervisor module slots, eight service module slots and two switching fabric module slots |
| Supervisor Module | M7810C-CM and M7810C-CM-F |
| Supervisor Module Redundancy | Supported |
| Service Module | <p>M7810C-CM supports the following 7 modules (The modules cannot be used with FA/FB series)</p> <p>M7800C-32XS4QXS-DA M7800C-24XT4QXS-DA M7800C-24GT24SFP4XS-EB M7800C-24SFP/12GT4XS-EB M7800C-48GT4XS-EB M7800C-48SFP4XS-EB M7800C-36GT12SFP4XS-EB</p> <p>M7810C-CM-F supports the following 5 modules (The modules cannot be used with EB series or DA series)</p> <p>M7800C-48GT-FA M7800C-48SFP-FA M7800C-48XS-FB M7800C-4CQ-FB M7800C-8CQ-FB</p> |
| Switching Fabric Module | M7810C-CM: M7810C-FE-D I M7810C-CM-F: M7810C-FE-F I |
| Hot Swapping | Supported |
| Power Module Supply | RG-PA600I: 90-180V~ Power: 600W; 180-264V~ Power: 600W RG-PA1600I: 90-180V~ Power: 1200W; 180-264V~ Power: 1600W RG-PD600I: -40VDC to -75VDC Power: 600W RG-PD1600I: -40VDC to -75VDC Power: 1400W |
| Power Supply Redundancy | The power supply redundancy of the same model is supported. |
| Fan Module | M10C-FAN |
| EMC Standards | GB9254-2008 CLASS A, FCC CLASS A |
| Safety Standards | GB4943-2011 |
| Altitude | Long term operation height: 3000m at 50°C. The temperature decreases by 1°C as the altitude ranging from 3000m to 5000m increases by 200m. Operation height: 5000m max Storage height: 5000m max |
| Operating Temperature | 0°C to 50°C |
| Storage Temperature | -40°C to 70°C |
| Operating Humidity | 10% to 90% RH (non-condensing) |
| MTBF | 342,000 hours |
| Noise | 70 dB at normal temperature Max Noise: 77dB |
| Weight | Net weight: 43.55 kg (with the chassis and fans) |
| Dimensions (W x D x H) | 442.5 mm x 560 mm x 442 mm (without cable management brackets), 10U 442.5 mm x 662 mm x 442 mm (without cable management brackets), 10U |

 The weight only includes that of the empty chassis and fans. The whole device's weight is subject to that of the modules selected.

 Service slot 8 of RG-S7810C switch does not support EB module.

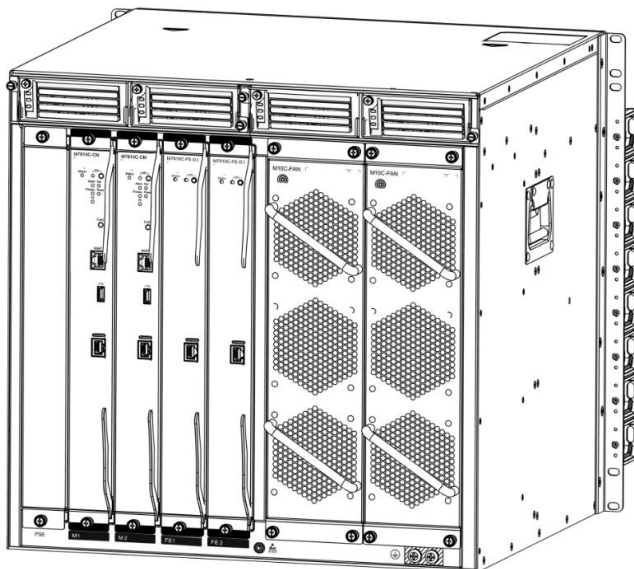
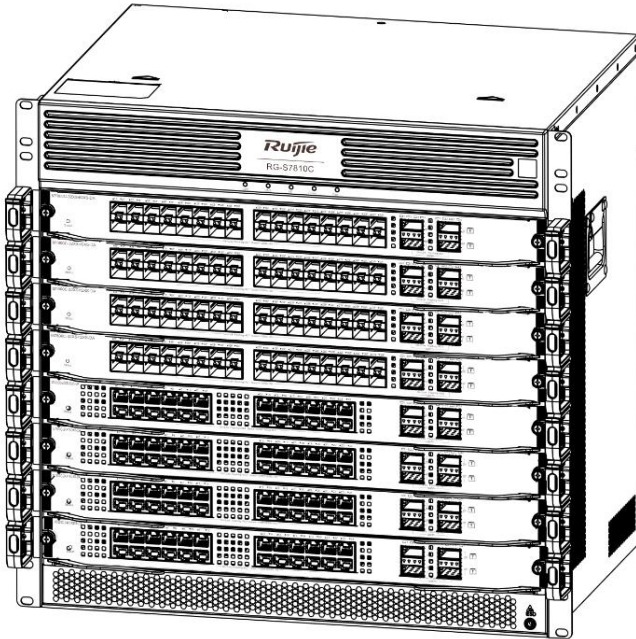
 RG-S7810C switch is a class A product. In a domestic environment, this product may cause radio interference in which case the user may be required to take adequate measures.

Product Appearance

The hardware system of the RG-S7810C switch is composed of the chassis, the power system, modules and the cooling system.

- The power system provides four power supply slots and supports n+n power supply redundancy. Users are recommended to configure redundancy for the power supplies.
- The RG-S7810C switch provides two supervisor module slots, eight service module slots and two switching fabric module slots. The supervisor modules support 1+1 redundancy. Users are recommended to configure redundancy for the supervisor modules. Users may choose different service modules as needed.
- The cooling system is composed of the fan trays. Fan trays are at the back of the chassis.

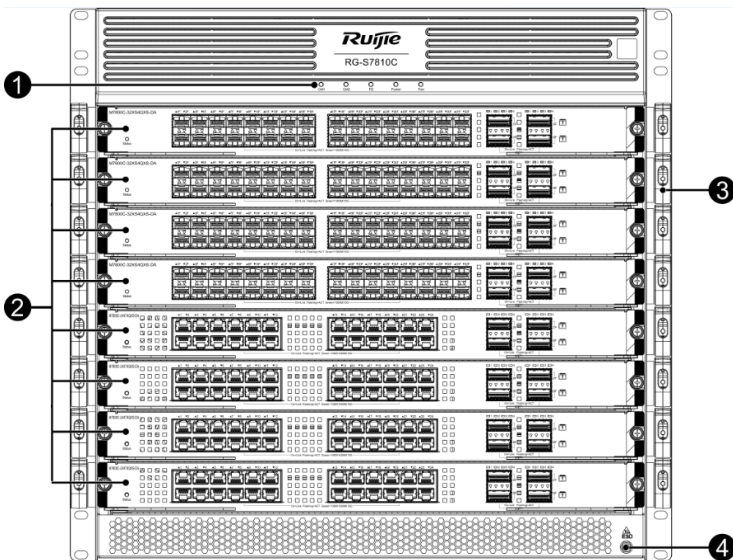
Figure 1-11 Appearance of the RG-S7810C Switch



Front Panel

The front panel of the RG-S7810C switch is shown in Figure 1-12.

Figure 1-12 Front Panel of the RG-S7810C Switch



| | | |
|-------|---|--|
| Note: | 1. System status LED 2. Service module slots | 3. Cable management bracket 4. Anti-static wrist strap socket |
|-------|---|--|

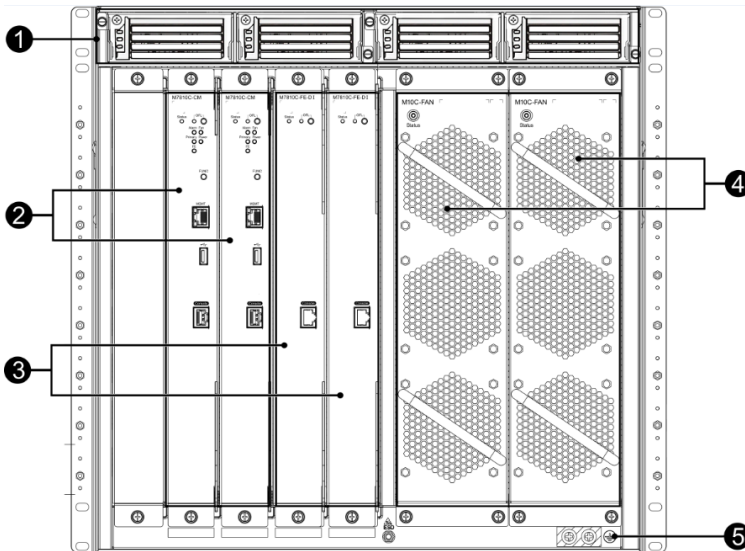
LED

| LED | Identification on the panel | Status | Meaning |
|--------------------------------|-----------------------------|----------------|---|
| Supervisor module 1 status | CM1 | Off | The module is powered off. |
| | | Solid Red | The module is faulty. |
| | | Blinking Green | Initiation is in progress. Continuous blinking indicates a failure. |
| | | Solid Green | Initiation is complete. |
| Supervisor module 2 status | CM2 | Off | The module is powered off. |
| | | Solid Red | The module is faulty. |
| | | Blinking Green | Initiation is in progress. Continuous blinking indicates a failure. |
| | | Solid Green | Initiation is complete. |
| Switching fabric module status | FE | Off | The module is NOT in position or powered off. |
| | | Solid Green | The module is operational. |
| | | Solid Red | The module is faulty. |
| Power status | Power | Off | The module is NOT in position. |
| | | Solid Green | The module is operational. |
| | | Solid Red | A failure occurred or the power cable is plugged out. |
| Fan status | Fan | Solid Green | The module is operational. |
| | | Solid Yellow | The module is NOT in position or removed. |
| | | Solid Red | The module is faulty. |

Back Panel

The back panel of the RG-S7810C switch is shown in Figure 1-13.

Figure 1-13 Back Panel of the RG-S7810C Switch



| | | |
|--------------|---|---|
| <p>Note:</p> | <p>1. Power module slot</p> <p>2. Supervisor module slot</p> <p>3. Switching fabric module slot</p> | <p>4. Fan module slot</p> <p>5. Grounding point</p> |
|--------------|---|---|

! Ensure the supervisor module, service module, and power supply module are removed from the chassis before you move or transport the RG-S7810C chassis.

Power supply

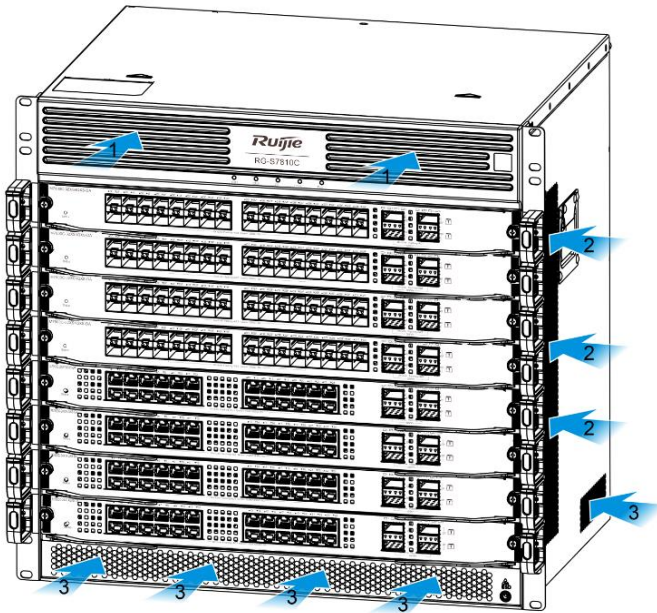
The RG-S7810C switch adopts the AC and DC power supply.

- AC power supply input: The RG-PA1600I and the RG-PA600I power supply modules are supported. The two types of power supply modules support power management. The supervisor module of the RG-S7810C switch can read the power supply information and implement flexible and intelligent power management.
- DC power supply input: The RG-PD1600I and the RG-PD600I power supply modules are supported. The two types of power supply modules support power management. The supervisor module of the RG-S7810C switch can read the power supply information and implement flexible and intelligent power management.

Heat Dissipation System

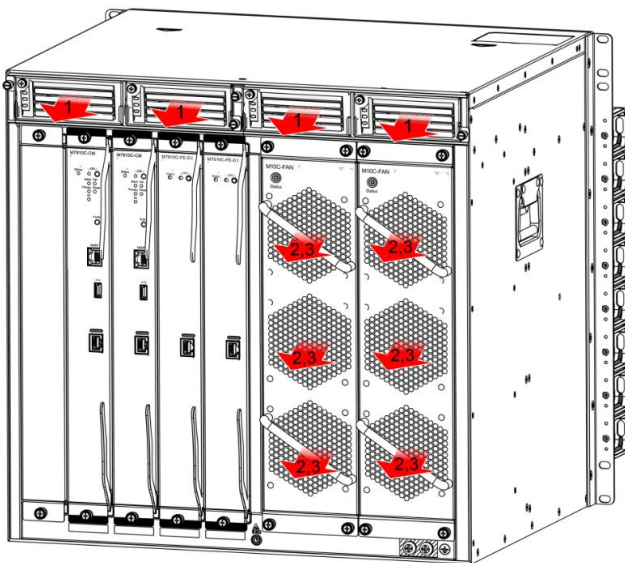
The operating environment temperature of the RG-S7810C switch ranges between 0 and 50°C. The thermal design must satisfy the requirement on the device's reliability in the temperature range while ensuring the device's safety and maintainability. According to the thermal design of the RG-S7810C switch, fans are used to draw air for forced convection cooling in order to ensure that the device works properly in the specified environment.

Figure 1-14 Ventilation and Heat Dissipation System of the RG-S7810C Switch (Air Intakes)



| | | |
|-------|--|--|
| Note: | 1. Air intakes for power modules 2. Air intakes for service modules | 3. Air intakes for supervisor and switching fabric modules |
|-------|--|--|

Figure 1-15 Ventilation and Heat Dissipation System of the RG-S7810C Switch (Exhaust Vents)



| | | |
|-------|------------------------------------|---|
| Note: | 1. Exhaust vents for power modules | 2.3. Exhaust vents for service, supervisor and switching fabric modules |
|-------|------------------------------------|---|

For the service modules, air flows across the chassis from the right intakes to the back vents.
 For the power supply modules, air flows in from the front intakes and out from the back vents.
 For the supervisor and switching fabric modules, air flows in from the bottom to the back vents.

- i The chassis should be mounted in a place with sufficient space for air circulation. Maintain a minimum clearance of 10cm around the chassis.
- i If any module slot is unoccupied, install a filler panel to ensure proper airflow.

2 Module

The RG-S7800C switch adopts the module-based design. Compliant with industry standards, the design divides modules and integrates module interfaces to ensure the switch system's functioning and independence of various function modules.

The modules of the RG-S7800C switch provide 10/100/1000M auto-sensing Ethernet copper ports, 1000 Mbps/100 Mbps SFP (single-mode/multi-mode) optical fiber interfaces and 10G/40G optical fiber interfaces.

2.1 RGOS11.X Modules

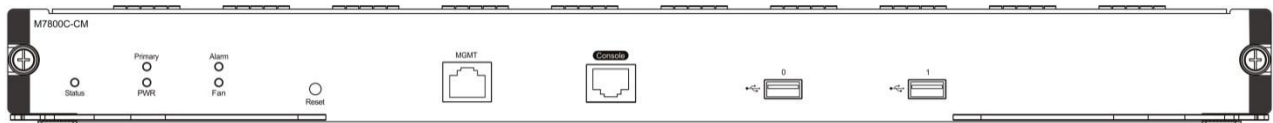
2.1.1 RGOS11.X Supervisor Modules

2.1.1.1 M7800C-CM

M7800C-CM is the supervisor module of the RG-S7808C series switches and is designed with management and switching functions.

Module Appearance

Figure 2-1 Appearance of the M7800C-CM Module



External Port

The M7800C-CM module provides three external ports:

- **Universal Serial Bus (USB) port:** By connecting to the USB port, the USB storage devices can store logs, host version, alarms and other diagnosis information, facilitating online upgrade of switch software and storage of logs.
 - ⓘ To secure data and prevent damage to the device, it is recommended to use high-quality flash disks produced by reliable manufacturers. The USB port is compatible with most USB controllers but may be unable to identify some USB disk models.
- **Console port:** As a serial communications port, it uses the RS-232 interface level and standard RJ-45 connector. This port is used to connect the device to serial ports of background terminal computers to perform tasks including system commissioning, configuration, maintenance, management, and host software loading.
- **10/100/1000M MGMT port:** As the 10/100/1000BASE-T Ethernet port, it uses the RJ-45 connector. This port can be used to connect the device to the Ethernet port of the background computer to load programs. Use the standard cable to connect the device to the Ethernet port of the background computer.

Button

The M7800C-CM module provides a Reset button, which is used to reset the system. If the button is held for less than five seconds, it is a short press; if the button is held for five seconds or longer, it is a long press.

- ⓘ In case of a short press, the Status LED flashes in green, and the device resets within five seconds after the press. In case of a long press, the Status LED flashes in green and then flashes in red; the device resets within five seconds after the press.
- ⓘ Press the button, and the system starts to collect information, during which the device will not restart. After the collection is complete, the device restarts automatically. Hold the button for a while and release it, the device restarts automatically in five seconds.

LED

| LED | Identification on the panel | Status | Meaning |
|--------------------------------------|-----------------------------|----------------|--|
| System LED | Status | Off | The module is powered off. |
| | | Solid red | The module is faulty. |
| | | Blinking green | Initialization is in progress. Continuous blinking indicates errors. |
| | | Solid green | The module is operational. |
| Active/standby supervisor module LED | Primary | Off | The module acts as the standby supervisor module. |
| | | Solid green | The module acts as the primary supervisor module. |
| Alarm LED | Alarm | Off | No fault |

| | | | |
|------------------|------|--------------|--|
| | | Solid red | The whole system or a module fails to work. The device may be damaged if it continues operating. |
| | | Solid yellow | The temperature exceeds the threshold but the system continues operating. |
| Fan status LED | FAN | Solid green | The fan is operational. |
| | | Solid yellow | The fan is NOT in the position. |
| | | Solid red | The fan is faulty. |
| Power status LED | PWR | Off | The power supply module is NOT in the position. |
| | | Solid green | The power supply module is operational. |
| | | Solid red | The power supply module is faulty. |
| MGMT port LED | MGMT | Off | The MGMT port is NOT connected. |
| | | Green | The MGMT port is connected at 1000Mbps. |
| | | Yellow | The MGMT port is connected at 10/100Mbps. |
| | | Blinking | The MGMT port is transmitting or receiving data. |

Specifications

| | |
|------------------------|---|
| Model | M7800C-CM |
| CPU | Quad-core CPU, each core with the clock speed of 1.0G |
| BOOTROM | 8 MB |
| Flash Memory | 8 GB |
| SDRAM | DDRIII 4 GB |
| External Port | One Console port One 10/100/1000M MGMT port Two USB ports |
| Button | Reset button |
| Power Consumption | <65W |
| Hot Swapping | Supported |
| Management Redundancy | Supported |
| EMC Standards | GB9254-2008 CLASS A |
| Safety Standards | GB4943-2011 |
| Operating Temperature | 0°C to 50°C |
| Storage Temperature | -40°C to 70°C |
| Operating Humidity | 10% to 90% RH (non-condensing) |
| MTBF | 312,000 hours |
| Weight | Net weight: 2.1 kg |
| Dimensions (W x D x H) | 438.5 mm x 309.0 mm x 40.1 mm |

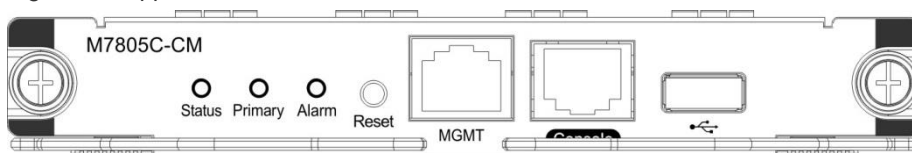
! The M7800C-CM adopts the CR2032 lithium battery. The device may explode if a wrong battery model is used. Used batteries should be properly disposed of.

2.1.1.2 M7805C-CM

M7805C-CM is the supervisor module of the RG-S7805C series switches and is designed with management and switching functions.

Module Appearance

Figure 2-2 Appearance of the M7805C-CM Module



External Port

The M7800C-CM module provides three external ports:

- **Universal Serial Bus (USB) port:** By connecting to the USB port, the USB storage devices can store logs, host version, alarms and other diagnosis information, facilitating online upgrade of switch software and storage of logs.

i To secure data and prevent damage to the device, it is recommended to use high-quality flash disks produced by reliable manufacturers. The USB port is compatible with most USB controllers but may be unable to identify some USB disk models.

- **Console port:** As a serial communications port, it uses the RS-232 interface level and standard RJ-45 connector. This port is used to connect the device to serial ports of background terminal computers to perform tasks including system commissioning, configuration, maintenance, management, and host software loading.
- **10/100/1000M MGMT port:** As the 10/100/1000BASE-T Ethernet port, it uses the RJ-45 connector. This port can be used to connect the device to the Ethernet port of the background computer to load programs. Use the standard cable to connect the device to the Ethernet port of the background computer.

Button

The M7805C-CM module provides a Reset button, which is used to reset the system. If the button is held for less than five seconds, it is a short press; if the button is held for five seconds or longer, it is a long press.

i In case of a short press, the Status LED flashes in green, and the device resets within five seconds after the press. In case of a long press, the Status LED flashes in green and then flashes in red; the device resets within five seconds after the press.

i Press the button, and the system starts to collect information, during which the device will not restart. After the collection is complete, the device restarts automatically. Hold the button for a while and release it, the device restarts automatically in five seconds.

LED

| LED | Identification on the panel | Status | Meaning |
|--------------------------------------|-----------------------------|----------------|--|
| System LED | Status | Off | The module is powered off. |
| | | Solid red | The module is faulty. |
| | | Blinking green | Initialization is in progress. Continuous blinking indicates errors. |
| | | Solid green | The module is operational. |
| Active/standby supervisor module LED | Primary | Off | The module acts as the standby supervisor module. |
| | | Solid green | The module acts as the primary supervisor module. |
| Alarm LED | Alarm | Off | No fault |
| | | Solid red | The whole system or a module fails to work. The device may be damaged if it continues operating. |
| | | Solid yellow | The temperature exceeds the threshold but the system continues operating. |
| MGMT port LED | MGMT | Off | The MGMT port is NOT connected. |
| | | Green | The MGMT port is connected at 1000Mbps. |
| | | Yellow | The MGMT port is connected at 10/100Mbps. |
| | | Blinking | The MGMT port is transmitting or receiving data. |

Specifications

| | |
|-------------------|--|
| Model | M7805C-CM |
| CPU | Quad-core CPU, each core with the clock speed of 1.0G |
| BOOTROM | 8 MB |
| Flash Memory | 1 GB |
| SDRAM | DDRIII 4 GB |
| External Port | One Console port One 10/100/1000M MGMT port One USB port |
| Button | Reset button |
| Power Consumption | <33W |

| | |
|------------------------|--------------------------------|
| Hot Swapping | Supported |
| Management Redundancy | Supported |
| EMC Standards | GB9254-2008 CLASS A |
| Safety Standards | GB4943-2011 |
| Operating Temperature | 0°C to 50°C |
| Storage Temperature | -40°C to 70°C |
| Operating Humidity | 10% to 90% RH (non-condensing) |
| MTBF | 312,000 hours |
| Weight | Net weight: 0.86 kg |
| Dimensions (W x D x H) | 151.0 mm x 309.0 mm x 23.6 mm |

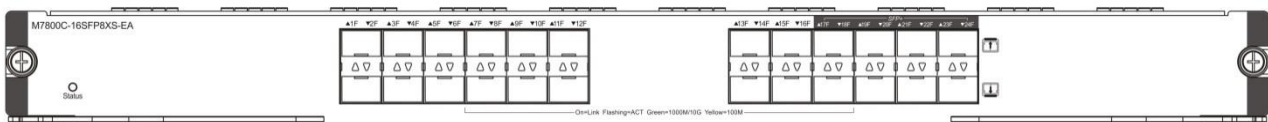
! The M7805C-CM adopts the CR2032 lithium battery. The device may explode if a wrong battery model is used. Used batteries should be properly disposed of.

2.1.2 RGOS11.X Service Modules

2.1.2.1 M7800C-16SFP8XS-EA

Module Appearance

Figure 2-3 Appearance of the M7800C-16SFP8XS-EA Module



External Port

M7800C-16SFP8XS-EA module provides 16 SFP ports and 8 SFP+ ports. The SFP ports support hot swap and access rates of 100/1000M. The SFP+ ports support hot swap, 10 SFP+ modules and Gigabit SFP modules.

i The M7800C-16SFP8XS-EA supports 10G SFP+ and Gigabit SFP modules. 10G SFP+ modules cannot be used as Gigabit SFP modules.

LED

| LED | Identification on the panel | Status | Meaning |
|---------------|-----------------------------|----------------|--|
| System LED | Status | Off | The module is powered off. |
| | | Solid red | The module is faulty. |
| | | Blinking green | Initialization is in progress. Continuous blinking indicates errors. |
| | | Solid green | The module is operational |
| SFP port LED | Link/ACT | Off | The port link is NOT connected. |
| | | Solid green | The port is connected at 1000Mbps. |
| | | Solid yellow | The port is connected at 100Mbps. |
| | | Blinking | The port is transmitting and receiving data. |
| SFP+ port LED | Link/ACT | Off | The port link is NOT connected. |
| | | Solid green | The port is connected. |
| | | Blinking | The port is transmitting and receiving data. |

Specifications

| | |
|---------|---|
| Model | M7800C-16SFP8XS-EA |
| CPU | Quad-core CPU, each core with the clock speed of 1.0G |
| BOOTROM | 8 MB |

| | | |
|------------------------|--------------------------------|--|
| Flash Memory | 512 MB | |
| SDRAM | DDRIII 1 GB | |
| External Port | 16 SFP ports 8 SFP+ ports | |
| Transmission Medium | 100BASE-FX(1310nm) | Multi-mode or single-mode optical fiber, supported by SFP ports while not supported by SFP+ ports. |
| | 100BASE-FX (1550nm) | Single-mode optical fiber, supported by SFP ports while not supported by SFP+ ports. |
| | 1000BASE-SX (850nm) | Multi-mode optical fiber |
| | 1000BASE-LX (1310nm) | Single-mode optical fiber |
| | 1000BASE-LH (1310nm) | Single-mode optical fiber |
| | 1000BASE-ZX (1550nm) | Single-mode optical fiber |
| | 10GBASE-SR (850nm) | Multi-mode optical fiber |
| | 10GBASE-LR (1310nm) | Single-mode optical fiber |
| | 10GBASE-ER (1550nm) | Single-mode optical fiber |
| | 10GBASE-ZR (1550nm) | Single-mode optical fiber |
| | XG-SFP-AOC1M | 1m SFP+ active optical cable |
| | XG-SFP-AOC3M | 3m SFP+ active optical cable |
| | XG-SFP-AOC5M | 5m SFP+ active optical cable |
| LED | Status, Link/ACT | |
| Hot Swapping | Supported | |
| Power Consumption | < 95W | |
| EMC Standards | GB9254-2008 CLASS A | |
| Safety Standards | GB4943-2011 | |
| Operating Temperature | 0°C to 50°C | |
| Storage Temperature | -40°C to 70°C | |
| Operating Humidity | 10% to 90% RH (non-condensing) | |
| MTBF | 305,000 hours | |
| Weight | Net weight: 2.8 kg | |
| Dimensions (W x D x H) | 438.5 mm x 309.0 mm x 40.1 mm | |

2.1.2.2 M7800C-24SFP/12GT4XS-EA

Module Appearance

Figure 2-4 Appearance of the M7800C-24SFP/12GT4XS-EA Module



External Port

! M7800C-24SFP/12GT4XS-EA module provides 12 10/100/1000BASE-T RJ45 ports, 24 SFP ports and 4 SFP+ ports. RJ45 ports support auto-negotiation. SFP ports 1F-12F are optical/electrical ports. All SEP ports support access rates of 100/1000M and hot swapping. SFP+ ports support hot swapping, 10G SFP+ modules and Gigabit SFP modules. Copper ports do not support half-duplex at the rates of 10M/100M.

! The M7800C-24SFP/12GT4XS-EA supports 10G SFP+ and Gigabit SFP modules. 10G SFP+ modules cannot be used as Gigabit SFP modules.

LED

| LED | Identification on the panel | Status | Meaning |
|------------|-----------------------------|----------------|--|
| System LED | Status | Off | The module is powered off. |
| | | Solid red | The module is faulty. |
| | | Blinking green | Initialization is in progress. Continuous blinking indicates |

| | | | |
|---------------|----------|--------------|--|
| | | | errors. |
| | | Solid green | The module is operational |
| GT port LED | Link/ACT | Off | The port link is NOT connected. |
| | | Solid green | The port is connected at 1000Mbps. |
| | | Solid yellow | The port is connected at 10/100Mbps. |
| | | Blinking | The port is transmitting and receiving data. |
| SFP port LED | Link/ACT | Off | The port link is NOT connected. |
| | | Solid green | The port is connected at 1000Mbps. |
| | | Solid yellow | The port is connected at 100Mbps. |
| | | Blinking | The port is transmitting and receiving data. |
| SFP+ port LED | Link/ACT | Off | The port link is NOT connected. |
| | | Solid green | The port is connected. |
| | | Blinking | The port is transmitting and receiving data. |

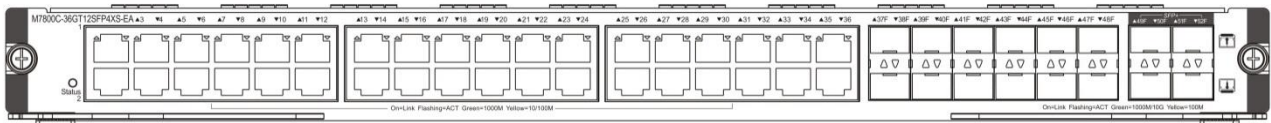
Specifications

| | | |
|------------------------|--|--|
| Model | M7800C-24SFP/12GT4XS-EA | |
| CPU | Quad-core CPU, each core with the clock speed of 1.0G | |
| BOOTROM | 8 MB | |
| Flash Memory | 512 MB | |
| SDRAM | DDRIII 1 GB | |
| External Port | 12 10/100/1000BASE-T RJ45 ports, 24 SFP ports (F1-F12 are optical/electrical ports) 4 SFP+ ports | |
| Transmission Medium | 10/100/1000BASE-T 100BASE-FX(1310nm) 100BASE-FX (1550nm) 1000BASE-SX (850nm) 1000BASE-LX (1310nm) 1000BASE-LH (1310nm) 1000BASE-ZX (1550nm) 10GBASE-SR (850nm) 10GBASE-LR (1310nm) 10GBASE-ER (1550nm) 10GBASE-ZR (1550nm) XG-SFP-AOC1M XG-SFP-AOC3M XG-SFP-AOC5M | Cat-5 UTP Multi-mode or single-mode optical fiber, supported by SFP ports while not supported by SFP+ ports. Single-mode optical fiber, supported by SFP ports while not supported by SFP+ ports. Multi-mode optical fiber Single-mode optical fiber Single-mode optical fiber Single-mode optical fiber Multi-mode optical fiber Single-mode optical fiber Single-mode optical fiber Single-mode optical fiber Single-mode optical fiber 1m SFP+ active optical cable 3m SFP+ active optical cable 5m SFP+ active optical cable |
| LED | Status, Link/ACT | |
| Hot Swapping | Supported | |
| Power Consumption | < 85W | |
| EMC Standards | GB9254-2008 CLASS A | |
| Safety Standards | GB4943-2011 | |
| Operating Temperature | 0°C to 50°C | |
| Storage Temperature | -40°C to 70°C | |
| Operating Humidity | 10% to 90% RH (non-condensing) | |
| MTBF | 335,000 hours | |
| Weight | Net weight: 2.9 kg | |
| Dimensions (W x D x H) | 438.5 mm x 309.0 mm x 40.1 mm | |

2.1.2.3 M7800C-36GT12SFP4XS-EA

Module Appearance

Figure 2-5 Appearance of the M7800C-36GT12SFP4XS-EA Module



External Port

M7800C-36GT12SFP4XS-EA module provides 36 10/100/1000BASE-T RJ45 ports, 12 SFP ports and 4 SFP+ ports. The RJ45 ports support auto-negotiation at 10/100/1000 Mbps. The SFP ports support the rate of 100/1000M and hot swapping. And the SFP+ ports support 10G SFP+ modules, Gigabit SFP modules and hot swapping. Copper ports do not support half-duplex at 10/100Mbps.

- i** The M7800C-36GT12SFP4XS-EA supports 10G SFP+ and Gigabit SFP modules. 10G SFP+ modules cannot be used as Gigabit SFP modules.

LED

| LED | Identification on the panel | Status | Meaning |
|---------------|-----------------------------|----------------|--|
| System LED | Status | Off | The module is powered off. |
| | | Solid red | The module is faulty. |
| | | Blinking green | Initialization is in progress. Continuous blinking indicates errors. |
| | | Solid green | The module is operational |
| GT port LED | Link/ACT | Off | The port link is NOT connected. |
| | | Solid green | The port is connected at 1000Mbps. |
| | | Solid yellow | The port is connected at 10/100Mbps. |
| | | Blinking | The port is transmitting and receiving data. |
| SFP port LED | Link/ACT | Off | The port link is NOT connected. |
| | | Solid green | The port is connected at 1000Mbps. |
| | | Solid yellow | The port is connected at 100Mbps. |
| | | Blinking | The port is transmitting and receiving data. |
| SFP+ port LED | Link/ACT | Off | The port link is NOT connected. |
| | | Solid green | The port is connected. |
| | | Blinking | The port is transmitting and receiving data. |

Specifications

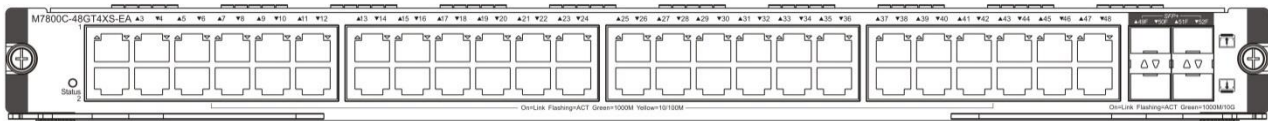
| | | |
|---------------------|---|--|
| Model | M7800C-36GT12SFP4XS-EA | |
| CPU | Quad-core CPU, each core with the clock speed of 1.0G | |
| BOOTROM | 8 MB | |
| Flash Memory | 512 MB | |
| SDRAM | DDRIII 1 GB | |
| External Port | 36 10/100/1000BASE-T RJ45 ports, 12 SFP ports (F1-F12 are optical/electrical ports) 4 SFP+ ports | |
| Transmission Medium | 10/100/1000BASE-T 100BASE-FX(1310nm) 100BASE-FX (1550nm) 1000BASE-SX (850nm) 1000BASE-LX (1310nm) 1000BASE-LH (1310nm) 1000BASE-ZX (1550nm) | Cat-5 UTP Multi-mode or single-mode optical fiber, supported by SFP ports while not supported by SFP+ ports. Single-mode optical fiber, supported by SFP ports while not supported by SFP+ ports. Multi-mode optical fiber Single-mode optical fiber Single-mode optical fiber Single-mode optical fiber |

| | | |
|------------------------|---|---|
| | 10GBASE-SR (850nm) 10GBASE-LR (1310nm) 10GBASE-ER (1550nm) 10GBASE-ZR (1550nm) XG-SFP-AOC1M XG-SFP-AOC3M XG-SFP-AOC5M | Multi-mode optical fiber Single-mode optical fiber Single-mode optical fiber Single-mode optical fiber 1m SFP+ active optical cable 3m SFP+ active optical cable 5m SFP+ active optical cable |
| LED | Status, Link/ACT | |
| Hot Swapping | Supported | |
| Power Consumption | < 80W | |
| EMC Standards | GB9254-2008 CLASS A | |
| Safety Standards | GB4943-2011 | |
| Operating Temperature | 0°C to 50°C | |
| Storage Temperature | -40°C to 70°C | |
| Operating Humidity | 10% to 90% RH (non-condensing) | |
| MTBF | 334,000 hours | |
| Weight | Net weight: 2.9 kg | |
| Dimensions (W x D x H) | 438.5 mm x 309.0 mm x 40.1 mm | |

2.1.2.4 M7800C-48GT4XS-EA

Module Appearance

Figure 2-6 Appearance of the M7800C-48GT4XS-EA Module



External Port

M7800C-48GT4XS-EA module provides 48 10/100/1000BASE-T RJ45 ports and 4 SFP+ ports. The RJ45 ports support auto-negotiation at 10/100/1000 Mbps, and the SFP+ ports support 10G SFP+ modules, Gigabit SFP modules and hot swapping. Copper ports do not support half-duplex at 10/100Mbps.

- i** The M7800C-48GT4XS-EA supports 10G SFP+ and Gigabit SFP modules. 10G SFP+ modules cannot be used as Gigabit SFP modules.

LED

| LED | Identification on the panel | Status | Meaning |
|---------------|-----------------------------|----------------|--|
| System LED | Status | Off | The module is powered off. |
| | | Solid red | The module is faulty. |
| | | Blinking green | Initialization is in progress. Continuous blinking indicates errors. |
| | | Solid green | The module is operational |
| GT port LED | Link/ACT | Off | The port link is NOT connected. |
| | | Solid green | The port is connected at 1000Mbps. |
| | | Solid yellow | The port is connected at 10/100Mbps. |
| | | Blinking | The port is transmitting and receiving data. |
| SFP+ port LED | Link/ACT | Off | The port link is NOT connected. |
| | | Solid green | The port is connected. |
| | | Blinking | The port is transmitting and receiving data. |

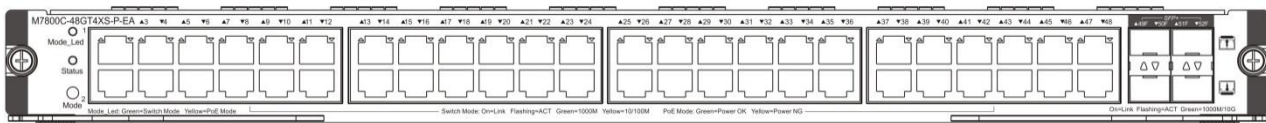
Specifications

| | | |
|------------------------|---|---|
| Model | M7800C-48GT4XS-EA | |
| CPU | Quad-core CPU, each core with the clock speed of 1.0G | |
| BOOTROM | 8 MB | |
| Flash Memory | 512 MB | |
| SDRAM | DDRIII 1 GB | |
| External Port | 48 10/100/1000BASE-T RJ45 ports, 4 SFP+ ports | |
| Transmission Medium | 10/100/1000BASE-T 1000BASE-SX (850nm) 1000BASE-LX (1310nm) 1000BASE-LH (1310nm) 1000BASE-ZX (1550nm) 10GBASE-SR (850nm) 10GBASE-LR (1310nm) 10GBASE-ER (1550nm) 10GBASE-ZR (1550nm) XG-SFP-AOC1M XG-SFP-AOC3M XG-SFP-AOC5M | Cat-5 UTP Multi-mode optical fiber Single-mode optical fiber Single-mode optical fiber Single-mode optical fiber Multi-mode optical fiber Single-mode optical fiber Single-mode optical fiber Single-mode optical fiber 1m SFP+ active optical cable 3m SFP+ active optical cable 5m SFP+ active optical cable |
| LED | Status, Link/ACT | |
| Hot Swapping | Supported | |
| Power Consumption | < 70W | |
| EMC Standards | GB9254-2008 CLASS A | |
| Safety Standards | GB4943-2011 | |
| Operating Temperature | 0°C to 50°C | |
| Storage Temperature | -40°C to 70°C | |
| Operating Humidity | 10% to 90% RH (non-condensing) | |
| MTBF | 329,000 hours | |
| Weight | Net weight: 2.8 kg | |
| Dimensions (W x D x H) | 438.5 mm x 309.0 mm x 40.1 mm | |

2.1.2.5 M7800C-48GT4XS-P-EA

Module Appearance

Figure 2-7 Appearance of the M7800C-48GT4XS-P-EA Module



External Port

M7800C-48GT4XS-P-EA provides 48 10/100/1000BASE-T RJ45 ports and 4 SFP+ ports. The RJ45 ports support auto-negotiation at 10/100/1000 Mbps, and the SFP+ ports support 10G SFP+ modules, Gigabit SFP modules and hot swapping. Copper ports do not support half-duplex at 10/100Mbps.

PoE Power Supply

The M7800C-48GT4XS-P-EA supports IEEE802.3af and IEEE802.3at PoE. It adopts the Alternative A mode for transmitting power over Ethernet cabling, that is, power is transmitted through cable pairs 1, 2, 3 and 6.

LED

| LED | Identification on the panel | on | Status | Meaning |
|-----|-----------------------------|----|--------|---------|
|-----|-----------------------------|----|--------|---------|

| | | | |
|-----------------------------------|----------|----------------|--|
| System LED | Status | Off | The module is powered off. |
| | | Solid red | The module is faulty. |
| | | Solid yellow | High temperature alarm. The system keeps operating but the performance is affected |
| | | Blinking green | Initialization is in progress. Continuous blinking indicates errors. |
| | | Solid green | The module is operational |
| Mode LED | Mode_LED | Solid green | Switching mode |
| | | Solid yellow | PoE mode |
| RJ45 port LED (in switching mode) | Link/ACT | Off | The port link is NOT connected. |
| | | Solid green | The port is connected at 1000Mbps. |
| | | Solid yellow | The port is connected at 10/100Mbps. |
| | | Blinking | The port is transmitting and receiving data. |
| RJ45 port LED(in PoE mode) | Link/ACT | Off | The port does NOT provide PoE power supply. |
| | | Solid green | The port provides PoE power supply |
| | | Solid yellow | The port is overloaded and short-circuited, Power overload causes failure to provide PoE power supply. |
| SFP+ port LED | Link/ACT | Off | The port link is NOT connected. |
| | | Solid green | The port is connected. |
| | | Blinking | The port is transmitting and receiving data. |

Button

The Mode button has the following functions:

- Press the "Mode" button to change the mode between switching and PoE. The green LED indicates switching mode and the yellow LED indicates PoE mode.
- In PoE mode, hold down the "Mode" button for three seconds to disable PoE power supply and switch to switching mode. The LED turns green to indicate switching mode. After power on, the system is powered by PoE power supply by default.

Specifications

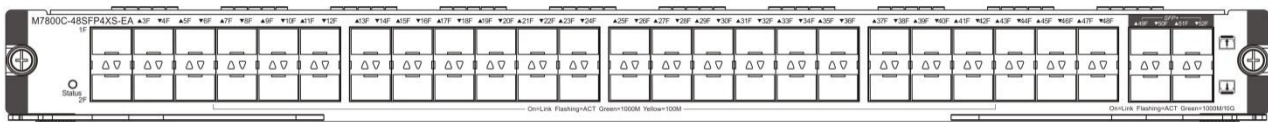
| | | | | | | | | | | | | | | | | | | | | | | | | | |
|----------------------|--|-------------------|-----------|---------------------|--------------------------|----------------------|---------------------------|----------------------|---------------------------|----------------------|---------------------------|--------------------|--------------------------|---------------------|---------------------------|---------------------|---------------------------|---------------------|---------------------------|--------------|------------------------------|--------------|------------------------------|--------------|------------------------------|
| Model | M7800C-48GT4XS-P-EA | | | | | | | | | | | | | | | | | | | | | | | | |
| CPU | Quad-core CPU, each core with the clock speed of 1.0G | | | | | | | | | | | | | | | | | | | | | | | | |
| BOOTROM | 8 MB | | | | | | | | | | | | | | | | | | | | | | | | |
| Flash Memory | 512 MB | | | | | | | | | | | | | | | | | | | | | | | | |
| SDRAM | DDRIII 1 GB | | | | | | | | | | | | | | | | | | | | | | | | |
| Port Type | 48 copper ports (PoE-capable and PoE+-capable) , 4 SFP+ ports | | | | | | | | | | | | | | | | | | | | | | | | |
| Transmission Medium | <table border="0"> <tbody> <tr> <td>10/100/1000BASE-T</td> <td>Cat-5 UTP</td> </tr> <tr> <td>1000BASE-SX (850nm)</td> <td>Multi-mode optical fiber</td> </tr> <tr> <td>1000BASE-LX (1310nm)</td> <td>Single-mode optical fiber</td> </tr> <tr> <td>1000BASE-LH (1310nm)</td> <td>Single-mode optical fiber</td> </tr> <tr> <td>1000BASE-ZX (1550nm)</td> <td>Single-mode optical fiber</td> </tr> <tr> <td>10GBASE-SR (850nm)</td> <td>Multi-mode optical fiber</td> </tr> <tr> <td>10GBASE-LR (1310nm)</td> <td>Single-mode optical fiber</td> </tr> <tr> <td>10GBASE-ER (1550nm)</td> <td>Single-mode optical fiber</td> </tr> <tr> <td>10GBASE-ZR (1550nm)</td> <td>Single-mode optical fiber</td> </tr> <tr> <td>XG-SFP-AOC1M</td> <td>1m SFP+ active optical cable</td> </tr> <tr> <td>XG-SFP-AOC3M</td> <td>3m SFP+ active optical cable</td> </tr> <tr> <td>XG-SFP-AOC5M</td> <td>5m SFP+ active optical cable</td> </tr> </tbody> </table> | 10/100/1000BASE-T | Cat-5 UTP | 1000BASE-SX (850nm) | Multi-mode optical fiber | 1000BASE-LX (1310nm) | Single-mode optical fiber | 1000BASE-LH (1310nm) | Single-mode optical fiber | 1000BASE-ZX (1550nm) | Single-mode optical fiber | 10GBASE-SR (850nm) | Multi-mode optical fiber | 10GBASE-LR (1310nm) | Single-mode optical fiber | 10GBASE-ER (1550nm) | Single-mode optical fiber | 10GBASE-ZR (1550nm) | Single-mode optical fiber | XG-SFP-AOC1M | 1m SFP+ active optical cable | XG-SFP-AOC3M | 3m SFP+ active optical cable | XG-SFP-AOC5M | 5m SFP+ active optical cable |
| 10/100/1000BASE-T | Cat-5 UTP | | | | | | | | | | | | | | | | | | | | | | | | |
| 1000BASE-SX (850nm) | Multi-mode optical fiber | | | | | | | | | | | | | | | | | | | | | | | | |
| 1000BASE-LX (1310nm) | Single-mode optical fiber | | | | | | | | | | | | | | | | | | | | | | | | |
| 1000BASE-LH (1310nm) | Single-mode optical fiber | | | | | | | | | | | | | | | | | | | | | | | | |
| 1000BASE-ZX (1550nm) | Single-mode optical fiber | | | | | | | | | | | | | | | | | | | | | | | | |
| 10GBASE-SR (850nm) | Multi-mode optical fiber | | | | | | | | | | | | | | | | | | | | | | | | |
| 10GBASE-LR (1310nm) | Single-mode optical fiber | | | | | | | | | | | | | | | | | | | | | | | | |
| 10GBASE-ER (1550nm) | Single-mode optical fiber | | | | | | | | | | | | | | | | | | | | | | | | |
| 10GBASE-ZR (1550nm) | Single-mode optical fiber | | | | | | | | | | | | | | | | | | | | | | | | |
| XG-SFP-AOC1M | 1m SFP+ active optical cable | | | | | | | | | | | | | | | | | | | | | | | | |
| XG-SFP-AOC3M | 3m SFP+ active optical cable | | | | | | | | | | | | | | | | | | | | | | | | |
| XG-SFP-AOC5M | 5m SFP+ active optical cable | | | | | | | | | | | | | | | | | | | | | | | | |
| LED | Status, Link/ACT, Mode_LED | | | | | | | | | | | | | | | | | | | | | | | | |
| Button | Mode button | | | | | | | | | | | | | | | | | | | | | | | | |
| Hot Swapping | Supported | | | | | | | | | | | | | | | | | | | | | | | | |

| | |
|------------------------|---|
| Power Consumption | No PoE or PoE+ supply: <70W; PoE supply: <70W+15.4W x N (N is the number of PoE ports in use, no greater than 48); PoE+ supply: <70W+30W x N (N is the number of PoE+ ports in use, no greater than 48) |
| EMC Standards | GB9254-2008 CLASS A |
| Safety Standards | GB4943-2011 |
| Operating Temperature | 0°C to 50°C |
| Storage Temperature | -40°C to 70°C |
| Operating Humidity | 0% to 90% RH (non-condensing) |
| MTBF | 321,000 hours |
| Weight | Net weight: 3.20 kg |
| Dimensions (W x D x H) | 438.5 mm x 309.0 mm x 40.1 mm |

2.1.2.6 M7800C-48SFP4XS-EA

Module Appearance

Figure 2-8 Appearance of the M7800C-48SFP4XS-EA Module



External Port

M7800C-48SFP4XS-EA provides 48 SFP ports and 4 SFP+ ports. The SFP ports support hot swapping and the rate of 100/1000Mbps. And the SFP+ ports support 10G SFP+ modules, Gigabit SFP modules and hot swapping.

- i** The M7800C-48SFP4XS-EA supports 10G SFP+ and Gigabit SFP modules. 10G SFP+ modules cannot be used as Gigabit SFP modules.

LED

| LED | Identification on the panel | Status | Meaning |
|---------------|-----------------------------|----------------|--|
| System LED | Status | Off | The module is powered off. |
| | | Solid red | The module is faulty. |
| | | Solid yellow | High temperature alarm. The system keeps operating but the performance is affected |
| | | Blinking green | Initialization is in progress. Continuous blinking indicates errors. |
| | | Solid green | The module is operational |
| SFP port LED | Link/ACT | Off | The port link is NOT connected. |
| | | Solid green | The port is connected at 1000Mbps. |
| | | Solid yellow | The port is connected at 100Mbps. |
| | | Blinking | The port is transmitting and receiving data. |
| SFP+ port LED | Link/ACT | Off | The port link is NOT connected. |
| | | Solid green | The port is connected. |
| | | Blinking | The port is transmitting and receiving data. |

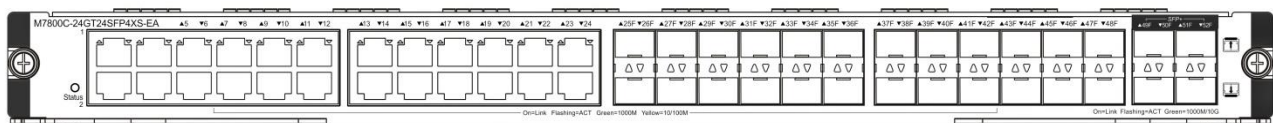
Specifications

| | | |
|------------------------|---|---|
| Model | M7800C-48SFP4XS-EA | |
| CPU | Quad-core CPU, each core with the clock speed of 1.0G | |
| BOOTROM | 8 MB | |
| Flash Memory | 512 MB | |
| SDRAM | DDRIII 1 GB | |
| Port Type | 48 SFP ports and 4 SFP+ ports | |
| Transmission Medium | 100BASE-FX(1310nm) 100BASE-FX (1550nm) 1000BASE-SX (850nm) 1000BASE-LX (1310nm) 1000BASE-LH (1310nm) 1000BASE-ZX (1550nm) 10GBASE-SR (850nm) 10GBASE-LR (1310nm) 10GBASE-ER (1550nm) 10GBASE-ZR (1550nm) XG-SFP-AOC1M XG-SFP-AOC3M XG-SFP-AOC5M | Multi-mode or single-mode optical fiber, supported by SFP ports while not supported by SFP+ ports. Single-mode optical fiber, supported by SFP ports while not supported by SFP+ ports. Multi-mode optical fiber Single-mode optical fiber Single-mode optical fiber Single-mode optical fiber Multi-mode optical fiber Single-mode optical fiber Single-mode optical fiber Single-mode optical fiber Single-mode optical fiber 1m SFP+ active optical cable 3m SFP+ active optical cable 5m SFP+ active optical cable |
| LED | Status, Link/ACT | |
| Hot Swapping | Supported | |
| Power Consumption | <101W | |
| EMC Standards | GB9254-2008 CLASS A | |
| Safety Standards | GB4943-2011 | |
| Operating Temperature | 0°C to 50°C | |
| Storage Temperature | -40°C to 70°C | |
| Operating Humidity | 10% to 90% RH (non-condensing) | |
| MTBF | 337,000 hours | |
| Weight | Net weight: 2.8 kg | |
| Dimensions (W x D x H) | 438.5 mm x 309.0 mm x 40.1 mm | |

2.1.2.7 M7800C-24GT24SFP4XS-EA

Module Appearance

Figure 2-9 Appearance of the M7800C-24GT24SFP4XS-EA Module



External Port

M7800C-24GT24SFP4XS-EA provides 24 10/100/1000BASE-T RJ45 ports, 24 SFP ports and 4 SFP+ ports. The RJ45 ports support 10/100/1000Mbps auto-negotiation. The SFP ports support hot swapping and the rate of 100/1000Mbps.

And the SFP+ ports support 10G SFP+ modules, Gigabit SFP modules and hot swapping. The copper ports at 10/100Mbps do not support half-duplex mode.

- i** The M7800C-24GT24SFP4XS-EA supports 10G SFP+ and Gigabit SFP modules. 10G SFP+ modules cannot be used as Gigabit SFP modules.

LED

| LED | Identification on the panel | Status | Meaning |
|---------------|-----------------------------|----------------|--|
| System LED | Status | Off | The module is powered off. |
| | | Solid red | The module is faulty. |
| | | Solid yellow | High temperature alarm. The system keeps operating but the performance is affected |
| | | Blinking green | Initialization is in progress. Continuous blinking indicates errors. |
| | | Solid green | The module is operational |
| GT port LED | Link/ACT | Off | The port link is NOT connected. |
| | | Solid green | The port is connected at 1000Mbps. |
| | | Solid yellow | The port is connected at 10Mbps or 100Mbps. |
| | | Blinking | The port is transmitting and receiving data. |
| SFP port LED | Link/ACT | Off | The port link is NOT connected. |
| | | Solid green | The port is connected at 1000Mbps. |
| | | Solid yellow | The port is connected at 100Mbps. |
| | | Blinking | The port is transmitting and receiving data. |
| SFP+ port LED | Link/ACT | Off | The port link is NOT connected. |
| | | Solid green | The port is connected. |
| | | Blinking | The port is transmitting and receiving data. |

Specifications

| | | |
|---------------------|--|---|
| Model | M7800C-24GT24SFP4XS-EA | |
| CPU | Quad-core CPU, each core with the clock speed of 1.0G | |
| BOOTROM | 8 MB | |
| Flash Memory | 512 MB | |
| SDRAM | DDRIII 1 GB | |
| Port Type | 24 10/100/1000BASE-T RJ45 ports, 24 SFP ports and 4 SFP+ ports | |
| Transmission Medium | 10/100/1000BASE-T 100BASE-FX(1310nm) 100BASE-FX (1550nm) 1000BASE-SX (850nm) 1000BASE-LX (1310nm) 1000BASE-LH (1310nm) 1000BASE-ZX (1550nm) 10GBASE-SR (850nm) 10GBASE-LR (1310nm) 10GBASE-ER (1550nm) 10GBASE-ZR (1550nm) XG-SFP-AOC1M XG-SFP-AOC3M XG-SFP-AOC5M | Cat-5 UTP Multi-mode or single-mode optical fiber, supported by SFP ports while not supported by SFP+ ports. Single-mode optical fiber, supported by SFP ports while not supported by SFP+ ports. Multi-mode optical fiber Single-mode optical fiber Single-mode optical fiber Single-mode optical fiber Multi-mode optical fiber Single-mode optical fiber Single-mode optical fiber Single-mode optical fiber 1m SFP+ active optical cable 3m SFP+ active optical cable 5m SFP+ active optical cable |
| LED | Status, Link/ACT | |
| Hot Swapping | Supported | |
| Power Consumption | <88W | |
| EMC Standards | GB9254-2008 CLASS A | |
| Safety | GB4943-2011 | |

| | |
|------------------------|--------------------------------|
| Standards | |
| Operating Temperature | 0°C to 50°C |
| Storage Temperature | -40°C to 70°C |
| Operating Humidity | 10% to 90% RH (non-condensing) |
| MTBF | 334,000 hours |
| Weight | Net weight: 2.85 kg |
| Dimensions (W x D x H) | 438.5 mm x 309.0 mm x 40.1 mm |

2.1.3 Switch Fabric Modules

The RG-S7800C series switches do not support independent RGOS11.X switch fabric modules.

2.2 RGOS12.X Modules

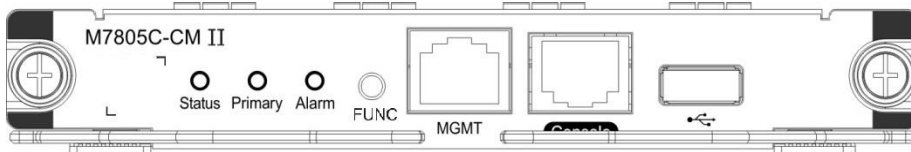
2.2.1 RGOS12.X Supervisor Modules

2.2.1.1 M7805C-CM II

M7805C-CM II is the supervisor module of the RG-S7805C series switches and is designed with management and switching functions.

Module Appearance

Figure 2-10 Appearance of the M7805C-CM II Module



External Port

The M7805C-CM II module provides three external ports:

- **Universal Serial Bus (USB) port:** By connecting to the USB port, the USB storage devices can store logs, host version, alarms and other diagnosis information, facilitating online upgrade of switch software and storage of logs.
 - i** To secure data and prevent damage to the device, it is recommended to use high-quality flash disks produced by reliable manufacturers. The USB port is compatible with most USB controllers but may be unable to identify some USB disk models.
- **Console port:** As a serial communications port, it uses the RS-232 interface level and standard RJ-45 connector. This port is used to connect the device to serial ports of background terminal computers to perform tasks including system commissioning, configuration, maintenance, management, and host software loading.
- **10/100/1000M MGMT port:** As the 10/100/1000BASE-T Ethernet port, it uses the RJ-45 connector. This port can be used to connect the device to the Ethernet port of the background computer to load programs. Use the standard cable to connect the device to the Ethernet port of the background computer.

Button

The M7805C-CM II module provides a FUNC button, which is used to reset the system. If the button is held for less than five seconds, it is a short press; if the button is held for five seconds or longer, it is a long press.


- i** In case of a short press, the Status LED flashes in green, and the device resets within five seconds after the press. In case of a long press, the Status LED flashes in green and then flashes in red; the device resets within five seconds after the press.
- i** Press the button, and the system starts to collect information, during which the device will not restart. After the collection is complete, the device restarts automatically. Hold the button for a while and release it, the device restarts automatically in five seconds.

LED

| LED | Identification on the panel | Status | Meaning |
|--------------------------------------|-----------------------------|----------------|--|
| System LED | Status | Off | The module is powered off. |
| | | Solid red | The module is faulty. |
| | | Blinking green | Initialization is in progress. Continuous blinking indicates errors. |
| | | Solid green | The module is operational. |
| Active/standby supervisor module LED | Primary | Off | The module acts as the standby supervisor module. |
| | | Solid green | The module acts as the primary supervisor module. |
| Alarm LED | Alarm | Off | No fault |
| | | Solid red | The whole system or a module fails to work. The device may be damaged if it continues operating. |
| | | Solid yellow | The temperature exceeds the threshold but the system continues operating. |
| MGMT port LED | MGMT | Off | The MGMT port is NOT connected. |
| | | Green | The MGMT port is connected at 1000Mbps. |
| | | Yellow | The MGMT port is connected at 10/100Mbps. |
| | | Blinking | The MGMT port is transmitting or receiving data. |

Specifications

| | |
|------------------------|--|
| Model | M7805C-CM II |
| CPU | Quad-core CPU, each core with the clock speed of 1.0G |
| BOOTROM | 8 MB |
| Flash Memory | 1 GB |
| SDRAM | DDRIII 4 GB |
| External Port | One Console port One 10/100/1000M MGMT port One USB port |
| Button | FUNC button |
| Power Consumption | <21W |
| Hot Swapping | Supported |
| Management Redundancy | Supported |
| EMC Standards | GB9254-2008 CLASS A |
| Safety Standards | GB4943-2011 |
| Operating Temperature | 0°C to 50°C |
| Storage Temperature | -40°C to 70°C |
| Operating Humidity | 10% to 90% RH (non-condensing) |
| MTBF | 312,000 hours |
| Weight | Net weight: 0.86 kg |
| Dimensions (W x D x H) | 151.0 mm x 309.0 mm x 23.6 mm |

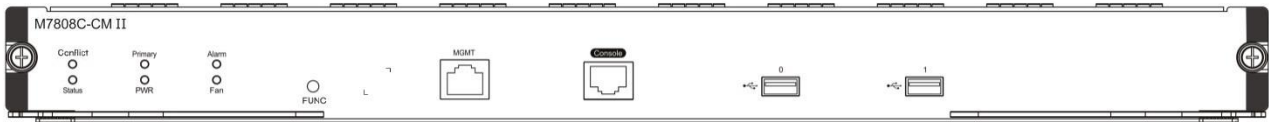
 The M7805C-CM II adopts the CR2032 lithium battery. The device may explode if a wrong battery model is used. Used batteries should be properly disposed of.

2.2.1.2 M7808C-CM II

M7808C-CM II is the supervisor module of the RG-S7808C series switches and is designed with management and switching functions.

Module Appearance

Figure 2-11 Appearance of the M7808C-CM II Module



External Port

The M7808C-CM II module provides three external ports:

- **Universal Serial Bus (USB) port:** By connecting to the USB port, the USB storage devices can store logs, host version, alarms and other diagnosis information, facilitating online upgrade of switch software and storage of logs.

i To secure data and prevent damage to the device, it is recommended to use high-quality flash disks produced by reliable manufacturers. The USB port is compatible with most USB controllers but may be unable to identify some USB disk models.

- **Console port:** As a serial communications port, it uses the RS-232 interface level and standard RJ-45 connector. This port is used to connect the device to serial ports of background terminal computers to perform tasks including system commissioning, configuration, maintenance, management, and host software loading.
- **10/100/1000M MGMT port:** As the 10/100/1000BASE-T Ethernet port, it uses the RJ-45 connector. This port can be used to connect the device to the Ethernet port of the background computer to load programs. Use the standard cable to connect the device to the Ethernet port of the background computer.

Button

The M7808C-CM II module provides a FUNC button, which is used to reset the system. If the button is held for less than five seconds, it is a short press; if the button is held for five seconds or longer, it is a long press.

i In case of a short press, the Status LED flashes in green, and the device resets within five seconds after the press. In case of a long press, the Status LED flashes in green and then flashes in red; the device resets within five seconds after the press.

i Press the button, and the system starts to collect information, during which the device will not restart. After the collection is complete, the device restarts automatically. Hold the button for a while and release it, the device restarts automatically in five seconds.

LED

| LED | Identification on the panel | Status | Meaning |
|--------------------------------------|-----------------------------|----------------|--|
| System LED | Status | Off | The module is powered off. |
| | | Solid red | The module is faulty. |
| | | Blinking green | Initialization is in progress. Continuous blinking indicates errors. |
| | | Solid green | The module is operational. |
| Active/standby supervisor module LED | Primary | Off | The module acts as the standby supervisor module. |
| | | Solid green | The module acts as the primary supervisor module. |
| Alarm LED | Alarm | Off | No fault |
| | | Solid red | The whole system or a module fails to work. The device may be damaged if it continues operating. |
| | | Solid yellow | The temperature exceeds the threshold but the system continues operating. |
| Fan status LED | FAN | Solid green | The fan is operational. |
| | | Solid yellow | The fan is NOT in the position. |
| | | Solid red | The fan is faulty. |
| Power status LED | PWR | Off | The power supply module is NOT in the position. |
| | | Solid green | The power supply module is operational. |
| | | Solid red | The power supply module is faulty. |
| MGMT port LED | MGMT | Off | The MGMT port is NOT connected. |
| | | Green | The MGMT port is connected at 1000Mbps. |
| | | Yellow | The MGMT port is connected at 10/100Mbps. |
| | | Blinking | The MGMT port is transmitting or receiving data. |
| Conflict LED | Conflict | Off | The modules are compatible. |

| | | | |
|--|--|--------------|---------------------------------|
| | | Solid yellow | The modules are not compatible. |
|--|--|--------------|---------------------------------|

Specifications

| | |
|------------------------|---|
| Model | M7808C-CM II |
| CPU | Quad-core CPU, each core with the clock speed of 1.5G |
| BOOTROM | 16 MB |
| Flash Memory | 8 GB |
| SDRAM | DDR4 4GB |
| External Port | One Console port One 10/100/1000M MGMT port Two USB ports |
| Button | FUNC button |
| Power Consumption | <50W |
| Hot Swapping | Supported |
| Management Redundancy | Supported |
| EMC Standards | GB9254-2008 CLASS A |
| Safety Standards | GB4943-2011 |
| Operating Temperature | 0°C to 50°C |
| Storage Temperature | -40°C to 70°C |
| Operating Humidity | 10% to 90% RH (non-condensing) |
| MTBF | 912,000 hours |
| Weight | Net weight: 2.1 kg |
| Dimensions (W x D x H) | 438.5 mm x 309.0 mm x 40.1 mm |

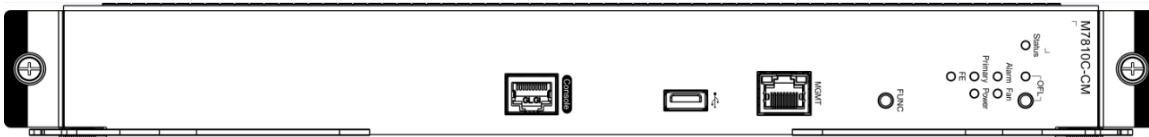
! The M7808C-CM II adopts the CR2032 lithium battery. The device may explode if a wrong battery model is used. Used batteries should be properly disposed of.

2.2.1.3 M7810C-CM

M7810C-CM is the supervisor module of the RG-S7810C series switches and is designed with management and switching functions.

Module Appearance

Figure 2-12 Appearance of the M7810C-CM Module



External Port

The M7810C-CM module provides three external ports:

- **Universal Serial Bus (USB) port:** By connecting to the USB port, the USB storage devices can store logs, host version, alarms and other diagnosis information, facilitating online upgrade of switch software and storage of logs.
- i** To secure data and prevent damage to the device, it is recommended to use high-quality flash disks produced by reliable manufacturers. The USB port is compatible with most USB controllers but may be unable to identify some USB disk models.
- **Console port:** As a serial communications port, it uses the RS-232 interface level and standard RJ-45 connector. This port is used to connect the device to serial ports of background terminal computers to perform tasks including system commissioning, configuration, maintenance, management, and host software loading.
- **10/100/1000M MGMT port:** As the 10/100/1000BASE-T Ethernet port, it uses the RJ-45 connector. This port can be used to connect the device to the Ethernet port of the background computer to load programs. Use the standard cable to connect the device to the Ethernet port of the background computer.

Button

The M7810C-CM module provides two buttons.

- **FUNC button:** It is used to reset the system. If the button is held for less than five seconds, it is a short press; if the button is held for five seconds or longer, it is a long press.

i Press the button, and the system starts to collect information, during which the device will not restart. After the collection is complete, the device restarts automatically. Hold the button for a while and release it, the device restarts automatically in five seconds.

- **OFL button:** Press the button for about five seconds and release the button. When the LED turns green, you can remove the FE card. Otherwise, packet loss may occur.

i When there is only one supervisor module, the OFL button will lose effect.

LED

| LED | Identification on the panel | Status | Meaning |
|--------------------------------------|-----------------------------|----------------|--|
| System LED | Status | Off | The module is powered off. |
| | | Solid red | The module is faulty. |
| | | Blinking green | Initialization is in progress. Continuous blinking indicates errors. |
| | | Solid green | The module is operational. |
| Active/standby supervisor module LED | Primary | Off | The module acts as the standby supervisor module. |
| | | Solid green | The module acts as the primary supervisor module. |
| Alarm LED | Alarm | Off | No fault |
| | | Solid red | The whole system or a module fails to work. The device may be damaged if it continues operating. |
| | | Solid yellow | The temperature exceeds the threshold but the system continues operating. |
| Fan status LED | Fan | Solid Green | The fan module is operational. |
| | | Solid Yellow | The fan module is not in position or powered off. |
| | | Solid Red | A failure occurred. |
| Power status LED | Power | Off | The power module is not in position. |
| | | Solid Green | The power module is operational. |
| | | Solid Red | A failure occurred. |
| Switching fabric module LED | FE | Off | The switching fabric module is not in position or powered off. |
| | | Solid Green | The switching fabric module is operational. |
| | | Solid Red | A failure occurred. |
| MGMT port LED | MGMT | Off | The MGMT port is NOT connected. |
| | | Green | The MGMT port is connected at 1000Mbps. |
| | | Yellow | The MGMT port is connected at 10/100Mbps. |
| | | Blinking | The MGMT port is transmitting or receiving data. |
| Offline LED | OFL | Off | Switching service is in progress. The module cannot be removed. |
| | | Green | Release the Offline button and wait for 2s before removing the module. |

Specifications

| | |
|---------------|--|
| Model | M7810C-CM |
| CPU | Quad-core CPU, each core with the clock speed of 1.5G |
| BOOTROM | 16 MB |
| Flash Memory | 8 GB |
| SDRAM | DDR4 4GB |
| External Port | One Console port One 10/100/1000M MGMT port One USB port |

| | |
|------------------------|--------------------------------|
| Button | FUNC button and OFL button |
| Power Consumption | <50W |
| Hot Swapping | Supported |
| Management Redundancy | Supported |
| EMC Standards | GB9254-2008 CLASS A |
| Safety Standards | GB4943-2011 |
| Operating Temperature | 0°C to 50°C |
| Storage Temperature | -40°C to 70°C |
| Operating Humidity | 10% to 90% RH (non-condensing) |
| MTBF | 794,000 hours |
| Weight | Net weight: 1.9 kg |
| Dimensions (W x D x H) | 371.0 mm x 248.0 mm x 43.0 mm |

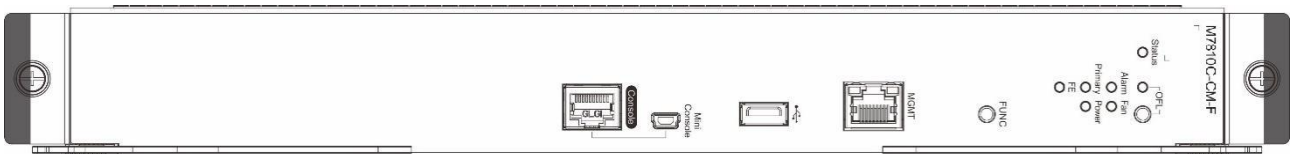
! The M7810C-CM adopts the CR2032 lithium battery. The device may explode if a wrong battery model is used. Used batteries should be properly disposed of.

2.2.1.4 M7810C-CM-F

M7810C-CM-F is the supervisor module of the RG-S7810C series switches and is designed with management and switching functions.

Module Appearance

Figure 2-13 Appearance of the M7810C-CM-F Module



External Port

The M7810C-CM-F module provides four external ports:

- **Universal Serial Bus (USB) port:** By connecting to the USB port, the USB storage devices can store logs, host version, alarms and other diagnosis information, facilitating online upgrade of switch software and storage of logs.
 - i** To secure data and prevent damage to the device, it is recommended to use high-quality flash disks produced by reliable manufacturers. The USB port is compatible with most USB controllers but may be unable to identify some USB disk models.
- **Console port:** As a serial communications port, it uses the RS-232 interface level and standard RJ-45 connector. This port is used to connect the device to serial ports of background terminal computers to perform tasks including system commissioning, configuration, maintenance, management, and host software loading.
- **Mini USB port:** The mini USB port takes the same function as the console port but only one port is allowed to be used. The mini USB port has a higher priority.
- **10/100/1000M MGMT port:** As the 10/100/1000BASE-T Ethernet port, it uses the RJ-45 connector. This port can be used to connect the device to the Ethernet port of the background computer to load programs. Use the standard cable to connect the device to the Ethernet port of the background computer.

Button

The M7810C-CM-F module provides two buttons:

- **FUNC button:** It is used to reset the system. If the button is held for less than five seconds, it is a short press; if the button is held for five seconds or longer, it is a long press.
 - i** In case of a short press, the Status LED flashes in green, and the device resets within five seconds after the press. In case of a long press, the Status LED flashes in green and then flashes in red; the device resets within five seconds after the press.

- i** Press the button, and the system starts to collect information, during which the device will not restart. After the collection is complete, the device restarts automatically. Hold the button for a while and release it, the device restarts automatically in five seconds.
- **OFL** button: Press the button for about five seconds and release the button. When the LED turns green, you can remove the FE card. Otherwise, packet loss may occur.
- i** When there is only one supervisor module, the OFL button will lose effect.

LED

| LED | Identification on the panel | Status | Meaning |
|--------------------------------------|-----------------------------|----------------|--|
| System LED | Status | Off | The module is powered off. |
| | | Solid red | The module is faulty. |
| | | Blinking green | Initialization is in progress. Continuous blinking indicates errors. |
| | | Solid green | The module is operational. |
| Active/standby supervisor module LED | Primary | Off | The module acts as the standby supervisor module. |
| | | Solid green | The module acts as the primary supervisor module. |
| Alarm LED | Alarm | Off | No fault |
| | | Solid red | The whole system or a module fails to work. The device may be damaged if it continues operating. |
| | | Solid yellow | The temperature exceeds the threshold but the system continues operating. |
| Fan status LED | Fan | Solid Green | The fan module is operational. |
| | | Solid Yellow | The fan module is not in position or powered off. |
| | | Solid Red | A failure occurred. |
| Power status LED | Power | Off | The power module is not in position. |
| | | Solid Green | The power module is operational. |
| | | Solid Red | A failure occurred. |
| Switching fabric module LED | FE | Off | The switching fabric module is not in position or powered off. |
| | | Solid Green | The switching fabric module is operational. |
| | | Solid Red | A failure occurred. |
| MGMT port LED | MGMT | Off | The MGMT port is NOT connected. |
| | | Green | The MGMT port is connected at 1000Mbps. |
| | | Yellow | The MGMT port is connected at 10/100Mbps. |
| | | Blinking | The MGMT port is transmitting or receiving data. |
| Offline LED | OFL | Off | Switching service is in progress. The module cannot be removed. |
| | | Green | Release the Offline button and wait for 2s before removing the module. |

Specifications

| | |
|-------------------|---|
| Model | M7810C-CM-F |
| CPU | Quad-core CPU, each core with the clock speed of 1.5G |
| BOOTROM | 16 MB |
| Flash Memory | 8 GB |
| SDRAM | DDR4 4GB |
| External Port | One Console port Mini USB port One 10/100/1000M MGMT port One USB port |
| Button | FUNC button and OFL button |
| Power Consumption | <110W |
| Hot Swapping | Supported |

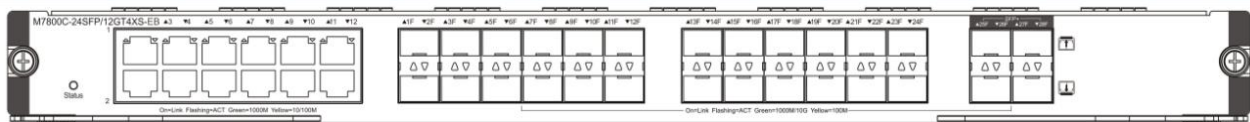
| | |
|------------------------|--------------------------------|
| Management Redundancy | Supported |
| EMC Standards | GB9254-2008 CLASS A |
| Safety Standards | GB4943-2011 |
| Operating Temperature | 0°C to 50°C |
| Storage Temperature | -40°C to 70°C |
| Operating Humidity | 10% to 90% RH (non-condensing) |
| MTBF | 312,000 hours |
| Weight | Net weight: 2.3 kg |
| Dimensions (W x D x H) | 371.0 mm x 236.3 mm x 43.0 mm |

2.2.2 RGOS12.X Service Modules

2.2.2.1 M7800C-24SFP/12GT4XS-EB

Module Appearance

Figure 2-14 Appearance of the M7800C-24SFP/12GT4XS-EB



External Port

M7800C-24SFP/12GT4XS-EB provides 12 10/100/1000BASE-T RJ45 ports, 24 SFP ports and 4 SFP+ ports. The first 12 SFP ports are combo ports. The RJ45 ports support 10/100/1000Mbps auto-negotiation. The SFP ports support hot swapping and the rate of 100/1000Mbps. And the SFP+ ports support 10G SFP+ modules, Gigabit SFP modules and hot swapping. The copper ports at 10/100Mbps do not support half-duplex mode.

- i** The M7800C-24SFP/12GT4XS-EB supports 10G SFP+ and Gigabit SFP modules. 10G SFP+ modules cannot be used as Gigabit SFP modules.

LED

| LED | Identification on the panel | Status | Meaning |
|---------------|-----------------------------|----------------|--|
| System LED | Status | Off | The module is powered off. |
| | | Solid red | The module is faulty. |
| | | Blinking green | Initialization is in progress. Continuous blinking indicates errors. |
| | | Solid green | The module is operational |
| GT port LED | Link/ACT | Off | The port link is NOT connected. |
| | | Solid green | The port is connected at 1000Mbps. |
| | | Solid yellow | The port is connected at 10Mbps or 100Mbps. |
| | | Blinking | The port is transmitting and receiving data. |
| SFP port LED | Link/ACT | Off | The port link is NOT connected. |
| | | Solid green | The port is connected at 1000Mbps. |
| | | Solid yellow | The port is connected at 100Mbps. |
| | | Blinking | The port is transmitting and receiving data. |
| SFP+ port LED | Link/ACT | Off | The port link is NOT connected. |
| | | Solid green | The port is connected. |
| | | Blinking | The port is transmitting and receiving data. |

Specifications

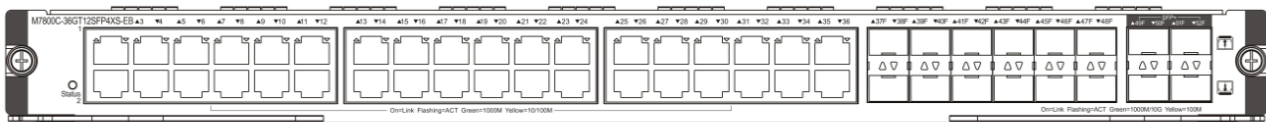
| | |
|-------|-------------------------|
| Model | M7800C-24SFP/12GT4XS-EB |
|-------|-------------------------|

| | | |
|------------------------|--|---|
| CPU | Quad-core CPU, each core with the clock speed of 1.0G | |
| BOOTROM | 8 MB | |
| Flash Memory | 512 MB | |
| SDRAM | DDRIII 1 GB | |
| Port Type | 12 10/100/1000BASE-T RJ45 ports, 24 SFP ports and 4 SFP+ ports | |
| Transmission Medium | 10/100/1000BASE-T 100BASE-FX(1310nm) 100BASE-FX (1550nm) 1000BASE-SX (850nm) 1000BASE-LX (1310nm) 1000BASE-LH (1310nm) 1000BASE-ZX (1550nm) 10GBASE-SR (850nm) 10GBASE-LR (1310nm) 10GBASE-ER (1550nm) 10GBASE-ZR (1550nm) XG-SFP-AOC1M XG-SFP-AOC3M XG-SFP-AOC5M | Cat-5 UTP Multi-mode or single-mode optical fiber, supported by SFP ports while not supported by SFP+ ports. Single-mode optical fiber, supported by SFP ports while not supported by SFP+ ports. Multi-mode optical fiber Single-mode optical fiber Single-mode optical fiber Single-mode optical fiber Multi-mode optical fiber Single-mode optical fiber Single-mode optical fiber Single-mode optical fiber 1m SFP+ active optical cable 3m SFP+ active optical cable 5m SFP+ active optical cable |
| LED | Status, Link/ACT | |
| Hot Swapping | Supported | |
| Power Consumption | <85W | |
| EMC Standards | GB9254-2008 CLASS A | |
| Safety Standards | GB4943-2011 | |
| Operating Temperature | 0°C to 50°C | |
| Storage Temperature | -40°C to 70°C | |
| Operating Humidity | 10% to 90% RH (non-condensing) | |
| MTBF | 335,000 hours | |
| Weight | Net weight: 2.90 kg | |
| Dimensions (W x D x H) | 438.5 mm x 309.0 mm x 40.1 mm | |

2.2.2.2 M7800C-36GT12SFP4XS-EB

Module Appearance

Figure 2-15 Appearance of the M7800C-36GT12SFP4XS-EB



External Port

M7800C-36GT12SFP4XS-EB provides 36 10/100/1000BASE-T RJ45 ports, 12 SFP ports and 4 SFP+ ports. The RJ45 ports support 10/100/1000Mbps auto-negotiation. The SFP ports support hot swapping and the rate of 100/1000Mbps. And the SFP+ ports support 10G SFP+ modules, Gigabit SFP modules and hot swapping. The copper ports at 10/100Mbps do not support half-duplex mode.

- i** The M7800C-36GT12SFP4XS-EB supports 10G SFP+ and Gigabit SFP modules. 10G SFP+ modules cannot be used as Gigabit SFP modules.

LED

| LED | Identification | on | Status | Meaning |
|-----|----------------|----|--------|---------|
|-----|----------------|----|--------|---------|

| | the panel | | |
|---------------|-----------|----------------|--|
| System LED | Status | Off | The module is powered off. |
| | | Solid red | The module is faulty. |
| | | Blinking green | Initialization is in progress. Continuous blinking indicates errors. |
| | | Solid green | The module is operational |
| GT port LED | Link/ACT | Off | The port link is NOT connected. |
| | | Solid green | The port is connected at 1000Mbps. |
| | | Solid yellow | The port is connected at 10Mbps or 100Mbps. |
| | | Blinking | The port is transmitting and receiving data. |
| SFP port LED | Link/ACT | Off | The port link is NOT connected. |
| | | Solid green | The port is connected at 1000Mbps. |
| | | Solid yellow | The port is connected at 100Mbps. |
| | | Blinking | The port is transmitting and receiving data. |
| SFP+ port LED | Link/ACT | Off | The port link is NOT connected. |
| | | Solid green | The port is connected. |
| | | Blinking | The port is transmitting and receiving data. |

Specifications

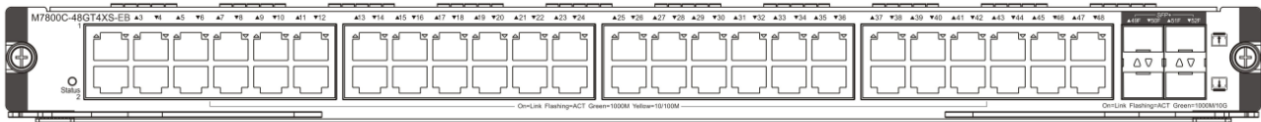
| | | |
|-----------------------|--|---|
| Model | M7800C-36GT12SFP4XS-EB | |
| CPU | Quad-core CPU, each core with the clock speed of 1.0G | |
| BOOTROM | 8 MB | |
| Flash Memory | 512 MB | |
| SDRAM | DDRIII 1 GB | |
| Port Type | 36 10/100/1000BASE-T RJ45 ports, 12 SFP ports and 4 SFP+ ports | |
| Transmission Medium | 10/100/1000BASE-T 100BASE-FX(1310nm) 100BASE-FX (1550nm) 1000BASE-SX (850nm) 1000BASE-LX (1310nm) 1000BASE-LH (1310nm) 1000BASE-ZX (1550nm) 10GBASE-SR (850nm) 10GBASE-LR (1310nm) 10GBASE-ER (1550nm) 10GBASE-ZR (1550nm) XG-SFP-AOC1M XG-SFP-AOC3M XG-SFP-AOC5M | Cat-5 UTP Multi-mode or single-mode optical fiber, supported by SFP ports while not supported by SFP+ ports. Single-mode optical fiber, supported by SFP ports while not supported by SFP+ ports. Multi-mode optical fiber Single-mode optical fiber Single-mode optical fiber Single-mode optical fiber Multi-mode optical fiber Single-mode optical fiber Single-mode optical fiber Single-mode optical fiber 1m SFP+ active optical cable 3m SFP+ active optical cable 5m SFP+ active optical cable |
| LED | Status, Link/ACT | |
| Hot Swapping | Supported | |
| Power Consumption | <80W | |
| EMC Standards | GB9254-2008 CLASS A | |
| Safety Standards | GB4943-2011 | |
| Operating Temperature | 0°C to 50°C | |
| Storage Temperature | -40°C to 70°C | |
| Operating Humidity | 10% to 90% RH (non-condensing) | |
| MTBF | 334,000 hours | |
| Weight | Net weight: 2.90 kg | |

| | |
|---------------------------|-------------------------------|
| Dimensions (W x D x H) | 438.5 mm x 309.0 mm x 40.1 mm |
|---------------------------|-------------------------------|

2.2.2.3 M7800C-48GT4XS-EB

Module Appearance

Figure 2-16 Appearance of the M7800C-48GT4XS-EB



External Port

M7800C-48GT4XS-EB provides 48 10/100/1000BASE-T RJ45 ports and 4 SFP+ ports. The RJ45 ports support 10/100/1000Mbps auto-negotiation. And the SFP+ ports support 10G SFP+ modules, Gigabit SFP modules and hot swapping. The copper ports at 10/100Mbps do not support half-duplex mode.

- i** The **M7800C-48GT4XS-EB** supports 10G SFP+ and Gigabit SFP modules. 10G SFP+ modules cannot be used as Gigabit SFP modules.

LED

| LED | Identification on the panel | Status | Meaning |
|---------------|-----------------------------|----------------|--|
| System LED | Status | Off | The module is powered off. |
| | | Solid red | The module is faulty. |
| | | Blinking green | Initialization is in progress. Continuous blinking indicates errors. |
| | | Solid green | The module is operational |
| GT port LED | Link/ACT | Off | The port link is NOT connected. |
| | | Solid green | The port is connected at 1000Mbps. |
| | | Solid yellow | The port is connected at 10Mbps or 100Mbps. |
| | | Blinking | The port is transmitting and receiving data. |
| SFP+ port LED | Link/ACT | Off | The port link is NOT connected. |
| | | Solid green | The port is connected. |
| | | Blinking | The port is transmitting and receiving data. |

Specifications

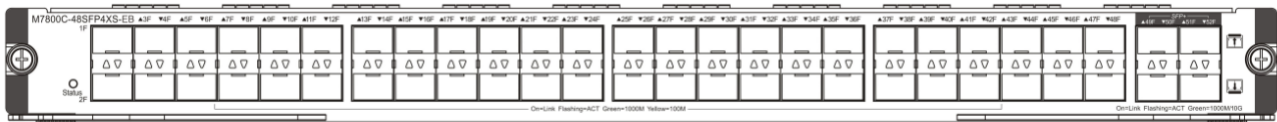
| | | |
|---------------------|---|--|
| Model | M7800C-48GT4XS-EB | |
| CPU | Quad-core CPU, each core with the clock speed of 1.0G | |
| BOOTROM | 8 MB | |
| Flash Memory | 512 MB | |
| SDRAM | DDRIII 1 GB | |
| Port Type | 48 RJ45 ports and 4 SFP+ ports | |
| Transmission Medium | 10/100/1000BASE-T 1000BASE-SX (850nm) 1000BASE-LX (1310nm) 1000BASE-LH (1310nm) 1000BASE-ZX (1550nm) 10GBASE-SR (850nm) 10GBASE-LR (1310nm) 10GBASE-ER (1550nm) 10GBASE-ZR (1550nm) XG-SFP-AOC1M XG-SFP-AOC3M XG-SFP-AOC5M | Cat-5 UTP Multi-mode optical fiber Single-mode optical fiber Single-mode optical fiber Single-mode optical fiber Multi-mode optical fiber Single-mode optical fiber Single-mode optical fiber Single-mode optical fiber Single-mode optical fiber 1m SFP+ active optical cable 3m SFP+ active optical cable 5m SFP+ active optical cable |
| LED | Status, Link/ACT | |
| Hot Swapping | Supported | |

| | |
|------------------------|--------------------------------|
| Power Consumption | <70W |
| EMC Standards | GB9254-2008 CLASS A |
| Safety Standards | GB4943-2011 |
| Operating Temperature | 0°C to 50°C |
| Storage Temperature | -40°C to 70°C |
| Operating Humidity | 10% to 90% RH (non-condensing) |
| MTBF | 329,000 hours |
| Weight | Net weight: 2.80 kg |
| Dimensions (W x D x H) | 438.5 mm x 309.0 mm x 40.1 mm |

2.2.2.4 M7800C-48SFP4XS-EB

Module Appearance

Figure 2-17 Appearance of the M7800C-48SFP4XS-EB



External Port

M7800C-48SFP4XS-EB provides 48 SFP ports and 4 SFP+ ports. The SFP ports support 100/1000Mbps auto-negotiation and hot swapping. And the SFP+ ports support 10G SFP+ modules, Gigabit SFP modules and hot swapping. M7800C-48SFP4XS-EB supports hot swapping.

- i** The **M7800C-48SFP4XS-EB** supports 10G SFP+ and Gigabit SFP modules. 10G SFP+ modules cannot be used as Gigabit SFP modules.

LED

| LED | Identification on the panel | Status | Meaning |
|---------------|-----------------------------|----------------|--|
| System LED | Status | Off | The module is powered off. |
| | | Solid red | The module is faulty. |
| | | Blinking green | Initialization is in progress. Continuous blinking indicates errors. |
| | | Solid green | The module is operational |
| SFP port LED | Link/ACT | Off | The port link is NOT connected. |
| | | Solid green | The port is connected at 1000Mbps. |
| | | Solid yellow | The port is connected at 10Mbps or 100Mbps. |
| | | Blinking | The port is transmitting and receiving data. |
| SFP+ port LED | Link/ACT | Off | The port link is NOT connected. |
| | | Solid green | The port is connected. |
| | | Blinking | The port is transmitting and receiving data. |

Specifications

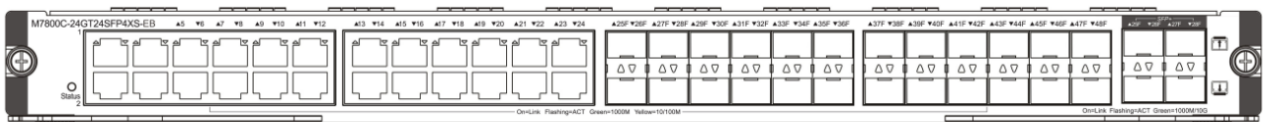
| | |
|--------------|---|
| Model | M7800C-48SFP4XS-EB |
| CPU | Quad-core CPU, each core with the clock speed of 1.0G |
| BOOTROM | 8 MB |
| Flash Memory | 512 MB |
| SDRAM | DDRIII 1 GB |
| Port Type | 48 10/100/1000BASE-T SFP ports and 4 SFP+ ports |

| | | |
|------------------------|--|--|
| Transmission Medium | 10/100/1000BASE-T 100BASE-FX(1310nm) 100BASE-FX (1550nm) 1000BASE-SX (850nm) 1000BASE-LX (1310nm) 1000BASE-LH (1310nm) 1000BASE-ZX (1550nm) 10GBASE-SR (850nm) 10GBASE-LR (1310nm) 10GBASE-ER (1550nm) 10GBASE-ZR (1550nm) XG-SFP-AOC1M XG-SFP-AOC3M XG-SFP-AOC5M | Cat-5 UTP Multi-mode or single-mode optical fiber, supported by SFP ports while not supported by SFP+ ports. Single-mode optical fiber, supported by SFP ports while not supported by SFP+ ports. Multi-mode optical fiber Single-mode optical fiber Single-mode optical fiber Single-mode optical fiber Multi-mode optical fiber Single-mode optical fiber Single-mode optical fiber Single-mode optical fiber Single-mode optical fiber 1m SFP+ active optical cable 3m SFP+ active optical cable 5m SFP+ active optical cable |
| LED | Status, Link/ACT | |
| Hot Swapping | Supported | |
| Power Consumption | <101W | |
| EMC Standards | GB9254-2008 CLASS A | |
| Safety Standards | GB4943-2011 | |
| Operating Temperature | 0°C to 50°C | |
| Storage Temperature | -40°C to 70°C | |
| Operating Humidity | 10% to 90% RH (non-condensing) | |
| MTBF | 337,000 hours | |
| Weight | Net weight: 2.80 kg | |
| Dimensions (W x D x H) | 438.5 mm x 309.0 mm x 40.1 mm | |

2.2.2.5 M7800C-24GT24SFP4XS-EB

Module Appearance

Figure 2-18 Appearance of the M7800C-24GT24SFP4XS-EB



External Port

M7800C-24GT24SFP4XS-EB provides 24 10/100/1000BASE-T RJ45 ports, 24 SFP ports and 4 SFP+ ports. The RJ45 ports support auto-negotiation at 10/100/1000 Mbps, The SFP ports support the rate of 100/1000M and hot swapping. The SFP+ ports support 10G SFP+ modules, Gigabit SFP modules and hot swapping. Copper ports do not support half-duplex at 10/100Mbps.

i The **M7800C-24GT24SFP4XS-EB** supports 10G SFP+ and Gigabit SFP modules. 10G SFP+ modules cannot be used as Gigabit SFP modules.

LED

| LED | Identification on the panel | Status | Meaning |
|------------|-----------------------------|----------------|--|
| System LED | Status | Off | The module is powered off. |
| | | Solid red | The module is faulty. |
| | | Blinking green | Initialization is in progress. Continuous blinking indicates errors. |

| | | | |
|---------------|----------|--------------|--|
| | | Solid green | The module is operational |
| GT port LED | Link/ACT | Off | The port link is NOT connected. |
| | | Solid green | The port is connected at 1000Mbps. |
| | | Solid yellow | The port is connected at 10/100Mbps. |
| | | Blinking | The port is transmitting and receiving data. |
| SFP port LED | Link/ACT | Off | The port link is NOT connected. |
| | | Solid green | The port is connected at 1000Mbps. |
| | | Solid yellow | The port is connected at 10Mbps or 100Mbps. |
| | | Blinking | The port is transmitting and receiving data. |
| SFP+ port LED | Link/ACT | Off | The port link is NOT connected. |
| | | Solid green | The port is connected. |
| | | Blinking | The port is transmitting and receiving data. |

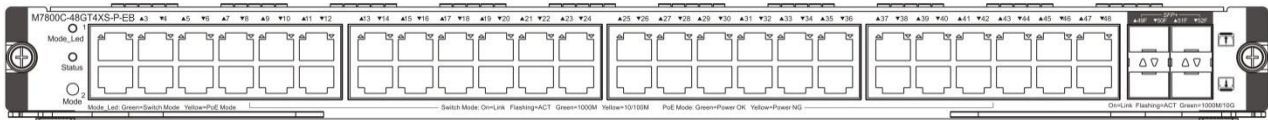
Specifications

| | | |
|------------------------|--|---|
| Model | M7800C-24GT24SFP4XS-EB | |
| CPU | Quad-core CPU, each core with the clock speed of 1.0G | |
| BOOTROM | 8 MB | |
| Flash Memory | 512 MB | |
| SDRAM | DDRIII 1 GB | |
| Port Type | 24 10/100/1000BASE-T RJ45 ports, 24 SFP ports and 4 SFP+ ports | |
| Transmission Medium | 10/100/1000BASE-T 100BASE-FX(1310nm) 100BASE-FX (1550nm) 1000BASE-SX (850nm) 1000BASE-LX (1310nm) 1000BASE-LH (1310nm) 1000BASE-ZX (1550nm) 10GBASE-SR (850nm) 10GBASE-LR (1310nm) 10GBASE-ER (1550nm) 10GBASE-ZR (1550nm) XG-SFP-AOC1M XG-SFP-AOC3M XG-SFP-AOC5M | Cat-5 UTP Multi-mode or single-mode optical fiber, supported by SFP ports while not supported by SFP+ ports. Single-mode optical fiber, supported by SFP ports while not supported by SFP+ ports. Multi-mode optical fiber Single-mode optical fiber Single-mode optical fiber Single-mode optical fiber Multi-mode optical fiber Single-mode optical fiber Single-mode optical fiber Single-mode optical fiber 1m SFP+ active optical cable 3m SFP+ active optical cable 5m SFP+ active optical cable |
| LED | Status, Link/ACT | |
| Hot Swapping | Supported | |
| Power Consumption | <88W | |
| EMC Standards | GB9254-2008 CLASS A | |
| Safety Standards | GB4943-2011 | |
| Operating Temperature | 0°C to 50°C | |
| Storage Temperature | -40°C to 70°C | |
| Operating Humidity | 10% to 90% RH (non-condensing) | |
| MTBF | 334,000 hours | |
| Weight | Net weight: 2.85 kg | |
| Dimensions (W x D x H) | 438.5 mm x 309.0 mm x 40.1 mm | |

2.2.2.6 M7800C-48GT4XS-P-EB

Module Appearance

Figure 2-19 Appearance of the M7800C-48GT4XS-P-EB Module



External Port

M7800C-48GT4XS-P-EB provides 48 10/100/1000BASE-T RJ45 ports and 4 SFP+ ports. The RJ45 ports support auto-negotiation at 10/100/1000 Mbps, and the SFP+ ports support 10G SFP+ modules, Gigabit SFP modules and hot swapping. Copper ports do not support half-duplex at 10/100Mbps.

PoE Power Supply

The M7800C-48GT4XS-P-EB supports PoE (15.4W, IEEE802.3af) and PoE+ (30W, IEEE802.3at) PoE. It adopts the Alternative A mode for transmitting power over Ethernet cabling, that is, power is transmitted through cable pairs 1 & 2 and 3 & 6.

LED

| LED | Identification on the panel | Status | Meaning |
|-----------------------------------|-----------------------------|----------------|--|
| System LED | Status | Off | The module is powered off. |
| | | Solid red | The module is faulty. |
| | | Solid yellow | High temperature alarm. The system keeps operating but the performance is affected |
| | | Blinking green | Initialization is in progress. Continuous blinking indicates errors. |
| | | Solid green | The module is operational |
| Mode LED | Mode_LED | Solid green | Switching mode |
| | | Solid yellow | PoE mode |
| RJ45 port LED (in switching mode) | Link/ACT | Off | The port link is NOT connected. |
| | | Solid green | The port is connected at 1000Mbps. |
| | | Solid yellow | The port is connected at 10/100Mbps. |
| | | Blinking | The port is transmitting and receiving data. |
| RJ45 port LED(in PoE mode) | Link/ACT | Off | The port does NOT provide PoE power supply. |
| | | Solid green | The port provides PoE power supply |
| | | Solid yellow | The port is overloaded and short-circuited, Power overload causes failure to provide PoE power supply. |
| SFP+ port LED | Link/ACT | Off | The port link is NOT connected. |
| | | Solid green | The port is connected. |
| | | Blinking | The port is transmitting and receiving data. |

Button

The Mode button has the following functions:

- Press the “Mode” button to change the mode between switching and PoE. The green LED indicates switching mode and the yellow LED indicates PoE mode.
- In PoE mode, hold down the “Mode” button for three seconds to disable PoE power supply and switch to switching mode. The LED turns green to indicate switching mode. After power on, the system is powered by PoE power supply by default.

Specifications

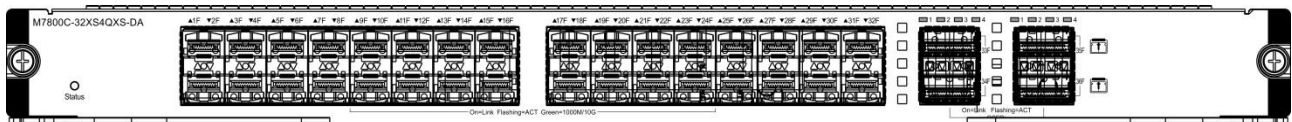
| | |
|---------|---|
| Model | M7800C-48GT4XS-P-EB |
| CPU | Quad-core CPU, each core with the clock speed of 1.0G |
| BOOTROM | 8 MB |

| | | | | | | | | | | | | | | | | | | | | | | | | | |
|------------------------|---|-------------------|-----------|---------------------|--------------------------|----------------------|---------------------------|----------------------|---------------------------|----------------------|---------------------------|--------------------|--------------------------|---------------------|---------------------------|---------------------|---------------------------|---------------------|---------------------------|--------------|------------------------------|--------------|------------------------------|--------------|------------------------------|
| Flash Memory | 512 MB | | | | | | | | | | | | | | | | | | | | | | | | |
| SDRAM | DDRIII 1 GB | | | | | | | | | | | | | | | | | | | | | | | | |
| Port Type | 48 copper ports (PoE-capable and PoE+-capable) , 4 SFP+ ports | | | | | | | | | | | | | | | | | | | | | | | | |
| Transmission Medium | <table border="0"> <tr> <td>10/100/1000BASE-T</td> <td>Cat-5 UTP</td> </tr> <tr> <td>1000BASE-SX (850nm)</td> <td>Multi-mode optical fiber</td> </tr> <tr> <td>1000BASE-LX (1310nm)</td> <td>Single-mode optical fiber</td> </tr> <tr> <td>1000BASE-LH (1310nm)</td> <td>Single-mode optical fiber</td> </tr> <tr> <td>1000BASE-ZX (1550nm)</td> <td>Single-mode optical fiber</td> </tr> <tr> <td>10GBASE-SR (850nm)</td> <td>Multi-mode optical fiber</td> </tr> <tr> <td>10GBASE-LR (1310nm)</td> <td>Single-mode optical fiber</td> </tr> <tr> <td>10GBASE-ER (1550nm)</td> <td>Single-mode optical fiber</td> </tr> <tr> <td>10GBASE-ZR (1550nm)</td> <td>Single-mode optical fiber</td> </tr> <tr> <td>XG-SFP-AOC1M</td> <td>1m SFP+ active optical cable</td> </tr> <tr> <td>XG-SFP-AOC3M</td> <td>3m SFP+ active optical cable</td> </tr> <tr> <td>XG-SFP-AOC5M</td> <td>5m SFP+ active optical cable</td> </tr> </table> | 10/100/1000BASE-T | Cat-5 UTP | 1000BASE-SX (850nm) | Multi-mode optical fiber | 1000BASE-LX (1310nm) | Single-mode optical fiber | 1000BASE-LH (1310nm) | Single-mode optical fiber | 1000BASE-ZX (1550nm) | Single-mode optical fiber | 10GBASE-SR (850nm) | Multi-mode optical fiber | 10GBASE-LR (1310nm) | Single-mode optical fiber | 10GBASE-ER (1550nm) | Single-mode optical fiber | 10GBASE-ZR (1550nm) | Single-mode optical fiber | XG-SFP-AOC1M | 1m SFP+ active optical cable | XG-SFP-AOC3M | 3m SFP+ active optical cable | XG-SFP-AOC5M | 5m SFP+ active optical cable |
| 10/100/1000BASE-T | Cat-5 UTP | | | | | | | | | | | | | | | | | | | | | | | | |
| 1000BASE-SX (850nm) | Multi-mode optical fiber | | | | | | | | | | | | | | | | | | | | | | | | |
| 1000BASE-LX (1310nm) | Single-mode optical fiber | | | | | | | | | | | | | | | | | | | | | | | | |
| 1000BASE-LH (1310nm) | Single-mode optical fiber | | | | | | | | | | | | | | | | | | | | | | | | |
| 1000BASE-ZX (1550nm) | Single-mode optical fiber | | | | | | | | | | | | | | | | | | | | | | | | |
| 10GBASE-SR (850nm) | Multi-mode optical fiber | | | | | | | | | | | | | | | | | | | | | | | | |
| 10GBASE-LR (1310nm) | Single-mode optical fiber | | | | | | | | | | | | | | | | | | | | | | | | |
| 10GBASE-ER (1550nm) | Single-mode optical fiber | | | | | | | | | | | | | | | | | | | | | | | | |
| 10GBASE-ZR (1550nm) | Single-mode optical fiber | | | | | | | | | | | | | | | | | | | | | | | | |
| XG-SFP-AOC1M | 1m SFP+ active optical cable | | | | | | | | | | | | | | | | | | | | | | | | |
| XG-SFP-AOC3M | 3m SFP+ active optical cable | | | | | | | | | | | | | | | | | | | | | | | | |
| XG-SFP-AOC5M | 5m SFP+ active optical cable | | | | | | | | | | | | | | | | | | | | | | | | |
| LED | Status, Link/ACT, Mode_LED | | | | | | | | | | | | | | | | | | | | | | | | |
| Button | Mode button and PoE button | | | | | | | | | | | | | | | | | | | | | | | | |
| Hot Swapping | Supported | | | | | | | | | | | | | | | | | | | | | | | | |
| Power Consumption | No PoE or PoE+ supply: <70W; PoE supply: <70W+15.4W x N (N is the number of PoE ports in use, no greater than 48); PoE+ supply: <70W+30W x N (N is the number of PoE+ ports in use, no greater than 48) | | | | | | | | | | | | | | | | | | | | | | | | |
| EMC Standards | GB9254-2008 CLASS A | | | | | | | | | | | | | | | | | | | | | | | | |
| Safety Standards | GB4943-2011 | | | | | | | | | | | | | | | | | | | | | | | | |
| Operating Temperature | 0°C to 50°C | | | | | | | | | | | | | | | | | | | | | | | | |
| Storage Temperature | -40°C to 70°C | | | | | | | | | | | | | | | | | | | | | | | | |
| Operating Humidity | 0% to 90% RH (non-condensing) | | | | | | | | | | | | | | | | | | | | | | | | |
| MTBF | 321,000 hours | | | | | | | | | | | | | | | | | | | | | | | | |
| Weight | Net weight: 3.20 kg | | | | | | | | | | | | | | | | | | | | | | | | |
| Dimensions (W x D x H) | 438.5 mm x 309.0 mm x 40.1 mm | | | | | | | | | | | | | | | | | | | | | | | | |

2.2.2.7 M7800C-32XS4QXS-DA

Module Appearance

Figure 2-20 Appearance of the M7800C-32XS4QXS-DA



External Port

M7800C-32XS4QXS-DA provides 32 SFP+ ports and 4 QSFP+ ports. The SFP+ ports support 10G SFP+ modules and Gigabit SFP modules. The QSFP+ ports support 40G QSFP+ modules. Hot swapping of M7800C-32XS4QXS-DA, SFP, SFP+ and QSFP+ modules is supported.

i The **M7800C-32XS4QXS-DA** supports 10G SFP+ and Gigabit SFP modules. 10G SFP+ modules cannot be used as Gigabit SFP modules.

LED

| LED | Identification on the panel | Status | Meaning |
|----------------|-----------------------------|----------------|--|
| System LED | Status | Off | The module is powered off. |
| | | Solid red | The module is faulty. |
| | | Blinking green | Initialization is in progress. Continuous blinking indicates errors. |
| | | Solid green | The module is operational |
| SFP+ port LED | Link/ACT | Off | The port link is NOT connected. |
| | | Solid green | The port is connected at 1000Mbps. |
| | | Solid yellow | The port is connected at 10Mbps or 100Mbps. |
| | | Blinking | The port is transmitting and receiving data. |
| QSFP+ port LED | Link/ACT | Off | The port link is NOT connected. |
| | | Solid green | The port is connected. |
| | | Blinking | The port is transmitting and receiving data. |

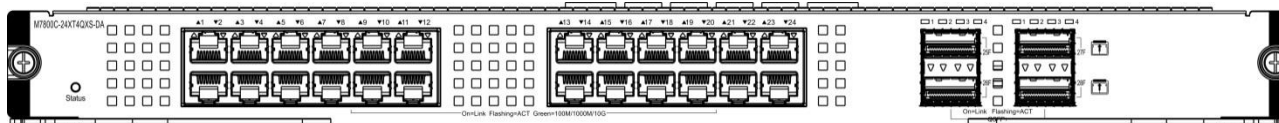
Specifications

| | | |
|------------------------|--|--|
| Model | M7800C-32XS4QXS-DA | |
| CPU | Quad-core CPU, each core with the clock speed of 1.5G | |
| BOOTROM | 16 MB | |
| Flash Memory | 8 MB | |
| SDRAM | DDR4 1 GB | |
| Port Type | 32 10/100/1000BASE-T SFP+ ports, supporting 10G SFP+ modules and Gigabit SFP modules. 4 QSFP+ ports | |
| Transmission Medium | 1000BASE-SX (850nm) 1000BASE-LX (1310nm) 1000BASE-LH (1310nm) 1000BASE-ZX (1550nm) 10GBASE-SR (850nm) 10GBASE-LR (1310nm) 10GBASE-ER (1550nm) 10GBASE-ZR (1550nm) XG-SFP-AOC1M XG-SFP-AOC3M XG-SFP-AOC5M 40GBASE-SR4 40GBASE-LR4 40G-QSFP-STACK3M | Multi-mode optical fiber Single-mode optical fiber Single-mode optical fiber Single-mode optical fiber Multi-mode optical fiber Single-mode optical fiber Single-mode optical fiber Single-mode optical fiber 1m SFP+ active optical cable 3m SFP+ active optical cable 5m SFP+ active optical cable Multi-mode optical fiber Single-mode optical fiber 3m QSFP+ copper cable |
| LED | Status, Link/ACT | |
| Hot Swapping | Supported | |
| Power Consumption | <210W | |
| EMC Standards | GB9254-2008 CLASS A | |
| Safety Standards | GB4943-2011 | |
| Operating Temperature | 0°C to 50°C | |
| Storage Temperature | -40°C to 70°C | |
| Operating Humidity | 10% to 90% RH (non-condensing) | |
| MTBF | 398,000 hours | |
| Weight | Net weight: 3.4 kg | |
| Dimensions (W x D x H) | 438.5 mm x 309.0 mm x 40.1 mm | |

2.2.2.8 M7800C-24XT4QXS-DA

Module Appearance

Figure 2-21 Appearance of the M7800C-24XT4QXS-DA



External Port

M7800C-24XT4QXS -DA provides 24 10G RJ45 ports and 4 QSFP+ ports. The RJ45 ports support 100M/1G/10G auto-negotiation and full-duplex. The QSFP+ ports support 40G QSFP+ modules.

LED

| LED | Identification on the panel | Status | Meaning |
|----------------|-----------------------------|----------------|--|
| System LED | Status | Off | The module is powered off. |
| | | Solid red | The module is faulty. |
| | | Blinking green | Initialization is in progress. Continuous blinking indicates errors. |
| | | Solid green | The module is operational |
| RJ45 port LED | Link/ACT | Off | The port is NOT connected. |
| | | Solid green | The port is connected. |
| | | Blinking | The port is transmitting and receiving data. |
| QSFP+ port LED | Link/ACT | Off | The port is NOT connected. |
| | | Solid green | The port is connected. |
| | | Blinking | The port is transmitting and receiving data. |

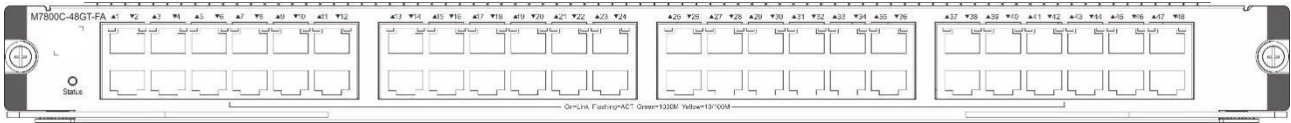
Specifications

| | |
|------------------------|--|
| Model | M7800C-24XT4QXS-DA |
| CPU | Quad-core CPU, each core with the clock speed of 1.5G |
| BOOTROM | 16 MB |
| Flash Memory | 8 MB |
| SDRAM | DDR4 1 GB |
| Port Type | 32 10/100/1000BASE-T SFP+ ports, supporting 10G SFP+ modules and Gigabit SFP modules. 4 QSFP+ ports |
| Transmission Medium | 100/1000BASE-T CAT-5 UTP Cable 10G BAST-T CAT-6 |
| LED | Status, Link/ACT |
| Hot Swapping | Supported |
| Power Consumption | <245W |
| EMC Standards | GB9254-2008 CLASS A |
| Safety Standards | GB4943-2011 |
| Operating Temperature | 0°C to 50°C |
| Storage Temperature | -40°C to 70°C |
| Operating Humidity | 10% to 90% RH (non-condensing) |
| MTBF | 346,000 hours |
| Weight | Net weight: 3.7 kg |
| Dimensions (W x D x H) | 438.5 mm x 309.0 mm x 40.1 mm |

2.2.2.9 M7800C-48GT-FA

Module Appearance

Figure 2-22 Appearance of the M7800C-48GT-FA



External Port

M7800C-48GT-FA provides 48 10/100/1000BASE-T RJ45 ports. The RJ45 ports support 10/100/1000Mbps auto-negotiation.

LED

| LED | Identification on the panel | Status | Meaning |
|---------------|-----------------------------|----------------|--|
| System LED | Status | Off | The module is powered off. |
| | | Solid red | The module is faulty. |
| | | Blinking green | Initialization is in progress. Continuous blinking indicates errors. |
| | | Solid green | The module is operational. |
| RJ45 port LED | Link/ACT | Off | The port link is NOT connected. |
| | | Solid green | The port is connected at 1000Mbps. |
| | | Solid yellow | The port is connected at 10Mbps or 100Mbps. |
| | | Blinking | The port is transmitting and receiving data. |

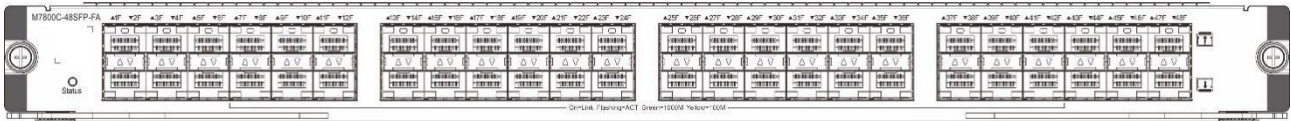
Specifications

| | |
|------------------------|---|
| Model | M7800C-48GT-FA |
| CPU | Quad-core CPU, each core with the clock speed of 1.5G |
| BOOTROM | 16 MB |
| Flash Memory | 8 GB |
| SDRAM | DDR4 2GB |
| Port Type | 48 10/100/1000BASE-T RJ45 ports |
| Transmission Medium | 10/100/1000BASE-T Cat-5 UTP |
| LED | Status, Link/ACT |
| Hot Swapping | Supported |
| Power Consumption | <75W |
| EMC Standards | GB9254-2008 CLASS A |
| Safety Standards | GB4943-2011 |
| Operating Temperature | 0°C to 50°C |
| Storage Temperature | -40°C to 70°C |
| Operating Humidity | 5% to 95% RH (non-condensing) |
| MTBF | 334,000 hours |
| Weight | Net weight: 3.1 kg |
| Dimensions (W x D x H) | 412 mm x 390 mm x 40.16 mm |

2.2.2.10 M7800C-48SFP-FA

Module Appearance

Figure 2-23 Appearance of the M7800C-48SFP-FA



External Port

M7800C-48SFP-FA provides 48 SFP ports. The SFP ports support 100/1000Mbps auto-negotiation.

LED

| LED | Identification on the panel | Status | Meaning |
|--------------|-----------------------------|----------------|--|
| System LED | Status | Off | The module is powered off. |
| | | Solid red | The module is faulty. |
| | | Blinking green | Initialization is in progress. Continuous blinking indicates errors. |
| | | Solid green | The module is operational. |
| SFP port LED | Link/ACT | Off | The port link is NOT connected. |
| | | Solid green | The port is connected at 1000Mbps. |
| | | Solid yellow | The port is connected at 100Mbps. |
| | | Blinking | The port is transmitting and receiving data. |

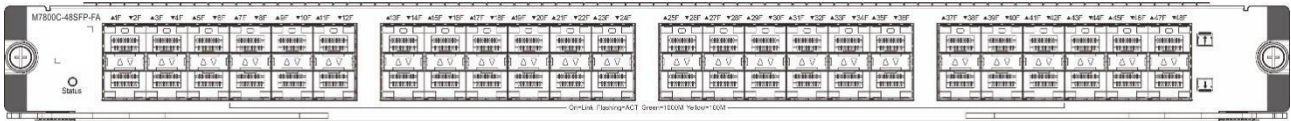
Specifications

| | |
|------------------------|---|
| Model | M7800C-48SFP-FA |
| CPU | Quad-core CPU, each core with the clock speed of 1.5G |
| BOOTROM | 16 MB |
| Flash Memory | 8 GB |
| SDRAM | DDR4 2GB |
| Port Type | 48 SFP ports |
| Transmission Medium | 1000BASE-SX (850nm) Multi-mode optical fiber 1000BASE-LX (1310nm) Single-mode optical fiber 1000BASE-LH (1310nm) Single-mode optical fiber 1000BASE-ZX (1550nm) Single-mode optical fiber 100BASE-LX (1310nm) Single-mode optical fiber 100BASE-LH (1310nm,1550nm) Single-mode optical fiber |
| LED | Status, Link/ACT |
| Hot Swapping | Supported |
| Power Consumption | <95W |
| EMC Standards | GB9254-2008 CLASS A |
| Safety Standards | GB4943-2011 |
| Operating Temperature | 0°C to 50°C |
| Storage Temperature | -40°C to 70°C |
| Operating Humidity | 5% to 95% RH (non-condensing) |
| MTBF | 329,000 hours |
| Weight | Net weight: 3.2 kg |
| Dimensions (W x D x H) | 412 mm x 390 mm x 40.16 mm |

2.2.2.11 M7800C-48XS-FB

Module Appearance

Figure 2-24 Appearance of the M7800C-48XS-FB



External Port

M7800C-48XS-FB provides 48 SFP+ ports. The SFP+ ports support 10G SFP+ modules, Gigabit SFP modules and hot swapping.

i The 10G SFP+ module cannot be used as a Gigabit SFP module.

LED

| LED | Identification on the panel | Status | Meaning |
|---------------|-----------------------------|----------------|--|
| System LED | Status | Off | The module is powered off. |
| | | Solid red | The module is faulty. |
| | | Blinking green | Initialization is in progress. Continuous blinking indicates errors. |
| | | Solid green | The module is operational. |
| SFP port LED | Link/ACT | Off | The port link is NOT connected. |
| | | Solid green | The port is connected at 1000Mbps. |
| | | Solid yellow | The port is connected at 100Mbps. |
| | | Blinking | The port is transmitting and receiving data. |
| SFP+ port LED | Link/ACT | Off | The port link is NOT connected. |
| | | Solid green | The port is connected. |
| | | Blinking | The port is transmitting and receiving data. |

Specifications

| | | |
|-----------------------|--|---|
| Model | M7800C-48XS-FB | |
| CPU | Quad-core CPU, each core with the clock speed of 1.5G | |
| BOOTROM | 16 MB | |
| Flash Memory | 8 GB | |
| SDRAM | DDR4 2GB | |
| Port Type | 48 SFP+ ports | |
| Transmission Medium | 1000BASE-SX (850nm) 1000BASE-LX (1310nm) 1000BASE-LH (1310nm) 1000BASE-ZX (1550nm) 10GBASE-SR (850nm) 10GBASE-LR (1310nm) 10GBASE-ER (1550nm) 10GBASE-ZR (1550nm) XG-SFP-AOC1M XG-SFP-AOC3M XG-SFP-AOC5M | Multi-mode optical fiber Single-mode optical fiber Single-mode optical fiber Single-mode optical fiber Multi-mode optical fiber Single-mode optical fiber Single-mode optical fiber Single-mode optical fiber Single-mode optical fiber 1m SFP+ active optical cable 3m SFP+ active optical cable 5m SFP+ active optical cable |
| LED | Status, Link/ACT | |
| Hot Swapping | Supported | |
| Power Consumption | <160W | |
| EMC Standards | GB9254-2008 CLASS A | |
| Safety Standards | GB4943-2011 | |
| Operating Temperature | 0°C to 50°C | |
| Storage Temperature | -40°C to 70°C | |

| | |
|------------------------|-------------------------------|
| Operating Humidity | 5% to 95% RH (non-condensing) |
| MTBF | 305,000 hours |
| Weight | Net weight: 3.85 kg |
| Dimensions (W x D x H) | 412 mm x 390 mm x 40.16 mm |

2.2.2.12 M7800C-4CQ-FB

Module Appearance

Figure 2-25 Appearance of the M7800C-4CQ-FB



External Port

M7800C-48XS-FB provides four QSFP28 ports. The QSFP28 ports support 100G QSFP28 modules, 40G SFP28 modules and hot swapping. The QSFP28 ports do not support 4*25G and 4*10G.

LED

| LED | Identification on the panel | Status | Meaning |
|-----------------|-----------------------------|----------------|--|
| System LED | Status | Off | The module is powered off. |
| | | Solid red | The module is faulty. |
| | | Blinking green | Initialization is in progress. Continuous blinking indicates errors. |
| | | Solid green | The module is operational. |
| QSFP28 port LED | Link/ACT | Off | The port link is NOT connected. |
| | | Solid green | The port is connected. |
| | | Blinking | The port is transmitting and receiving data. |

Specifications

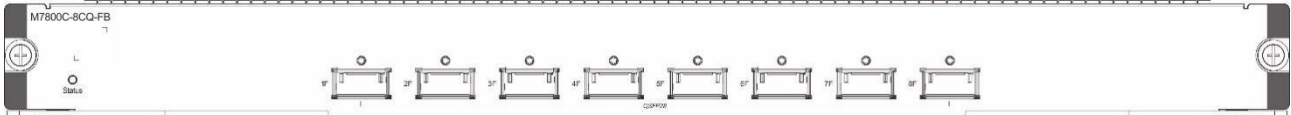
| | | |
|-----------------------|--|---|
| Model | M7800C-4CQ-FB | |
| CPU | Quad-core CPU, each core with the clock speed of 1.5G | |
| BOOTROM | 16 MB | |
| Flash Memory | 8 GB | |
| SDRAM | DDR4 2GB | |
| Port Type | 4 QSFP ports | |
| Transmission Medium | 100G-QSFP-SR 100G-QSFP-LR4 100G-QSFP-eSR 100G-AOC-10M 40GBASE-SR4 40GBASE-LR4 40G-QSFP-STACK3M | Multi-mode optical fiber Single-mode optical fiber Multi-mode optical fiber 10m Multi-mode cable Multi-mode optical fiber Single-mode optical fiber 3m QSFP+ copper cable |
| LED | Status, Link/ACT | |
| Hot Swapping | Supported | |
| Power Consumption | <120W | |
| EMC Standards | GB9254-2008 CLASS A | |
| Safety Standards | GB4943-2011 | |
| Operating Temperature | 0°C to 50°C | |
| Storage | -40°C to 70°C | |

| | |
|------------------------|-------------------------------|
| Temperature | |
| Operating Humidity | 5% to 95% RH (non-condensing) |
| MTBF | 335,000 hours |
| Weight | Net weight: 3.16 kg |
| Dimensions (W x D x H) | 412 mm x 390 mm x 40.16 mm |

2.2.2.13 M7800C-8CQ-FB

Module Appearance

Figure 2-26 Appearance of the M7800C-8CQ-FB



External Port

M7800C-48XS-FB provides eight QSFP28 ports. The QSFP28 ports support 100G QSFP28 modules, 40G SFP28 modules and hot swapping. The QSFP28 ports do not support 4*25G and 4*10G.

LED

| LED | Identification on the panel | Status | Meaning |
|-----------------|-----------------------------|----------------|--|
| System LED | Status | Off | The module is powered off. |
| | | Solid red | The module is faulty. |
| | | Blinking green | Initialization is in progress. Continuous blinking indicates errors. |
| | | Solid green | The module is operational. |
| QSFP28 port LED | Link/ACT | Off | The port link is NOT connected. |
| | | Solid green | The port is connected. |
| | | Blinking | The port is transmitting and receiving data. |

Specifications

| | | |
|-----------------------|--|---|
| Model | M7800C-8CQ-FB | |
| CPU | Quad-core CPU, each core with the clock speed of 1.5G | |
| BOOTROM | 16 MB | |
| Flash Memory | 8 GB | |
| SDRAM | DDR4 2GB | |
| Port Type | 8 QSFP ports | |
| Transmission Medium | 100G-QSFP-SR 100G-QSFP-LR4 100G-QSFP-eSR 100G-AOC-10M 40GBASE-SR4 40GBASE-LR4 40G-QSFP-STACK3M | Multi-mode optical fiber Single-mode optical fiber Multi-mode optical fiber 10m Multi-mode cable Multi-mode optical fiber Single-mode optical fiber 3m QSFP+ copper cable |
| LED | Status, Link/ACT | |
| Hot Swapping | Supported | |
| Power Consumption | <130W | |
| EMC Standards | GB9254-2008 CLASS A | |
| Safety Standards | GB4943-2011 | |
| Operating Temperature | 0°C to 50°C | |

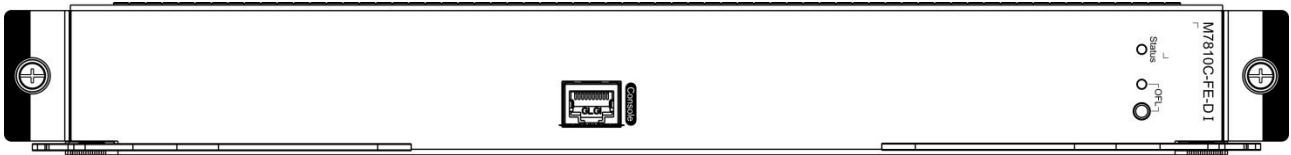
| | |
|------------------------|-------------------------------|
| Storage Temperature | -40°C to 70°C |
| Operating Humidity | 5% to 95% RH (non-condensing) |
| MTBF | 335,000 hours |
| Weight | Net weight: 3.2 kg |
| Dimensions (W x D x H) | 412 mm x 390 mm x 40.16 mm |

2.2.3 RGOS12.X Switch Fabric Modules

2.2.3.1 M7810C-FE-D I

Module Appearance

Figure 2-27 Appearance of the M7810C-FE-D I



External Port

M7810C-FE-D I provides one port.

- Console port: As a serial communications port, it uses the RS-232 interface level and standard RJ-45 connector.

Button

- Press the button for about five seconds and release the button. When the LED turns green, you can remove the FE card. Otherwise, packet loss may occur.

LED

| LED | Identification on the panel | Status | Meaning |
|-------------|-----------------------------|----------------|--|
| System LED | Status | Off | The module is powered off. |
| | | Solid red | The module is faulty. |
| | | Blinking green | Initialization is in progress. Continuous blinking indicates errors. |
| | | Solid green | The module is operational |
| Offline LED | OFL | Off | Switching service is in progress. The module cannot be removed. |
| | | Solid green | Release the Offline button and wait for 2s before removing the module. |

Specifications

| | |
|-------------------|---|
| Model | M7810C-FE-D I |
| CPU | Quad-core CPU, each core with the clock speed of 1.5G |
| BOOTROM | 16 MB |
| Flash Memory | 8 GB |
| SDRAM | DDR4 1 GB |
| Port Type | 1 console port |
| LED | Status |
| Hot Swapping | Supported |
| Power Consumption | <50W |
| EMC Standards | GB9254-2008 CLASS A |
| Safety Standards | GB4943-2011 |

| | |
|------------------------|--------------------------------|
| Operating Temperature | 0°C to 50°C |
| Storage Temperature | -40°C to 70°C |
| Operating Humidity | 10% to 90% RH (non-condensing) |
| MTBF | 460,000 hours |
| Weight | Net weight: 1.9 kg |
| Dimensions (W x D x H) | 371.0 mm x 248.0 mm x 43.0 mm |

2.2.3.2 M7810C-FE-F I

Module Appearance

Figure 2-28 Appearance of the M7810C-FE-F I Module



Button

OFL button: Press the button for about five seconds and release the button. When the LED turns green, you can remove the FE card. Otherwise, packet loss may occur.

LED

| LED | Identification on the panel | Status | Meaning |
|-------------|-----------------------------|----------------|--|
| System LED | Status | Off | The module is powered off. |
| | | Solid red | The module is faulty. |
| | | Blinking green | Initialization is in progress. Continuous blinking indicates errors. |
| | | Solid green | The module is operational |
| Offline LED | OFL | Off | Switching service is in progress. The module cannot be removed. |
| | | Green | Release the Offline button and wait for 2s before removing the module. |

Specifications

| | |
|-----------------------|---|
| Model | M7810C-FE-F I |
| CPU | Quad-core CPU, each core with the clock speed of 1.5G |
| BOOTROM | 16 MB |
| Flash Memory | 8 GB |
| SDRAM | DDR4 2GB |
| LED | Status |
| Power Consumption | <105W |
| Hot Swapping | Supported |
| EMC Standards | GB9254-2008 CLASS A |
| Safety Standards | GB4943-2011 |
| Operating Temperature | 0°C to 50°C |
| Storage Temperature | -40°C to 70°C |
| Operating Humidity | 10% to 90% RH (non-condensing) |
| MTBF | 460,000 hours |

| | |
|---------------------------|---------------------------|
| Weight | Net weight: 2.25 kg |
| Dimensions (W x D x H) | 371 mm x 236.3 mm x 43 mm |

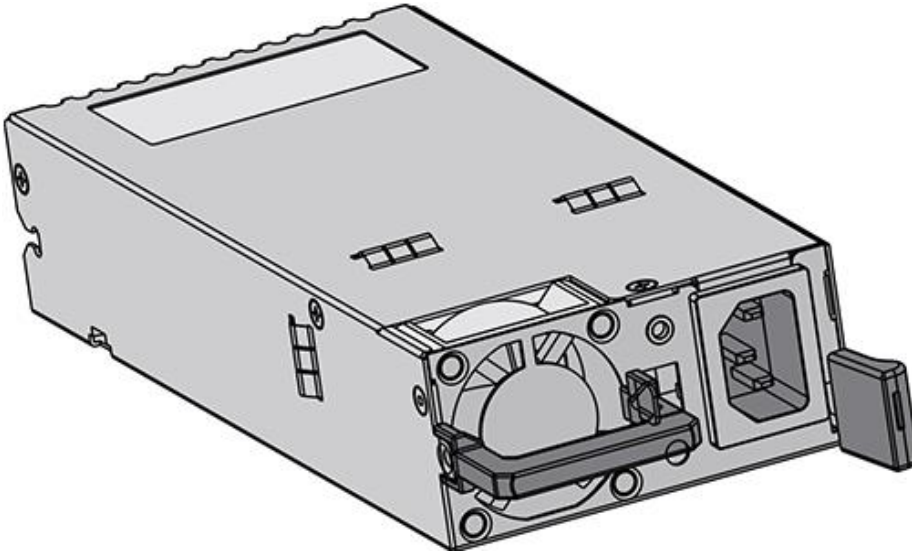
2.3 Power Supply Modules

2.3.1 AC Power Supply Modules

2.3.1.1 RG-PA300I-F

Module Appearance

Figure 2-29 Appearance of the RG-PA300I-F Module



External Port


The RG-PA300I-F module provides 12 VAC input to the overall system of the RG-S7805C switch. The front panel of the power supply module provides a 3-pin plug, which can be connected to a standard 10A power cord.


LED

| LED | Indicator | Status | Meaning |
|------------|-----------|-------------|---|
| Status LED | N/A | Off | A power fault occurs or there is no power input |
| | | Solid green | The module is operational |

Specifications

| | |
|------------------------|---|
| Module Model | RG-PA300I-F |
| Rated Voltage Range | 100 to 120 VAC, 200 to 240 VAC; 50/60 Hz |
| Max Voltage Range | 90 to 264 VAC; 47 to 63 Hz |
| Max Power Output | 90 to 180 VAC Power: 300 W 180 to 264 VAC Power: 300 W |
| HVDC | 192 to 290 VDC Power: 300W |
| Input Leakage Current | ≤1.55mA |
| Weight | Net weight: 0.85 kg |
| Power Cord Requirement | 10A power cord |

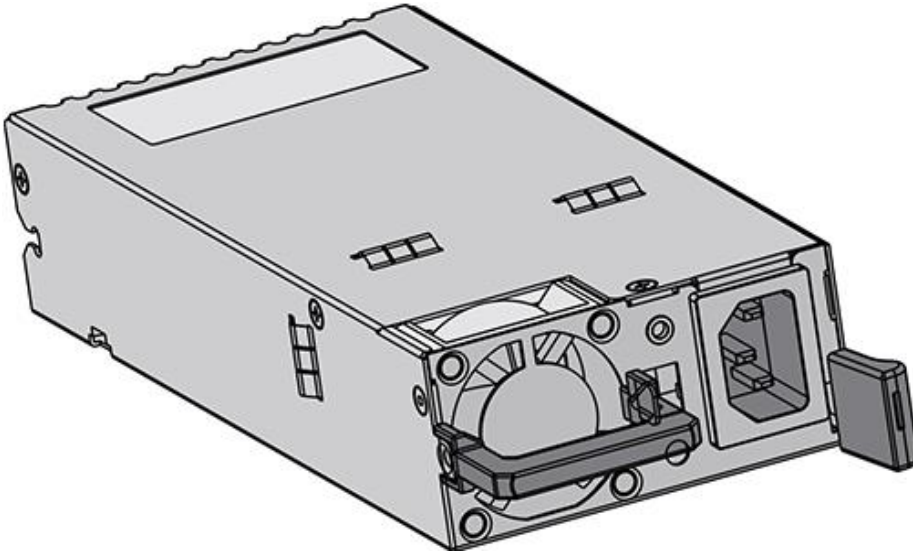
 When you plug the power cable into the power supply, pull down the retention clip over the plug on the power cable.

 Operation Altitude: 5000m max. Storage Altitude: 5000 max.

2.3.1.2 RG-PA460I-F

Module Appearance

Figure 2-30 Appearance of the RG-PA460I-F Module



External Port

The RG-PA460I-F module provides AC power input to RG-S7805C. The front panel of the power supply module provides a 3-pin plug, which can be connected to a standard 10A power cord.

LED

| Indicator | ID | State | Meaning |
|---------------|----|-------------|---|
| Output Status | - | Solid green | Output is OK. |
| | | Off | There is no power output or an output error occurs. |

Specifications

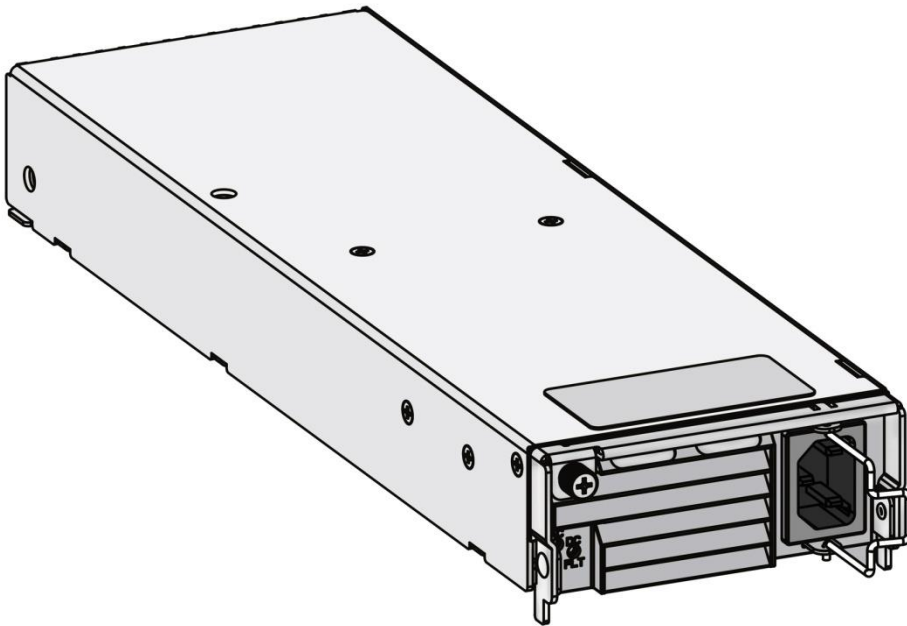
| | |
|------------------------|---|
| Module Model | RG-PA460I-F |
| Rated Voltage Range | 100 to 120 VAC 200 to 240 VAC 50/60Hz |
| Max Voltage Range | 90 to 290 VAC; 45 to 65 Hz |
| Max Power Output | 90 to 290 VAC; 460W |
| HVDC | Unsupported |
| Input Leakage Current | ≤1mA |
| Weight | Net weight: 0.9kg |
| Power Cord Requirement | 10A power cord |

i Operation Altitude: 5,000m max. Storage Altitude: 5,000 max.

2.3.1.3 RG-PA600I-F

Module Appearance

Figure 2-31 Appearance of the RG-PA600I-F Module



External Port

The RG-PA600I-F module provides 12 VAC input to the overall system of the RG-S7808C switch. The front panel of the power supply module provides a 3-pin plug, which can be connected to a standard 10A power cord.

LED

| LED | | Meaning |
|-------------|--------------|--|
| AC | DC/FLT | |
| Solid green | Solid green | The module is operational |
| Off | Solid red | There is no power input or input undervoltage. |
| Solid green | Solid red | Overvoltage |
| Solid green | Solid red | Overcurrent |
| Solid green | Solid orange | Temperature alarm |
| Solid green | Solid red | Over-temperature fault |
| Solid green | Solid red | PSR on/off |

Specifications

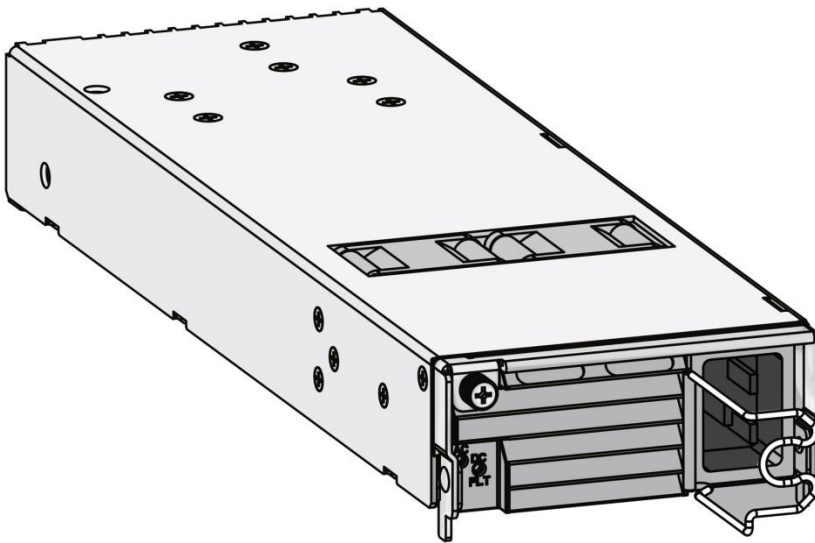
| | |
|---------------------------|---|
| Module Model | RG-PA600I-F |
| Rated Voltage Range | 100 to 120 VAC, 200 to 240 VAC; 50/60 Hz |
| Max Voltage Range | 90 to 264 VAC; 47 to 63 Hz |
| Max Power Output | 90 to 180 VAC Power: 600 W 180 to 264 VAC Power: 600 W |
| High Current DC Parameter | 192 to 290VDC Power: 600 W |
| Input Leakage Current | ≤0.85mA |
| Weight | Net weight: 1.64 kg |
| Power Cord Requirement | 10A power cord |

i When you plug the power cable into the power supply, pull down the retention clip over the plug on the power cable. Operation Altitude: 5000m max. Storage Altitude: 5000 max.

2.3.1.4 RG-PA1600I-F

Module Appearance

Figure 2-32 Appearance of the RG-PA1600I-F Module



External port

The RG-PA1600I-F module provides 12 VAC input to the overall system of the RG-S7808C switch. The front panel of the power supply module provides a 3-pin plug, which can be connected to standard 16A power cord.

LED

| LED | | Meaning |
|-------------|--------------|--|
| AC | DC/FLT | |
| Solid green | Solid green | The module is operational |
| Off | Solid red | There is no power input or input undervoltage. |
| Solid green | Solid red | Overvoltage. |
| Solid green | Solid red | Overcurrent. |
| Solid green | Solid orange | Temperature alarm |
| Solid green | Solid red | Over-temperature fault |
| Solid green | Solid red | PSR on/off |

Specifications

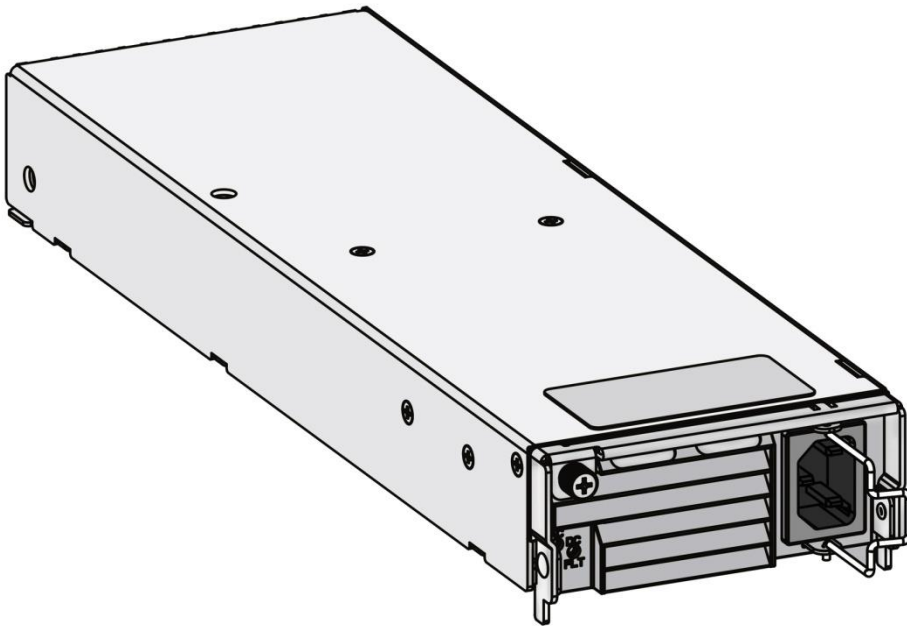
| | |
|---------------------------|---|
| Module Model | RG-PA1600I-F |
| Rated Voltage Range | 100 to 120 VAC, 200 to 240 VAC; 50/60 Hz |
| Max Voltage Range | 90 to 264 VAC; 47 to 63 Hz |
| Max Power Output | 90 to 180 VAC Power: 1200 W 180 to 264 VAC Power: 1600 W |
| High Current DC Parameter | 192 to 290VDC Power: 1600W |
| Input Leakage Current | ≤3mA |
| Weight | Net weight: 2.04 kg |
| Power Cord Requirement | 16A power cord |

i When you plug the power cable into the power supply, pull down the retention clip over the plug on the power cable. Operation Altitude: 5000m max. Storage Altitude: 5000 max.

2.3.1.5 RG-PA600I

Module Appearance

Figure 2-33 Appearance of the RG-PA600I Module



External Port



The RG-PA600I module provides 12 VAC input to the overall system of the RG-S7810C switch. The front panel of the power supply module provides a 3-pin plug, which can be connected to a standard 10A power cord.

LED

| LED | | Meaning |
|-------------|--------------|--|
| AC | DC/FLT | |
| Solid green | Solid green | The module is operational |
| Off | Solid red | There is no power input or input undervoltage. |
| Solid green | Solid red | Overvoltage. |
| Solid green | Solid red | Overcurrent. |
| Solid green | Solid orange | Temperature alarm |
| Solid green | Solid red | Over-temperature fault |
| Solid green | Solid red | PSR on/off |

Specifications

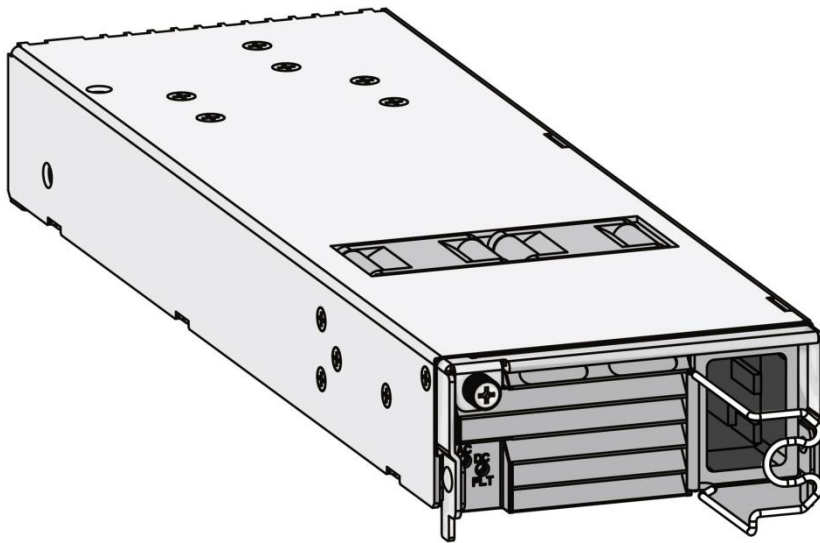
| | | | |
|------------------------|--|--------------|--|
| Module Model | RG-PA1600I | | |
| Rated Voltage Range | 100 to 120 VAC, 200 to 240 VAC; 50/60 Hz | | |
| Max Voltage Range | 90 to 264 VAC; 47 to 63 Hz | | |
| Max Power Output | 90 to 180 VAC | Power: 600 W | |
| | 180 to 264 VAC | Power: 600 W | |
| HVDC | 192 to 290 VDC Power: 600W | | |
| Weight | Net weight: 1.64 kg | | |
| Power Cord Requirement | 10A power cord | | |

-  When you plug the power cable into the power supply, pull down the retention clip over the plug on the power cable.
-  Operation Altitude: 4000m max. Storage Altitude: 4000 max.

2.3.1.6 RG-PA1600I

Module Appearance

Figure 2-34 Appearance of the RG-PA1600I Module



External Port

The RG-PA1600I module provides 12 VAC input to the overall system of the RG-S7810C switch. The front panel of the power supply module provides a 3-pin plug, which can be connected to standard 16A power cord.

LED

| LED | | Meaning |
|-------------|--------------|--|
| AC | DC/FLT | |
| Solid green | Solid green | The module is operational |
| Off | Solid red | There is no power input or input undervoltage. |
| Solid green | Solid red | Overvoltage. |
| Solid green | Solid red | Overcurrent. |
| Solid green | Solid orange | Temperature alarm |
| Solid green | Solid red | Over-temperature fault |
| Solid green | Solid red | PSR on/off |

Specifications

| | | | |
|------------------------|--|---------------|--|
| Module Model | RG-PA1600I | | |
| Rated Voltage Range | 100 to 120 VAC, 200 to 240 VAC; 50/60 Hz | | |
| Max Voltage Range | 90 to 264 VAC; 47 to 63 Hz | | |
| Max Power Output | 90 to 180 VAC | Power: 1200 W | |
| | 180 to 264 VAC | Power: 1600 W | |
| HVDC | 192 to 216 VDC | Power: 1200W | |
| | 216 to 290 VDC | Power: 1600W | |
| Weight | Net weight: 2.04 kg | | |
| Power Cord Requirement | 16A power cord | | |

i When you plug the power cable into the power supply, pull down the retention clip over the plug on the power cable.

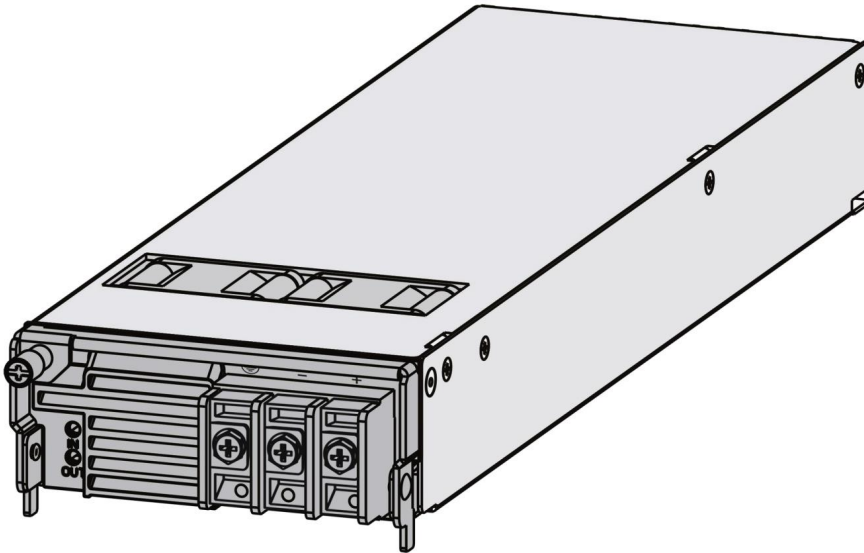
i Operation Altitude: 4000m max. Storage Altitude: 4000 max.

2.3.2 DC Power Supply Modules

2.3.2.1 RG-PD600I-F

Module Appearance

Figure 2-35 Appearance of the RG-PD600I-F Module



External Port

The RG-PD600I module provides one DC (-48V) power port.

LED

| LED | | Meaning |
|-------------|--------------|---|
| AC | DC/FLT | |
| Solid green | Solid green | The module is operational |
| Solid green | Solid red | There is external power supply. The power module is not in use. |
| Off | Solid red | There is no external power supply. The power module is in use. |
| Off | Solid red | Overcurrent |
| Solid green | Solid red | Output overcurrent protection |
| Solid green | Solid orange | Temperature alarm |
| Solid green | Solid red | Over-temperature protection |
| Solid green | Solid red | PSR on/off |
| Solid green | Solid red | Phase loss protection |
| Solid green | Solid red | Fan failure |

Specifications

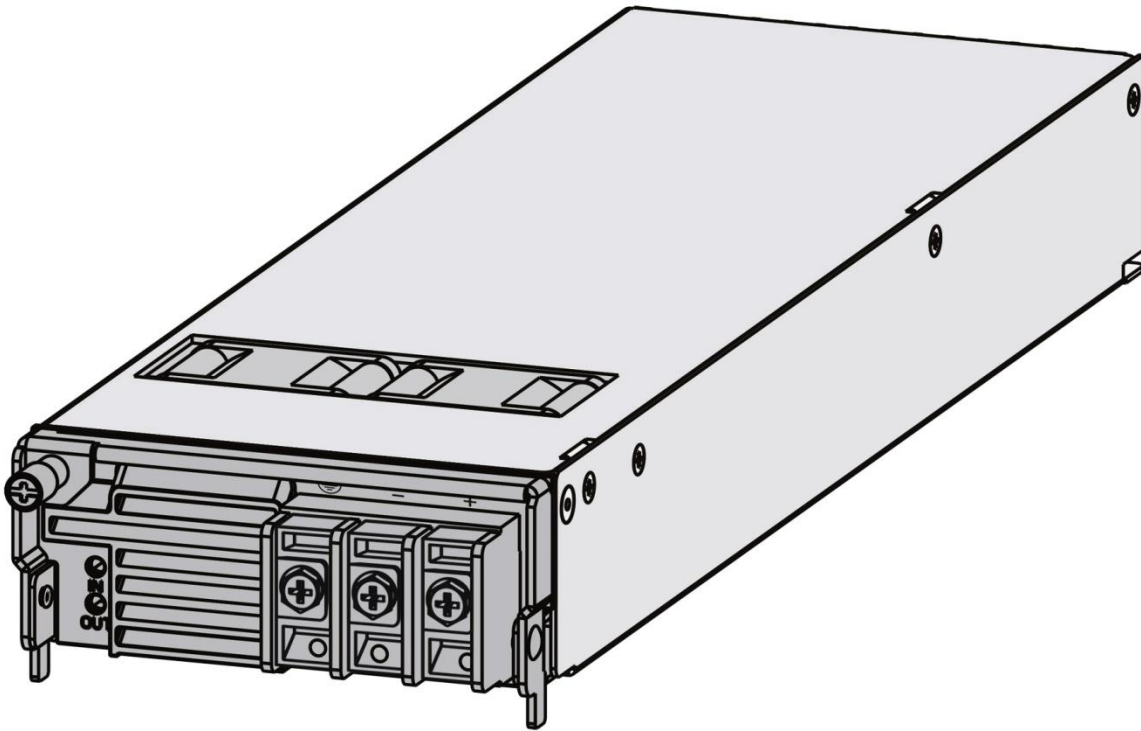
| | |
|------------------------|---------------------|
| Module Model | RG-PD600I-F |
| Rated Voltage Range | -48 VDC |
| Max Voltage Range | -40 VDC to -75 VDC |
| Max Power Output | 600 W |
| Weight | Net weight: 1.30 kg |
| Power Cord Requirement | 20A power cord |

i When you plug the power cable into the power supply, pull down the retention clip over the plug on the power cable. Operation Altitude: 2000m max. Storage Altitude: 2000 max.

2.3.2.2 RG-PD600I

Module Appearance

Figure 2-36 Appearance of the RG-PD600I Module



External Port



The RG-PD600I module provides one DC (-48V) power port.

LED

| LED | | Meaning |
|-------------|--------------|---|
| AC | DC/FLT | |
| Solid green | Solid green | The module is operational |
| Solid green | Solid red | There is external power supply. The power module is not in use. |
| Off | Solid red | There is no external power supply. The power module is in use. |
| Off | Solid red | Overcurrent |
| Solid green | Solid red | Output overcurrent protection |
| Solid green | Solid orange | Temperature alarm |
| Solid green | Solid red | Over-temperature protection |
| Solid green | Solid red | PSR on/off |
| Solid green | Solid red | Phase loss protection |
| Solid green | Solid red | Fan failure |

Specifications

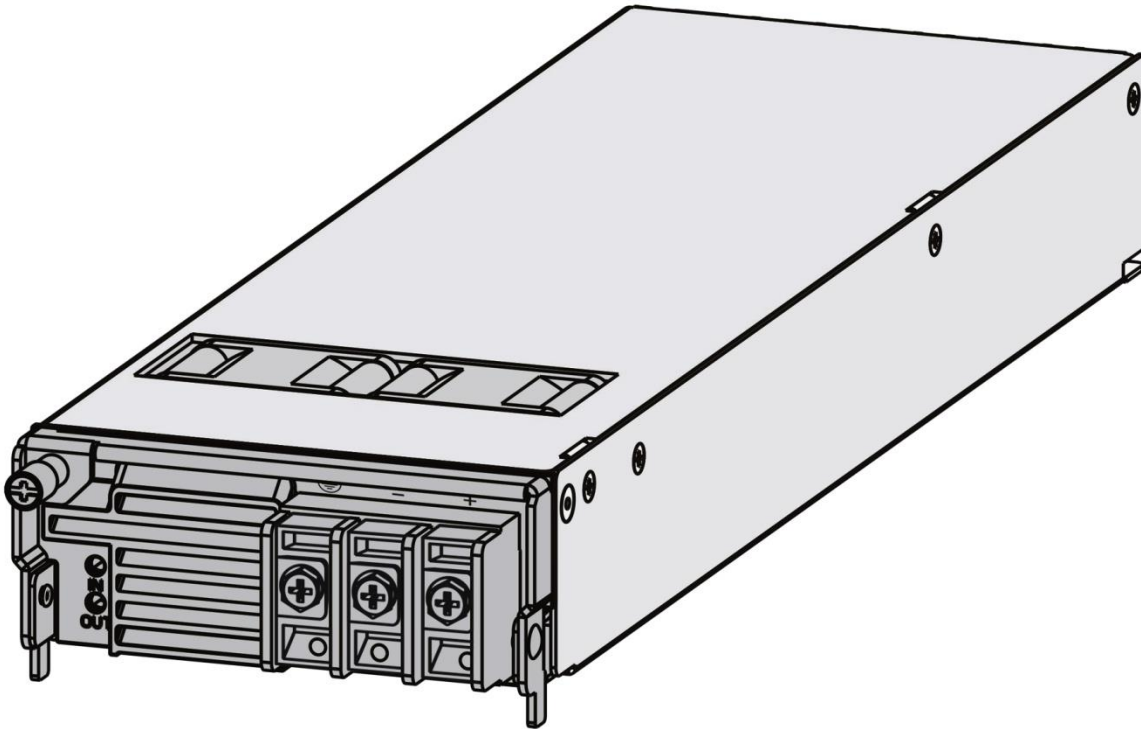
| | |
|------------------------|---------------------|
| Module Model | RG-PD600I |
| Rated Voltage Range | -48VDC |
| Max Voltage Range | -40VDC to -75VDC |
| Max Output Power | 600W |
| Weight | Net weight: 1.30 kg |
| Power Cord Requirement | 20A power cord |

-  When you plug the power cable into the power supply, pull down the retention clip over the plug on the power cable.
-  Operation Altitude: 2000m max. Storage Altitude: 2000 max.

2.3.2.3 RG-PD1600I

Module Appearance

Figure 2-37 Appearance of the RG-PD1600I Module



External Port

The RG-PD1600I module provides one DC (-48V) power port.

LED

| LED | | Meaning |
|-------------|--------------|---|
| AC | DC/FLT | |
| Solid green | Solid green | The module is operational |
| Solid green | Solid red | There is external power supply. The power module is not in use. |
| Off | Solid red | There is no external power supply. The power module is in use. |
| Off | Solid red | Overcurrent |
| Solid green | Solid red | Output overcurrent protection |
| Solid green | Solid orange | Temperature alarm |
| Solid green | Solid red | Over-temperature protection |
| Solid green | Solid red | PSR on/off |
| Solid green | Solid red | Phase loss protection |
| Solid green | Solid red | Fan failure |

Specifications

| | |
|---------------------|---------------------|
| Module Model | RG-PD600I |
| Rated Voltage Range | -48VDC |
| Max Voltage Range | -40VDC to -75VDC |
| Max Output Power | 1400W |
| Weight | Net weight: 1.60 kg |

| | | |
|-------------------|------|----------------|
| Power Requirement | Cord | 50A power cord |
|-------------------|------|----------------|

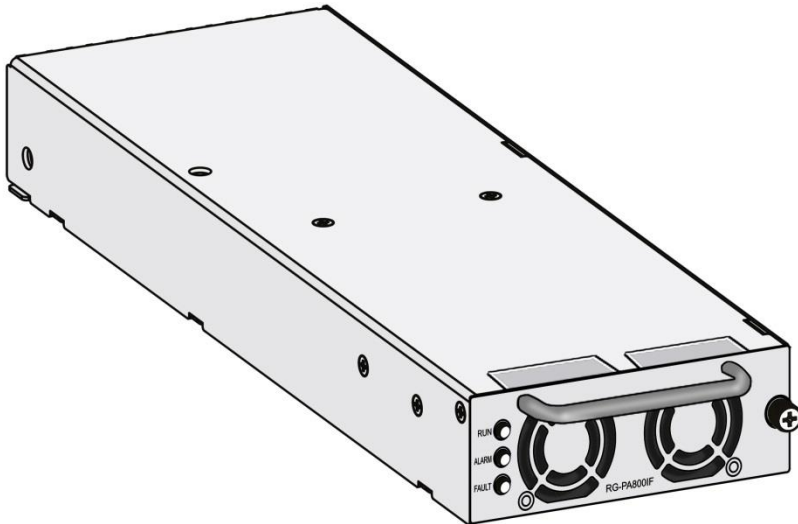
- i** When you plug the power cable into the power supply, pull down the retention clip over the plug on the power cable.
- i** Operation Altitude: 2000m max. Storage Altitude: 2000 max.

2.3.3 PoE Modules

2.3.3.1 RG-PA800IF

Module Appearance

Figure 2-38 Appearance of the RG-PA800I-PL Module



The RG-PA800I-PL module provides AC power input to the M78-PSE-L module.

External Port

The 3-pin plug is on the M78-PSE module. This plug can be connected to a standard 10A power cord. For more information about M78-PSE-L, please refer to *M78-PSE-L*.

LED

| LED | | | Meaning |
|----------------|--------------|--------------|-----------------------------------|
| Run | Alarm | Fault | |
| Solid green | Off | Off | The module is operational |
| Off | Off | Off | There is no power input |
| Blinking green | Off | Off | The module is in standby mode |
| Solid green | Solid yellow | Off | Persistent overcurrent. |
| Solid green | Solid yellow | Off | Temperature alarm |
| Off | Off | Solid red | Over-temperature causes power-off |
| Off | Off | Solid red | AC is powered off. |
| Off | Off | Solid red | Short circuit. |
| Off | Off | Solid red | Output undervoltage |
| Off | Off | Solid red | Output overvoltage |
| Solid green | Off | Blinking red | Communication fails |

Specifications

| | |
|---------------------|-------------------------|
| Module Model | RG-PA800I-PL |
| Rated Voltage Range | 100 to 240VAC; 50/60 Hz |

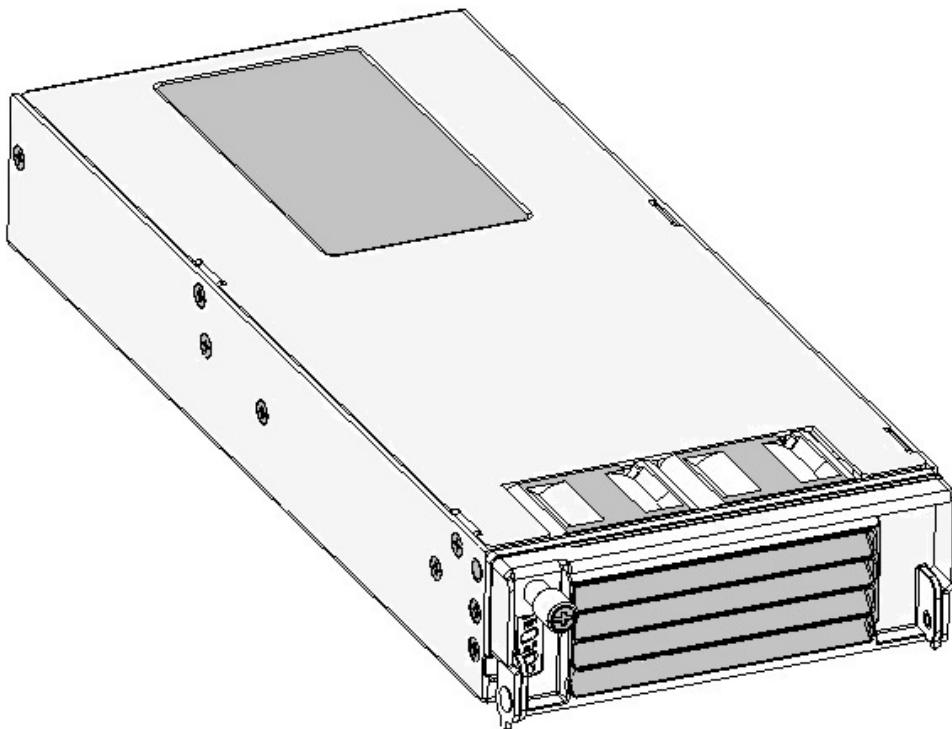
| | | | |
|------------------------|----------------------------|-------------|----------------------------|
| Max Voltage Range | 90 to 264 VAC; 47 to 63 Hz | | |
| Max Power Output | 90 to 176 VAC | Power: 400W | 176 to 264 VAC Power: 800W |
| Input Leakage Current | ≤3.5mA | | |
| Weight | Net weight: 1.20kg | | |
| Power Cord Requirement | 10A power cord | | |

i Operation Altitude: 5,000m max. Storage Altitude: 5,000 max.

2.3.3.2 RG-PA3000I-PL

Module Appearance

Figure 2-39 Appearance of the RG-PA3000I-PL Module



The RG-PA 3000I-PL module provides AC power input to the M78-PSE module.

External Port

The 3-pin plug is on the M78-PSE module. This port can be connected to standard 16 A power cord.

LED

| LED | | | Meaning |
|----------------|--------------|-----------|-----------------------------------|
| Run | Alarm | Fault | |
| Solid green | Off | Off | The module is operational |
| Off | Off | Off | There is no power input |
| Blinking green | Off | Off | The module is in standby mode |
| Solid green | Solid yellow | Off | Persistent overcurrent. |
| Solid green | Solid yellow | Off | Temperature alarm |
| Off | Off | Solid red | Over-temperature causes power-off |
| Off | Off | Solid red | AC is powered off. |
| Off | Off | Solid red | Short circuit. |
| Off | Off | Solid red | Output undervoltage |

| | | | |
|-------------|-----|--------------|---------------------|
| Off | Off | Solid red | Output overvoltage |
| Solid green | Off | Blinking red | Communication fails |

Specifications

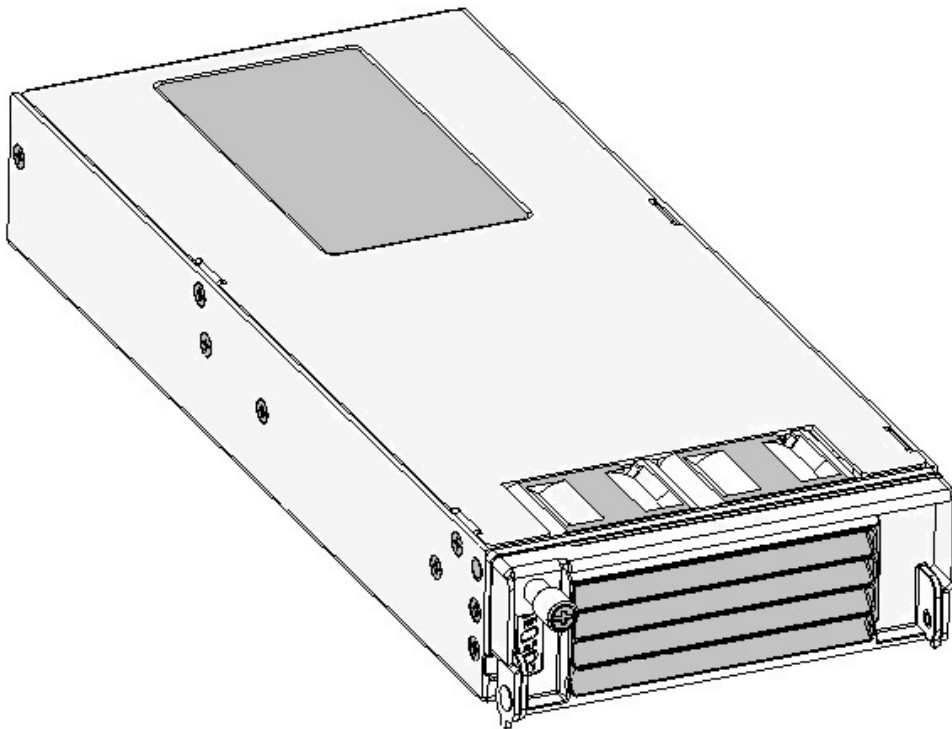
| | | | |
|------------------------|--|---------------|--|
| Module Model | RG-PA3000I-PL | | |
| Rated Voltage Range | 100 to 120 VAC, 210 to 240 VAC; 50/60 Hz | | |
| Max Voltage Range | 90 to 264 VAC; 47 to 63 Hz | | |
| Max Power Output | 90 to 176 VAC | Power: 1200 W | |
| | 176 to 210 VAC | Power: 2500 W | |
| | 210 to 264 VAC | Power: 3000W | |
| Input Leakage Current | < 1.5mA | | |
| Weight | Net weight: 2.10 kg | | |
| Power Cord Requirement | 16A power cord | | |

i Operation Altitude: 5000m max. Storage Altitude: 5000 max.

2.3.3.3 RG-PA1600I-PL

Module Appearance

Figure 2-40 Appearance of the RG-PA1600I-PL Module



The RG-PA1600I-PL module provides AC power input to the M78-PSE module.

External Port

The 3-pin plug is on the M78-PSE module. This port can be connected to standard 16 A power cord. For more information about M78-PSE, please refer to *M78-PSE*.

LED

| LED | | | Meaning |
|-------------|-------|-------|---------------------------|
| Run | Alarm | Fault | |
| Solid green | Off | Off | The module is operational |

| | | | |
|----------------|--------------|--------------|-----------------------------------|
| Off | Off | Off | There is no power input |
| Blinking green | Off | Off | The module is in standby mode |
| Solid green | Solid yellow | Off | Persistent overcurrent. |
| Solid green | Solid yellow | Off | Temperature alarm |
| Off | Off | Solid red | Over-temperature causes power-off |
| Off | Off | Solid red | AC is powered off. |
| Off | Off | Solid red | Short circuit. |
| Off | Off | Solid red | Output undervoltage |
| Off | Off | Solid red | Output overvoltage |
| Solid green | Off | Blinking red | Communication fails |

Specifications

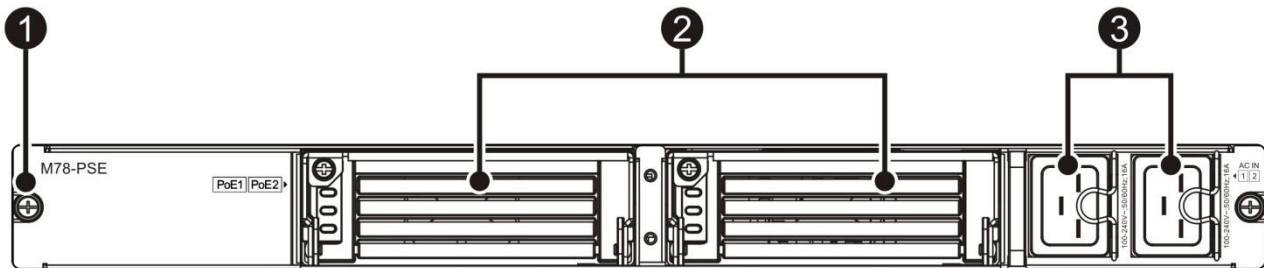
| | | | |
|------------------------|--|---------------|--|
| Module Model | RG-PA1600I-PL | | |
| Rated Voltage Range | 100 to 120 VAC, 210 to 240 VAC; 50/60 Hz | | |
| Max Voltage Range | 90 to 264 VAC; 47 to 63 Hz | | |
| Max Power Output | 90 to 176 VAC | Power: 1200 W | |
| | 176 to 264 VAC | Power: 1600 W | |
| Input Leakage Current | < 1.5mA | | |
| Weight | Net weight: 1.70 kg | | |
| Power Cord Requirement | 16A power cord | | |

i Operation Altitude: 5000m max. Storage Altitude: 5000 max.

2.3.4 PSE Modules

2.3.4.1 M78-PSE

Figure 2-41 Appearance of the RG-M78-PSE Module



| | | |
|-------|------------------------------------|-------------------------|
| Note: | 1. Captive screw of the PSE module | 3. Jacks for PoE cables |
| | 2. PoE power slots | |

Composition

The M78-PSE module provides PoE power input to RG-S7808C. The front panel of the power supply module provides two PoE power supply slots and two 3-pin plug, which can be connected to standard 16A power cord. The M78-PSE module supports RG-PA3000I-PL and RG-PA1600I-PL power supply module.

- !** Do not insert the PoE power supply into the system power module slot.
- !** Do not connect the PoE power cord to the system power supply. The 3-pin plug for the PoE module is on the M78-PSE module.
- !** The M78-PSE module provides two PoE power module slots (PoE1 and PoE2) and two 3-pin plugs (port for PoE1 is the left one of ③ marked on Figure 1-15; port for PoE2 is the right one of ③ marked on Figure 1-15).

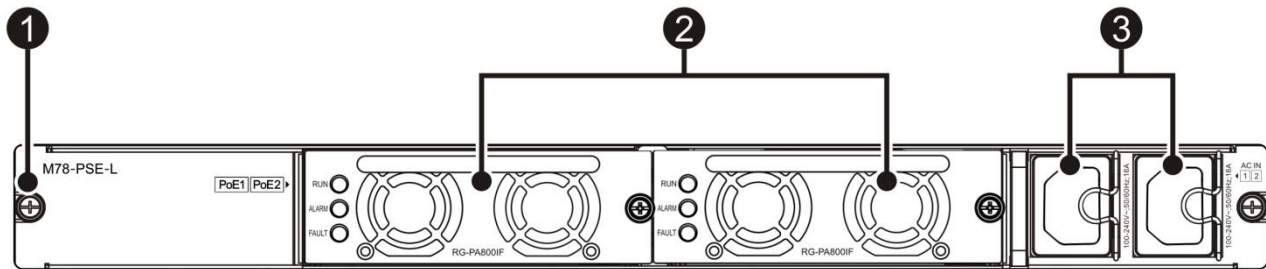
Specifications

| | |
|------------------------|----------------------|
| Dimensions (W x D x H) | 400mm x 439mm x 43mm |
|------------------------|----------------------|

| | |
|--------|---------------------|
| Weight | Net weight: 3.50 kg |
|--------|---------------------|

2.3.4.2 M78-PSE-L

Figure 2-42 Appearance of the M78-PSE-L Module



| | | |
|-------|------------------------------------|-------------------------|
| Note: | 1. Captive screw of the PSE module | 3. Jacks for PoE cables |
| | 2. PoE power slots | |

Composition

The M78-PSE-L module provides PoE power input to RG-S7808C. The front panel of the power supply module provides two PoE power supply slots and two 3-pin plug, which can be connected to a standard 10A power cord. The M78-PSE-L module supports the RG-PA800IF power supply module.

- ⚠ Do not insert the PoE power supply into the system power module slot.
- ⚠ Do not connect the PoE power cord to the system power supply. The 3-pin plug for the PoE module is on the M78-PSE-L module.
- ⚠ The M78-PSE-L module provides two PoE power module slots (PoE1 and PoE2) and two 3-pin plugs (port for PoE1 is the left one of ③ marked on Figure 1-16; port for PoE2 is the right one of ③ marked on Figure 1-16).

Specifications

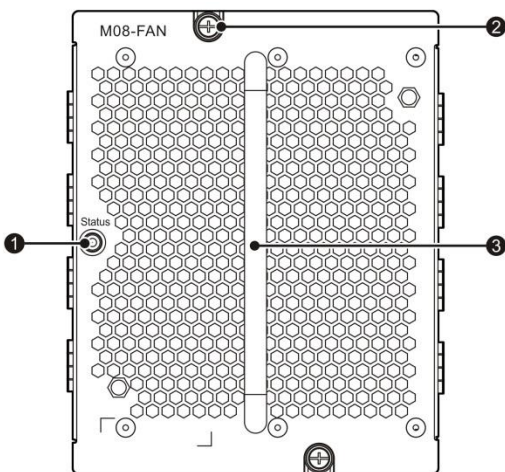
| | |
|------------------------|-------------------------|
| Dimensions (W x D x H) | 167.5mm x 132mm x 133mm |
| Weight | Net weight: 3.70 kg |

2.3.5 Fan Modules

2.3.5.1 M08-FAN

Module Appearance

Figure 2-43 Appearance of the M08-FAN Module



| | | |
|-------|-------------------------------|---------------|
| Note: | 1. Fan status LED | 3. Fan handle |
| | 2. Captive screws of fan tray | |

Composition

The M08-FAN is the fan for service modules and supervisor modules on the RG-S7808C. There is one M08-FAN tray with two fans and one fan control board. The M08-FAN draws air out to form convection for heat dissipation.

Specifications

| | |
|-----------------------|----------------------------|
| Fan Model | M08-FAN |
| Dimension (W x D x H) | 167.5 mm x 132 mm x 133 mm |

LED

| LED | Status | Meaning |
|--------|-------------|----------------------------|
| Status | Off | The fan is not powered on. |
| | Solid green | The fan is operational. |

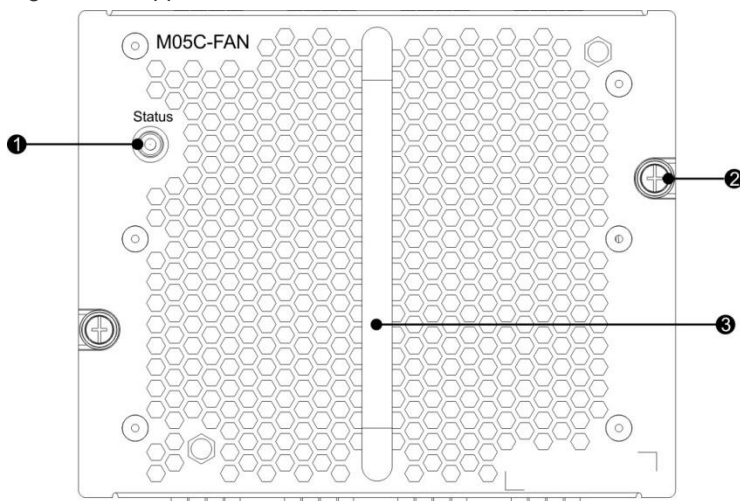
Features

| Function | Meaning |
|----------------------------|--|
| Status Monitoring | Rotational speed monitoring, failure alarm |
| Automatic Speed-adjustment | Speed-adjustment controlled by temperature |
| Hot Swapping | Hot swapping is supported by the fan tray. |

2.3.5.2 M05C-FAN

Module Appearance

Figure 2-44 Appearance of the M05C-FAN Module



| | | |
|-------|--|---------------|
| Note: | 1. Fan status LED 2. Captive screws of fan tray | 3. Fan handle |
|-------|--|---------------|

Composition

The M05C-FAN is the fan for service modules and supervisor modules on the RG-S7805C. There is one M08-FAN tray with two fans and one fan control board. The M05C-FAN draws air out to form convection for heat dissipation.

Specifications

| | |
|-----------------------|----------------------------|
| Fan Model | M08-FAN |
| Dimension (W x D x H) | 167.5 mm x 132 mm x 133 mm |

LED

| LED | Status | Meaning |
|--------|-------------|-------------------------|
| Status | Off | The fan is powered off. |
| | Solid green | The fan is operational. |

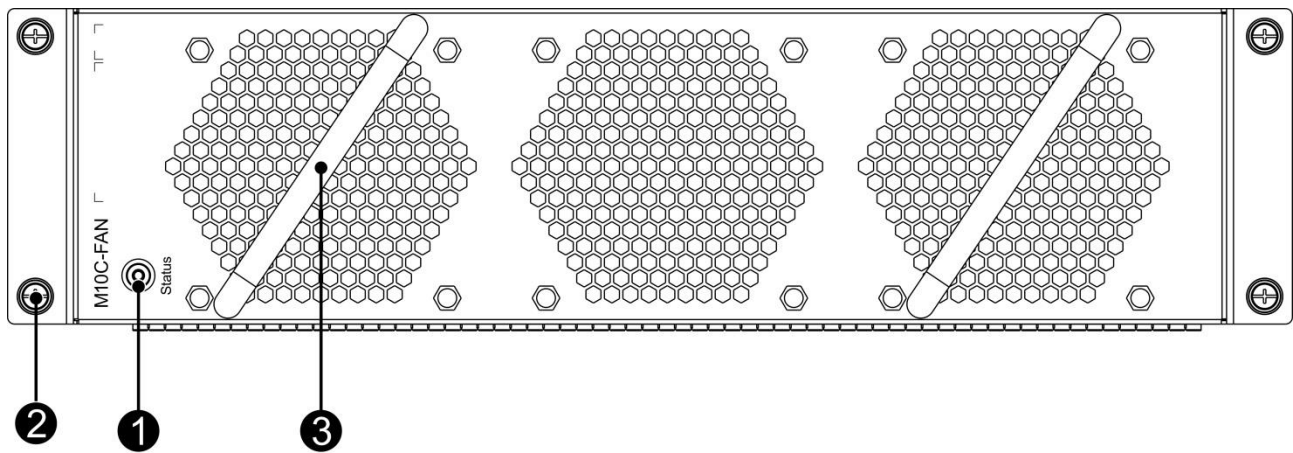
Features

| Function | Meaning |
|----------------------------|--|
| Status Monitoring | Rotational speed monitoring, failure alarm |
| Automatic Speed-adjustment | Speed-adjustment controlled by temperature |
| Hot Swapping | Hot swapping is supported by the fan tray. |

2.3.5.3 M10C-FAN

Module Appearance

Figure 2-45 Appearance of the M10C-FAN Module



| | | |
|-------|--|---------------|
| Note: | 1. Fan status LED 2. Captive screws of fan tray | 3. Fan handle |
|-------|--|---------------|

Composition

The M10C-FAN is the fan for service modules and supervisor modules on the RG-S7810C. There is one M10C-FAN tray with six fans and one fan control board. The M10C-FAN draws air out to form convection for heat dissipation.

Specifications

| | |
|-----------------------|------------------------|
| Fan Model | M10C-FAN |
| Dimension (W x D x H) | 91 mm x 94 mm x 370 mm |

LED



| LED | Status | Meaning |
|--------|-------------|----------------------------------|
| Status | Off | The fan is powered off or fails. |
| | Solid green | The fan is operational. |
| | Red | A fan fails. |

Features

| Function | Meaning |
|----------------------------|--|
| Status Monitoring | Rotational speed monitoring, failure alarm |
| Automatic Speed-adjustment | Speed-adjustment controlled by temperature |
| Hot Swapping | Hot swapping is supported by the fan tray. |

3 Preparation before Installation

3.1 Safety Suggestions




-
-  To avoid body injury and equipment damage, please carefully read the safety suggestions before you install RG-S7800C.
 -  The following safety suggestions do not cover all possible dangers.
-

3.1.1 General Suggestions



- Take security measures (such as wearing an anti-static wrist strap) to ensure safety.
- Keep the chassis clean, free from any dust. Please do not place the switch at a damp place to prevent the moisture from entering the switch.
- Make sure the installation site is dry and flat. Take skid-proof measures.
- Do not place the equipment in a walking area.
- Do not wear loose clothes or any other things that may be caught by the chassis during installation and maintenance.
- Moving or lifting the switch and its components requires team work. Be careful not to get hurt.

3.1.2 Safety Precautions for Removal

RG-S7800C is large and heavy. When you handle them, please pay attention to the following requirements:

- Avoid moving the equipment frequently.
 - Turn off all power supplies and unplug all power cables before you remove the equipment.
 - At least four people are needed to move the equipment. Do not attempt to move the equipment by one person only.
 - Keep balance when moving the equipment, and avoid injuring your leg and feet or spraining your waist.
-
-  Do not move the equipment by grasping the panel, power supply handle, ventilation holes of the chassis, as they are not designed to bear the weight of the entire equipment. This may cause damage or even injure you.
 -  Remove all supervisor modules, service modules and power modules before you move the device, to reduce the chassis weight.
 -  The device must be installed and used in the restricted access location.
-

3.1.3 Electrical Safety

- Please observe local regulations and specifications when performing electrical operations. Relevant operators must be qualified.
 - Please carefully check for any potential danger in the working area, for example, ungrounded power supply, unreliable grounding of the power supply and damp/wet ground or floor.
 - Find out the location of the emergency power supply switch in the room before installation. First cut off the power supply in case of an accident.
 - Be sure to make a careful check before you shut down the power supply.
 - Do not place the equipment in a damp/wet location. Do not let any liquid enter the chassis
-
-  Any nonstandard and inaccurate electrical operation can cause an accident such as fire or electrical attack, thus causing severe even fatal damages to human bodies and equipment.
 -  Direct or indirect touch through a wet object on high-voltage and mains supply can bring a fatal danger.
-

3.1.4 Static Discharge Damage Prevention

Although much has been done in RG-S7800C to prevent static electricity, great damage may be caused to the circuitry and equipment when the static electricity exceeds a certain limit. In the communication network of the RG-S7800C, electrostatic induction may come from the following sources: External electric field produced by the high-voltage supply cable, lightning, etc; internal systems such as the indoor floor and the entire structure.

To prevent damage from static electricity, you must pay attention to the following:

- Properly ground the equipment.

- Take dust prevention measures in the room.
- Maintain an appropriate humidity.
- Always wear an anti-static wrist strap when you touch any circuit board.
- Try to hold a circuit board by its edges. Do not touch any components or the PCB.
- Use an anti-static shielding bag to properly store the board.
- Do not let any clothes touch a circuit board. An antistatic wrist strap can only prevent human static electricity from damaging the circuit board, but cannot prevent any static electricity on clothes.

! The S7800C series switches are equipped with an anti-static wrist strap. Please refer to Figure 2-1 for the position of the jack for the wrist strap.

The S7800C series switches are equipped with an anti-static wrist strap. To protect electronic components against static electricity, wear an anti-static wrist strap close to your skin and keep it properly grounded while installing swappable modules.

Use an anti-static wrist strap as follows:

1. Ensure that the switch is properly grounded.
2. Put your hand in the anti-static wrist strap.
3. Tighten the buckle till the trap is closely attached to your skin.

! For safety, use a multimeter to measure the resistance between yourself and the ground, which should be within the range from 1 to 10 Ω .

! Make sure that the switch is properly grounded when the anti-static wrist strap is connected to the ground through the chassis jack.

Figure 3-1 Preventing EMI on RG-S7808C

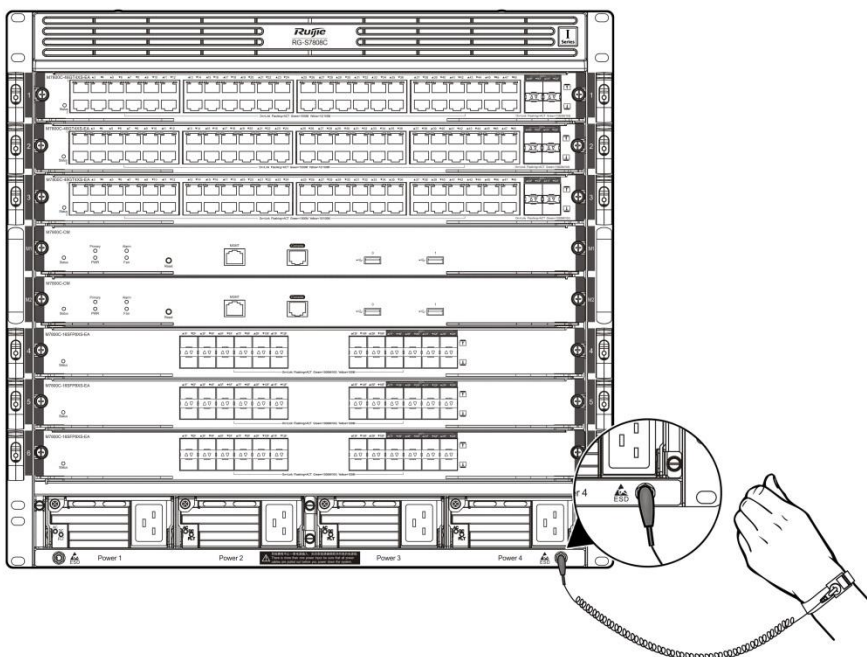
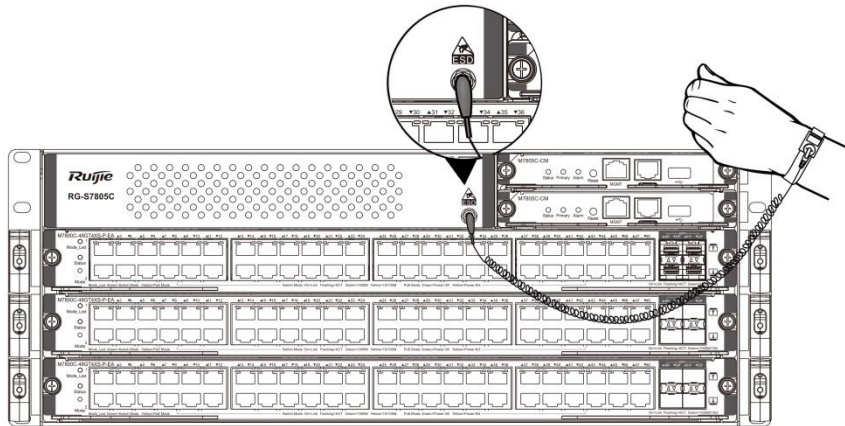


Figure 3-2 Preventing EMI on RG-S7805C



3.1.5 Laser Safety

Among the modules supported by RG-S7800C, there are a great number of optical modules that are Class I laser products.

Precautions:

- When a fiber transceiver works, ensure that the port has been connected with a fiber or is covered with a dust cap so as to keep out dust and avoid burning your eyes.
- Do not stare into any fiber port.

! Do not stare into any fiber port under any circumstances, as this may cause permanent damage to your eyes.

3.2 Installation Site Requirements

RG-S7800C must be used in the room. To ensure normal operation and a prolonged useful life of the equipment, the installation site must meet the following requirements.

3.2.1 Load Bearing Requirements

Evaluate the load bearing requirements for the ground according to the weight of the switch and its components (such as the cabinet, chassis, single board and power supply). Make sure the installation site meet the requirements.

3.2.2 Space Requirements

- It is recommended that the width of the machine room corridor be greater than 0.8m to ensure enough space for moving of chassis and plugging and removing of modules.
- Please do not install the switch against the wall. Instead, please leave some space around the switch for heat dissipation and switch maintenance.

3.2.3 Ventilation Requirements

See *RG-S7808C* and *RG-S7805C* in *Product Overview* for their heat dissipation and ventilation respectively. Sufficient space (10 cm at least) must be reserved at the air intakes and exhaust vents for ventilation. After connecting various cables, you should bundle the cables or place them in the cable management bracket to avoid blocking air intakes.

! Remove all foam packaging materials and protective plastics before you power on RG-S7808C/ RG-S7805C.

3.2.4 Temperature Requirements

To ensure the normal operation and a prolonged useful life of the RG-S7800C, you must maintain an appropriate temperature in the equipment room. Too high or low temperature for a long period of time may damage the equipment.

- In an environment with high temperature, the equipment is subjected to even greater harm, as its performance may degrade significantly and its useful life may be shortened in the case of long-term exposure that expedites the aging process.

Temperature Requirements of the RG-S7800C

| Operating Temperature | Storage Temperature |
|-----------------------|---------------------|
| 0°C to 50°C | -40°C to 70°C |

- i** The ambient temperature is measured at the point that is 1.5m above the floor and 0.4m before the equipment when there is no protective plate in front or back of the equipment rack.

3.2.5 Humidity Requirements

To ensure the normal operation and a prolonged use life of the RG-S7800C, you must maintain an appropriate humidity in the equipment room. Too high or low humidity for a long period of time may damage the equipment.

- In an environment with high relative humidity, the insulating material may have bad insulation or even leak electricity, and sometimes the materials may suffer from mechanical performance change and metallic parts may get rusted.
- On the other hand, in an environment with low relative humidity, the insulating strip may dry and shrink, and static electricity may occur easily and endanger the circuit on the equipment.

Humidity Requirements of the RG-S7800C

| Operating Humidity | Storage Humidity |
|-----------------------------|----------------------------|
| 10% to 90% (non-condensing) | 5% to 95% (non-condensing) |

- i** The ambient humidity is measured at the point that is 1.5m above the floor and 0.4m before the equipment when there is no protective plate in front or back of the equipment rack.

3.2.6 Cleanness Requirements

Dust poses the top threat to the running of the equipment. The indoor dust falling on the equipment may be adhered by the static electricity, causing bad contact of the metallic joint. Such electrostatic adherence may occur more easily when the relative humidity is low, not only affecting the use life of the equipment, but also causing communication faults. The following table shows the requirements for the dust content and granularity in the equipment room.

| Substance | Concentration Limit (particles/m ³) |
|--|---|
| Dust particles (diameter $\geq 0.5\mu\text{m}$) | $\leq 3.5 \times 10^6$ |
| Dust particles (diameter $\geq 5\mu\text{m}$) | $\leq 3 \times 10^4$ |

- i** The air filter of the RG-S7800C must be cleaned at interval to ensure good ventilation and dust prevention.

Apart from dust, the salt, acid and sulfide in the air in the equipment room must also meet strict requirements; as such poisonous substances may accelerate the corrosion of the metal and the aging of some parts. The equipment room should be protected from the intrusion of harmful gases (for example, SO₂, H₂S, NO₂ and Cl₂), whose requirements are listed in the following table.

| Gas | Average (mg/m ³) | Maximum (mg/m ³) |
|------------------|------------------------------|------------------------------|
| SO ₂ | 0.3 | 1.0 |
| H ₂ S | 0.1 | 0.5 |
| NO ₂ | 0.5 | 1.0 |
| Cl ₂ | 0.1 | 0.3 |

- i** The **Average** refers to the average limit of harmful gas in one week. The **Maximum** value is the upper limit of the harmful gas measured in one week for up to 30 minutes every day.

Dusting Cycle Suggestions:

- i** It is suggested to purchase an air filter and install it on the switch.

1. Clean the air filters every three months.
2. Dust the air intakes and exhaust vents of all modules every three months.
3. Dust the modules every one or two years.
4. Dust the fan shelves yearly.

5. Dust the chassis, including the backboard, every one or two years.

i If the device is in a poor dust prevention environment, please increase the dusting times.

3.2.7 Power Requirements






When the RG-S7808C can use the following power supplies:

- RG-PA1600I-F, RG-PA600I-F, RG-PA300I-F and RG-PA460I-F power modules adopt 90 to 264 VAC/ 47 to 63 Hz input.

i Input power shall be larger than the actual power consumption of entire system. For example, the S7808C chassis is installed with two M7800C-CM, two M7800C-48SFP4XS-EA and two M7800C-36GT12SFP4XS-EA modules. The total power consumption of the device would be: 2 x 65W (M7800C-CM) + 2 x 101W (M7800C-48SFP4XS-EA) + 2 x 80W (M7800C-36GT12SFP4XS-EA) + 176W (reserved power consumption for the whole switch) = 668W. It is recommended that you adopt one RG-PA1600I-F or two RG-PA600I-F modules.

The following table lists the power consumption of each module:

| RG-S7808C Series Modules | Maximum Power Consumption (W) |
|--------------------------|---|
| M7800C-CM | 65 |
| M7805C-CM | 33 |
| M7800C-16SFP8XS-EA | 95 |
| M7800C-24SFP/12GT4XS-EA | 85 |
| M7800C-36GT12SFP4XS-EA | 80 |
| M7800C-48GT4XS-EA | 70 |
| M7800C-48GT4XS-P-EA | No PoE/PoE+: <70W PoE: <70W+15.4W x N (N is the number of PoE ports in use, no greater than 48) PoE+: <70W+30W x N (N is the number of PoE+ ports in use, no greater than 48) |
| M7800C-48SFP4XS-EA | 101 |
| M7800C-24GT24SFP4XS-EA | 88 |
| M7800C-24SFP/12GT4XS-EB | 85 |
| M7800C-36GT12SFP4XS-EB | 80 |
| M7800C-48GT4XS-EB | 70 |
| M7800C-48SFP4XS-EB | 101 |
| M7800C-24GT24SFP4XS-EB | 88 |
| M7800C-32XS4QXS-DA | 210 |
| M7800C-24XT4QXS-DA | 245 |
| M7810C-FE-D I | 50 |
| M08-FAN | 88 |
| M7805C-CM II | 21 |
| M7808C-CM II | 50 |
| M7810C-CM-F | 110 |
| M7810C-FE-F I | 105 |
| M7800C-48GT4XS-P-EB | No PoE/PoE+: 70W PoE: <70W+15.4W x N (N is the number of PoE ports in use, no greater than 48) PoE+: <70W+30W x N (N is the number of PoE+ ports in use, no greater than 48) |
| M7800C-48GT-FA | 75 |
| M7800C-48SFP-FA | 95 |
| M7800C-48XS-FB | 160 |
| M7800C-4CQ-FB | 120 |
| M7800C-8CQ-FB | 130 |


-  The RG-S7800C provides N+N redundancy of power supply. You are recommended to use multiple power supplies for the equipment to ensure its continuous and stable operation by avoiding the impact of unexpected power failures on the equipment.
-  When the dual power supply is applied, the type of the power supply should be identical.
-  If a power supply system is equipped with a leakage protector (also referred to as "leakage current switch" or "leakage current breaker"), the rated leakage action current of each leakage protector is greater than twice of the theoretical maximum leakage current of all the power supplies in the system. For example, if a system is equipped with eight identical power supplies, the leakage current of each power supply is equal to or less than 3 mA, and the leakage current of the system totals 24 mA. A leakage protector with 30 mA rated action current supports less than five power supplies (that is, Action current of the leakage protector/2/Maximum leakage current of each power supply = $30/2/3 = 5$). In other words, the leakage protector with 30 mA rated action current supports no more than four power supplies. In this case, the eight power supplies in the system require at least two leakage protectors with 30 mA rated action current and each leakage protector supports four power supplies. If power supplies in a system differ in models, the rated leakage action current of each leakage protector divided by two is greater than the sum of maximum leakage currents of all the power supplies. The rated leakage non-action current of a leakage protector shall be 50% of the leakage action current. Take a leakage protector with 30 mA rated leakage action current as an example. The rated leakage non-action current shall be 15 mA. When the leakage current is below 15 mA, the protector shall not act. Otherwise, misoperation may easily occur due to high sensitivity and thus the leakage protector trips, devices are powered off, and services are interrupted.
-  To guarantee personal safety, the rated leakage action current of each leakage protector in the system must be equal to or less than 30 mA (human body safety current is 30 mA). When twice of the total leakage current of the system is greater than 30 mA, the system must be equipped with two or more leakage protectors.
-  For the leakage current value of each power supply model, see the power supply model parameter table in Chapter 1.

3.2.8 System Grounding Requirements

A good grounding system is the basis for the stable and reliable operation of the RG-S7800C. It is the key to prevent lightning stroke and resist interference. Please carefully check the grounding conditions on the installation site according to the grounding requirements, and perform grounding properly as needed.

Safety Grounding

The equipment using AC power supply must be grounded by using the yellow/green safety grounding cable. Otherwise, when the insulating resistance decreases the power supply and the enclosure in the equipment, electric shock may occur.

-  The building installation shall provide a means for connection to protective earth, and the equipment is to be connected to that means.

Lightning Grounding

The lightning protection system of the facility is a separate system that consists of the lightning rod, down lead conductor and the connector to the grounding system, which usually shares the power reference ground and yellow/green safety cable ground. The lightning discharge ground is for the facility only, irrelevant to the equipment.

-  For lightning protection, see Appendix C.

EMC Grounding

The ground required for EMC design includes shielding ground, filter ground, noise and interference suppression, and level reference. All the above constitute the comprehensive grounding requirements. The grounding resistance should be less than 1Ω. One grounding point is reserved at the left back of the chassis. The grounding point is pasted with a conspicuous warning label.

3.2.9 EMI Consideration

Various interference sources, from either outside or inside the equipment or application system, affect the system in the conductive ways such as capacitive coupling, inductive coupling, and electromagnetic radiation. There are two types of electromagnetic interferences: radiated interference and conducted interference, depending on the type of the propagation path. When the energy, often RF energy, from a component arrives at a sensitive component via the space, the energy is known as radiated interference. The interference source can be both a part of the interfered system and a completely electrically isolated unit. Conducted interference results from the electromagnetic wire or signal cable connection between the source and the sensitive component, along the cable the interference conducts from one unit to another. Conducted interference often affects the power supply of the equipment, but can be controlled by a filter. Radiated interference may affect any signal path in the equipment, and is difficult to shield.

- Effective measures should be taken for the power system to prevent the interference from the electric grid.

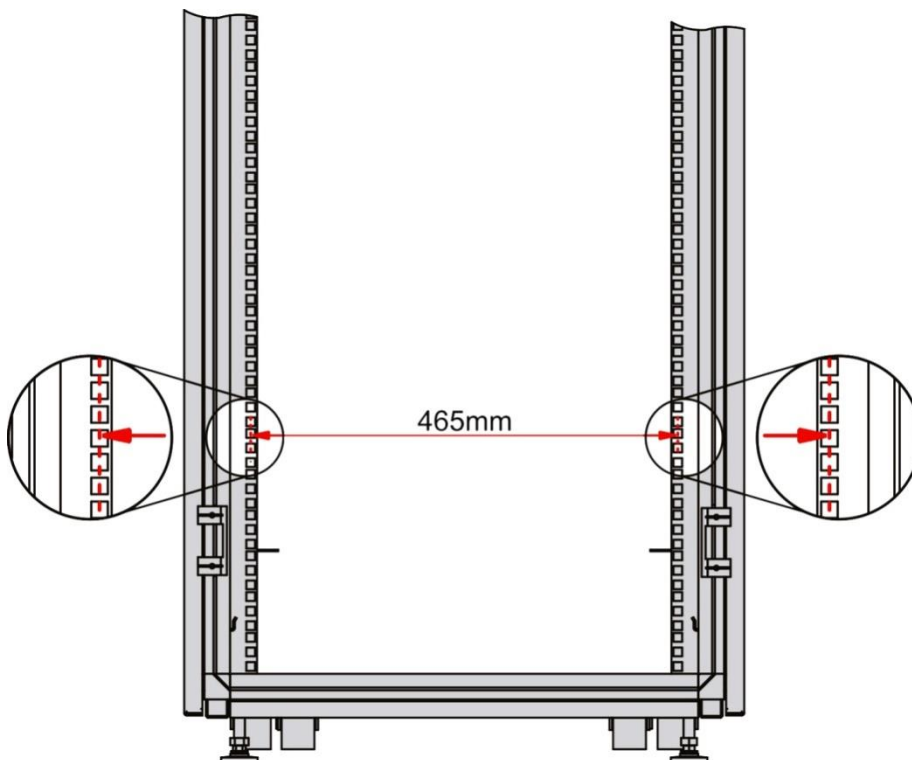
- The working ground of the routers should be properly separated and kept as far as possible from the grounding device of the power equipment or the anti-lightning grounding device.
- Keep the equipment away from high-power radio transmitter, radar transmitting station, and high-frequency large-current device.
- Measures must be taken to isolate static electricity.

3.3 Cabinet Mounting

Make sure the cabinet complies with the following conditions:

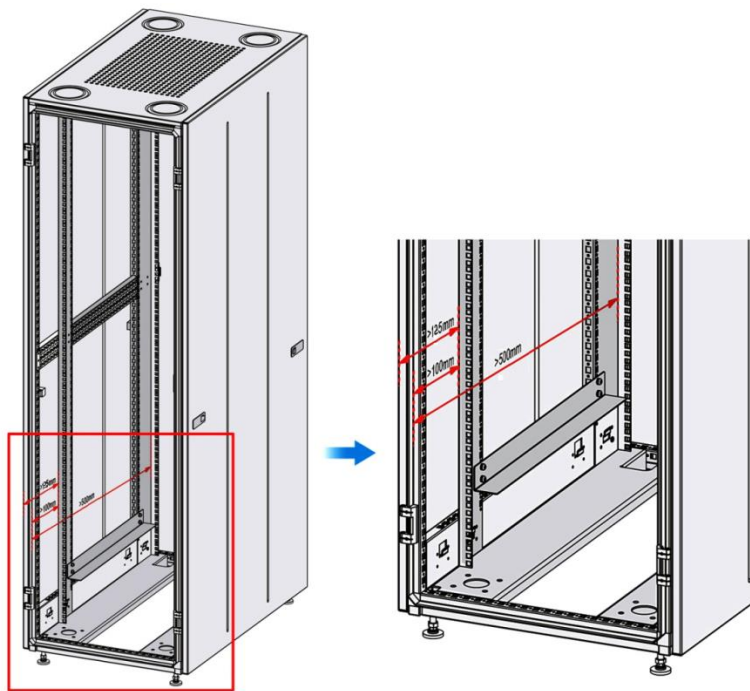
- Install the switch in a 19-inch cabinet in 4-port form hold.
- Be sure the distance between two square hole strips, one on each side, is 465 mm.

Figure 3-3 19-inch Cabinet



- Be sure that the square hold strip is at least 125 mm far from the outboard front door and the door is at most 25 mm thick to ensure a minimum available distance of 100 mm. The front door is at least 500 mm far from the back door,

Figure 3-4 Cabinet Dimensions



- Be sure that the slide rail in the cabinet is enough to bear the weight of a RG-S7808C and its installation accessories.
- Be sure that the cabinet provides an earthing terminal for the switch to be grounded.
- Be sure that the front and back doors of the cabinet have porosities greater than 50% for good ventilation and heat dissipation.

3.4 Installation Tools

| | |
|-----------------------------------|--|
| Common Tools | Cross screwdriver, straight screwdriver, related electric and optical cables Bolts, diagonal pliers, straps |
| Special Tools | Anti-static glove, stripping pliers, crimping pliers, crimping pliers for the crystal head, wire cutter |
| Fiber Optic Cleaning Tools | Air-laid paper, optical fiber microscope |
| Meter | Multimeter, bit error rate tester (BERT), optical power meter |

i The tool kit is customer supplied.


3.5 Precaution for Fiber Connection

Before connecting fiber cables, make sure the model of the optical transceiver and fiber type match the optical port. The transmit port on the local device should be connected to the receive port on the peer device and vice versa.

3.6 Unpacking Requirements

Goods Checklist

| | |
|-----------------------|--|
| Chassis Carton | Device panels are installed and operational. Fans, screwdriver, anti-static wrist strap, yellow/green grounding wires, quick installation guide, packing list |
| Module Carton | Modules, packing list, documentation |

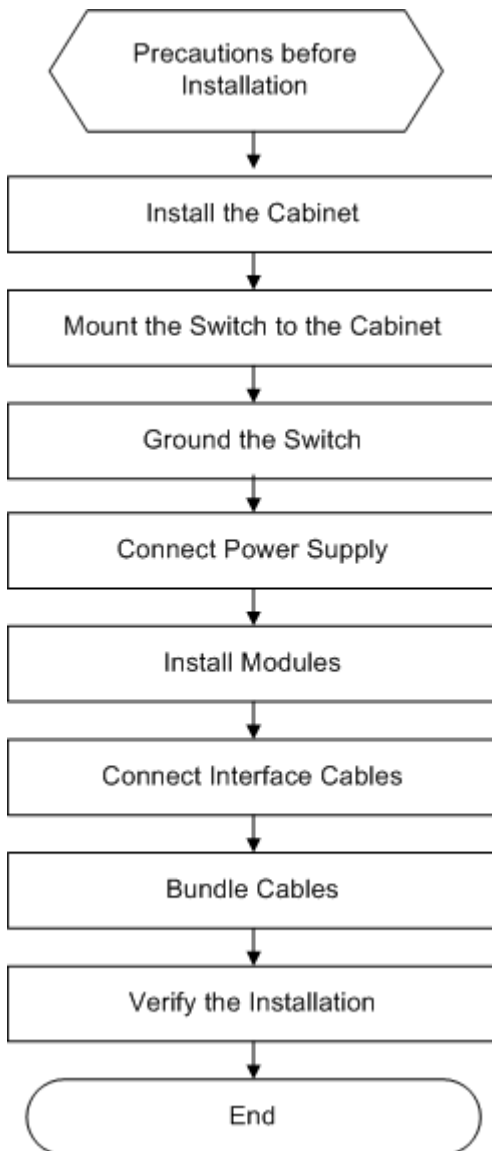
 A normal delivery should contain the above mentioned items, which may differ from the actual delivery, depending on purchase contracts. Please check your goods carefully against the packing list or purchase contract. If you have any questions or there are any errors, please contact your distributor.

4 Product Installation

RG-S7808C series Ethernet switch must be used and fixed in the room.

- i** Make sure you have carefully read part 2 and this part, and be sure that the requirements set forth in part 2 have been met.

4.1 Installation Procedure



4.2 Installation Verification

The RG-S7800C is complicated equipment, so you must carefully plan and arrange the installation location, networking mode, power supply, and wiring before installation. Verify the following before installation:

- The installation location is of a good air flow.
- The installation location meets the temperature and humidity requirements of the equipment.
- The qualified power supply is available at the installation location.
- The related network cables have already been deployed at the installation location.
- The selected power supply meets the system power.

4.3 Installing the Air Filter (Optional)

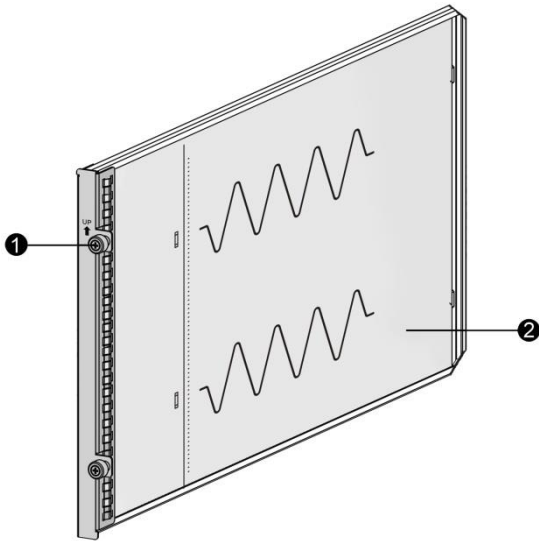
Install air filters of the supervisor module and service module on the RG-S7808C. The air filter is not supported on RG-S7805C.

! If an air filter is used for a long time, dust may block its air vent, weakening system ventilation. It is recommended you wash the air filter every three months.

Installing the Air Filters of the Supervisor Module and Service Module

RG-S7808C

Figure 4-1 Air Filter Location of the Supervisor Module and Service Module on RG-S7808C Switch

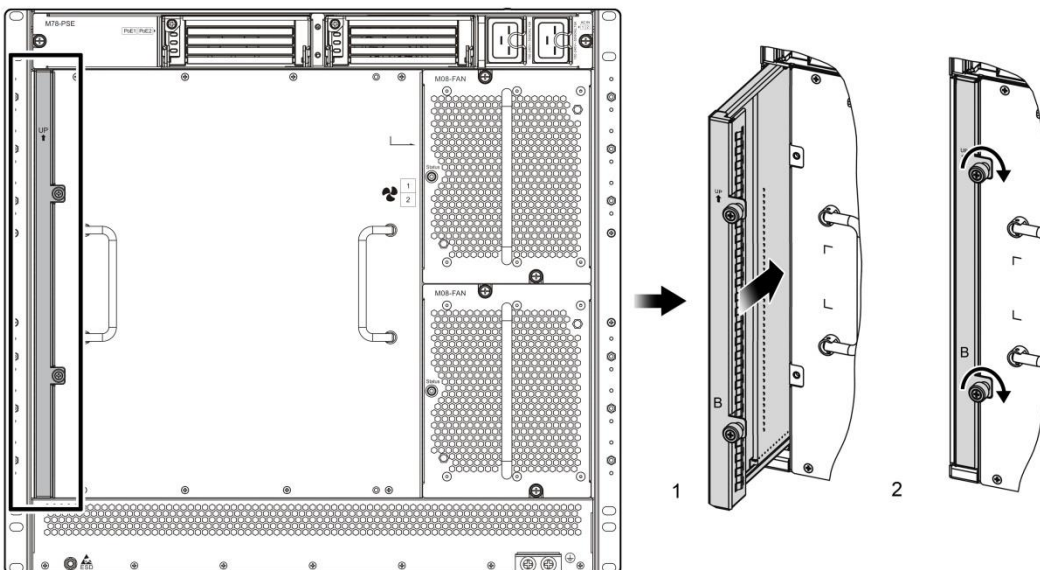


| | | |
|-------|-----------------|--------------|
| Note: | ① Captive screw | ② Air filter |
|-------|-----------------|--------------|

● To install the air filter, follow these steps:

1. Insert the air filter along the slide rail. Note the instruction on the air filter to ensure that the air filter is installed properly.
2. Tighten the captive screws on the air filter with a screwdriver.

Figure 4-2 Installing the Air Filter of the Supervisor Module and Service Module on RG-S7808C Switch



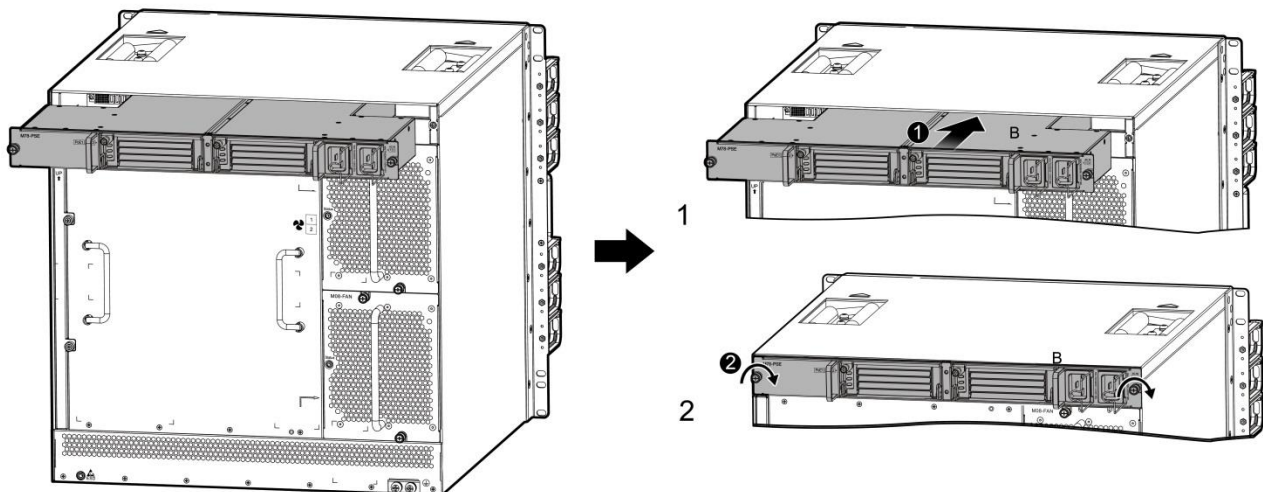
4.4 Installing the PoE Frame(Optional)

Please refer to *M78-PSE* for installing M78-PSE on the RG-S7808C. The PoE frame is not supported on the RG-S7805C.

! If installed modules requiring PoE power supply, such as M7800C-48GT4XS-P-EA, then both PoE frame and PoE power supply are needed.

- Install the PoE frame on the S7808C
 1. Insert the frame into the slot along the rail. Note the direction identifier of the frame to ensure the correct direction.
 2. Tighten the captive screws on the power module to fix it.

Figure 4-3 Installing the PoE frame on the RG-S7808C

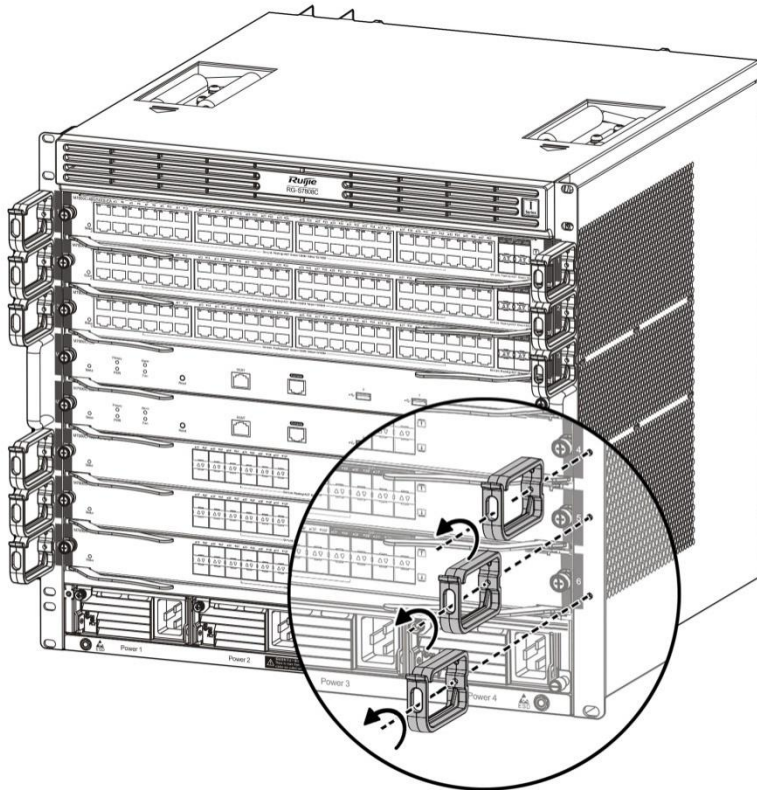


4.5 Mounting Cable Management Brackets

- i** Make sure the antistatic wrist strap is grounded well and wear the antistatic wrist strap.
- i** The RG-S7800C cable management bracket is not mounted before delivery. See the following steps and figures for installation.

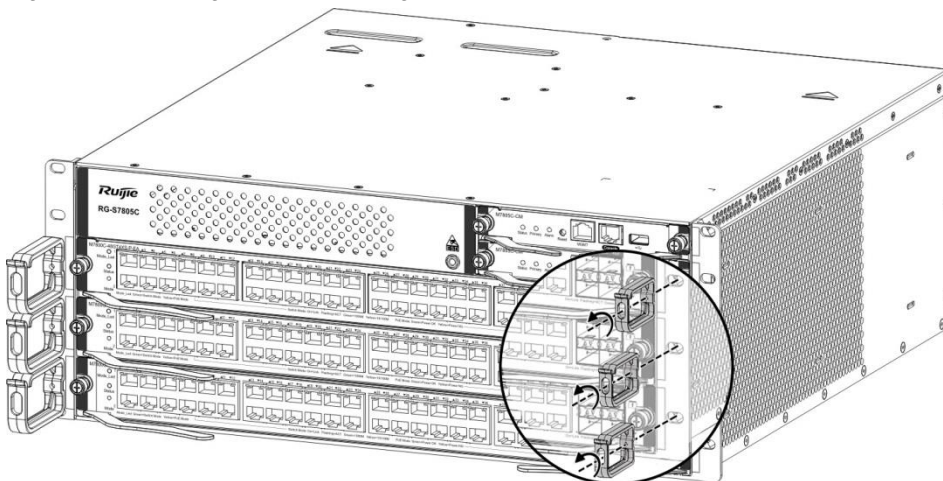
- Mount the cable management bracket for RG-S7808C
 1. Take out cable management brackets.
 2. There three cable management brackets on each side respectively. Pay attention to the direction to mount cable management brackets, as shown in figure 4-4.
 3. Align the screw holes on the cable management bracket with those on the chassis and tighten the screws, as shown in figure 4-4.

Figure 4-4 Mounting the Cable Management Bracket for RG-S7808C



- Mount the cable management bracket for RG-S7805C
1. Take out cable management brackets.
 2. There three cable management brackets on each side respectively. Pay attention to the direction to mount cable management brackets, as shown in figure 4-5.
 3. Align the screw holes on the cable management bracket with those on the chassis and tighten the screws, as shown in figure 4-5.

Figure 4-5 Mounting the Cable Management Bracket for RG-S7805C



4.6 Mounting the Cabinet

Precautions

When you install the cabinet, pay attention to the following:

- All expansion bolts for fastening the cabinet base to the ground should be installed and tightened in sequence from bottom up (large plain washer, spring washer, and nut), and the installation holes on the base and the expansion bolts should be well aligned.
- After the cabinet is installed, it should be stable and still.

- After the cabinet is installed, it should be vertical to the ground.
- When multiple cabinets are put side by side in the room, they should be aligned in a straight line, with an error less than 5 mm.
- The front/back doors of the cabinet should be properly installed. You can open and close them smoothly. The locks should work normally, and all keys should be complete.
- There should be no unnecessary formal labels inside the cabinet and on various boards.
- Blank panels should be installed completely.
- Fastening screws of various devices in the cabinet of the same model should be ready and tightened.
- Various boards of the equipment should be installed securely, and the fastening screws on the panel should be tightened.
- All wiring inlets at the top and bottom of the cabinet should be installed with rodent-resistant nets where the seams should be no more than 1.5 cm in diameter, to prevent rodents and other small animals from entering the cabinet.
- Antistatic wrist straps should be provided in the cabinet.

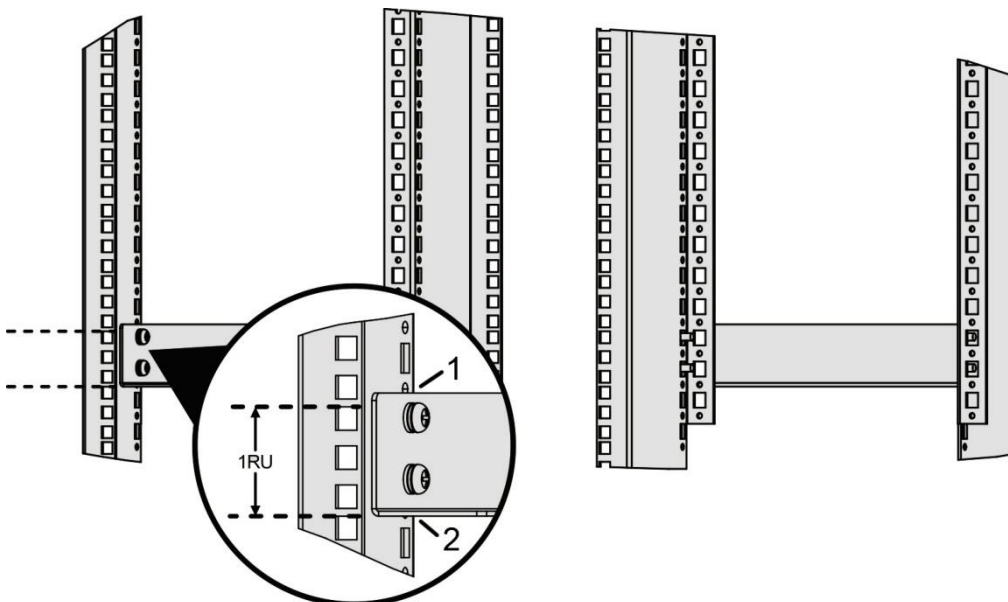
Installation Steps

1. Reserve sufficient space for front and back doors of the cabinet for maintenance.
2. Mount the cabinet at the designed location as planned.
3. Install the appropriate cable management bracket and cables.
4. Install the tray and wiring layer on the rack according to the configuration of one rack with one cabinet installed or one rack with multiple cabinets installed.

Installing Slide Rails

Before installing a slide rail, you need to have some knowledge of standard 19-inch cabinets of IEC60297. The height of standard cabinets is measured in Rack Unit (RU, 1 RU = 44.45 mm (1.75 inch)). 1 RU is equal to the height of three holes (see Figure 4-6). The hole in the middle is an auxiliary installation hole, and the other holes are standard installation holes. Note that the space between neighboring standard installation holes is a little smaller than that between an auxiliary installation hole and its neighboring standard installation hole. When installing a slide rail for the RG-S7808C series, ensure that the plane to carry the chassis should be installed on the plane of delimiters (entire-U delimiter) of the two neighboring RUs as shown in Figure 4-6.

Figure 4-6 Slide Rail



Note: ① and ② representing entire-U delimiters

- ⚠ Before installing a slide rail, make sure that the weight capacity of the slide rail meets requirements.
- ⚠ There are variable kinds of slide rails. The rail appearance and installation is subject to actual conditions.
- ⚠ In order to keep the cabinet balanced, please install the slide rail to as low a position as possible in the cabinet if only one RG-S7800C switch is installed. If you are mounting multiple devices to the cabinet, mount the heaviest device in the lowest position of the cabinet first and proceed to mount the rest of the devices from bottom to top.

! It is recommended to install the power socket after planning on available space properly. Otherwise, there may be problems for operation.

4.7 Mounting the Switch to a Cabinet

Precautions

Before mounting RG-S7800C into the cabinet, first verify that the front and back brackets of the cabinet are at the right locations. If the bracket is too far forward, the front panel of the equipment may be too close to the front door, so that the front door cannot be closed when network cables and pigtail fibers are connected. Usually, you should reserve at least 10mm between the front panel of the equipment and that of the cabinet after installation. Before mounting into a cabinet, you need to address the following conditions:

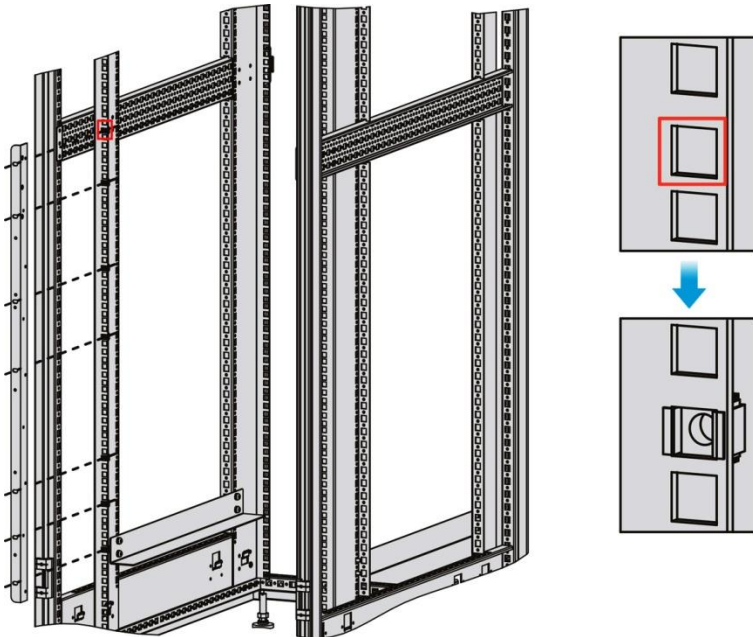
- Fasten the cabinet.
- Insert various modules in the frame properly.
- Remove any obstacle in the frame and the surrounding environment.
- Prepare the equipment and move it to the place near the cabinet where you can handle it easily.

i Three people are recommended to carry or lift the switch. One is responsible for directing and the other two carrying or lifting the switch.

Installation Steps

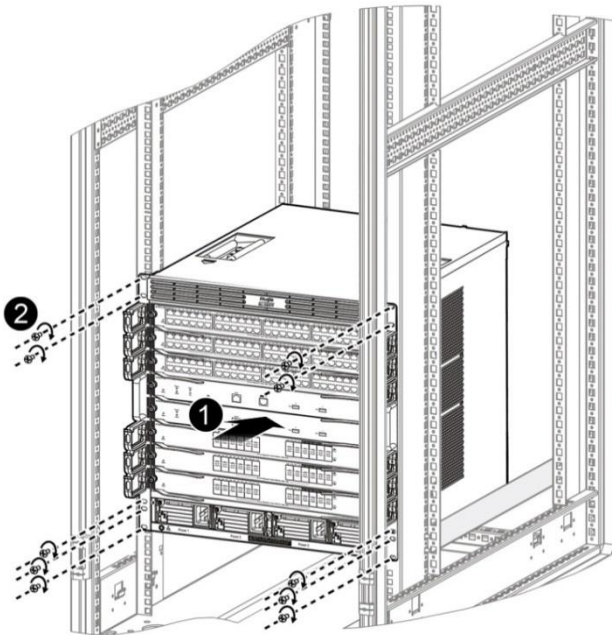
Measure the cabinet height and locate the position on the bracket for installing the slide rail. Then locate the position on the other bracket through the carrying plane and mark the locations. Install seven cage nuts on the marked square holes on each bracket as shown in figure 4-7.

Figure 4-7 Slide Rail Installation Positions



Place the switch on the slide rail, and drive it smoothly into the cabinet until the front bracket reaches the square hole strip. Align the installation holes on the bracket with the cage nuts on the square hole strip, and mount them with screws.

Figure 4-8 Mounting the Switch into the Cabinet



4.8 Connecting the System Ground

i A good grounding system protects your switch against lightning strikes and interferences and ensures its normal operation and reliability.

Precaution

- The sectional area of the grounding wire should be determined according to the possible maximum current. Cables of good conductor should be used.
- Do not use bare wire.
- The grounding resistance for combined grounding should be less than 1Ω .

Connecting the System Ground

To connect the system ground, follow these steps:

1. Remove the two screws on the rear of the switch.
2. Attach the one end of the grounding wire to the switch with the two screws. Connect the other end of the grounding wire to the grounding wire of the cabinet.

Figure 4-9 Grounding Point on the Rear of the RG-S7808C Switch

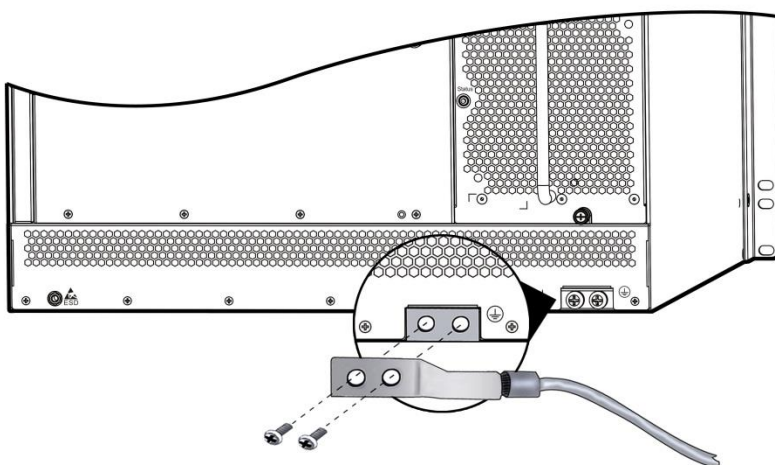
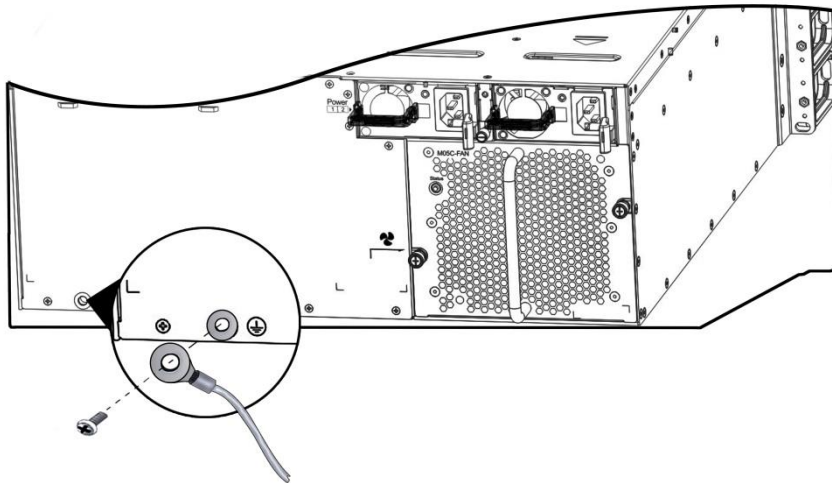


Figure 4-10 Grounding Point on the Rear of the RG-S7808C Switch



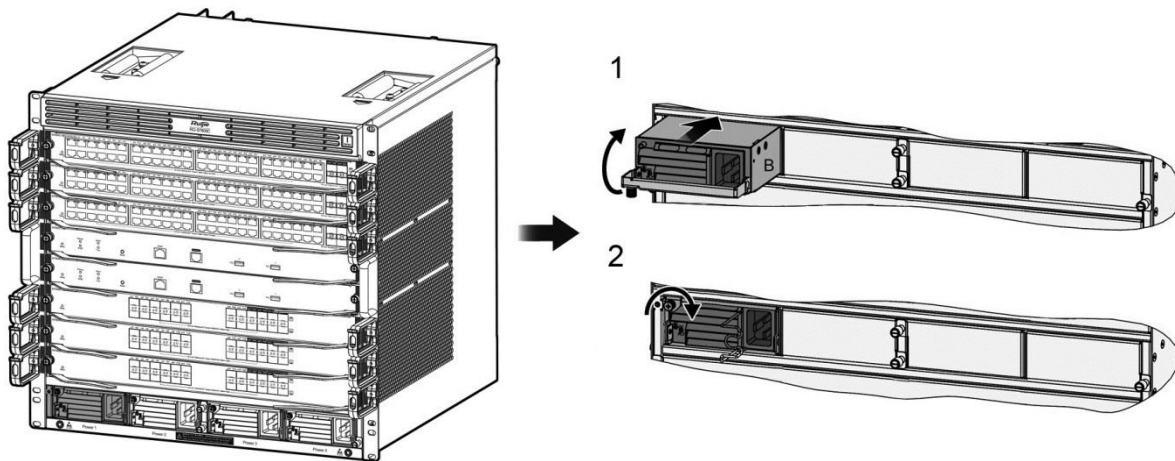
- ⚠ To guarantee the security of the person and the device, the RG-S7800C must be well-grounded. The grounding resistance shall be less than 1Ω .
- ⚠ A service person shall check whether or not the socket-outlet from which the equipment is to be powered provides a connection the building protective earth. If not, the service person shall arrange for the installation of a protective earthing conductor from the separate protective earthing terminal to the protective earth wire in the building.
- ⚠ The socket-outlet shall be installed near the equipment and shall be easily.
- ⚠ When installing the unit, always make the ground connection first and disconnect it last.
- ⚠ The cross-sectional area of protective earthing conductor shall be at least 2.5 mm^2 (12AWG).

4.9 Installing Power Supplies

The RG-S7808C series switches provide two system power supplies: RG-PA1600I-F and RG-PA600I-F AC power supplies, and two PoE power supplies: RG-PA3000I-PL and RG-PA1600I-PL. The RG-S7805C series switches provide two system power supplies: RG-PA300I-F and RG-PA460I-F. Before performing the following procedures, wear an anti-static wrist strap close to your kin and keep it grounded well.

- i The RG-S7808C power system provides four power supply slots, which support 1+1 redundancy. The power system also provides two PoE ports.
 - i The RG-S7805C power system provides two power supply slots, which support 1+1 redundancy.
 - i When RG-S7808C/RG-S7805C is powered up by more than one source, the power must be in the same model.
 - i If you want to carry or lift the power module, please hold the bottom of the module with your hand instead of carrying the module by the handle. Otherwise, the module may be damaged.
 - i Before inserting or removing the power module, please verify whether the switch is well mounted. The switch is high, avoid switch tumble when you are inserting or removing the power module.
 - i If you want to hot swap a power supply, please make sure that the interval between two operation is greater than 30 seconds.
 - i Please do not touch the connecting finger part of the power supply which is removed after power off in case that capacitor discharge is not full.
- Install the AC power module on RG-S7808C
 1. Loosen the captive screws on the filler panel covering the power slot at the rear of the chassis.
 2. Insert the power module into the slot along the rail until the rear connector of the power module stays in good contact with the rear panel.
 3. Tighten the captive screws on the power module to fix it.

Figure 4-11 Installing Power Supplies



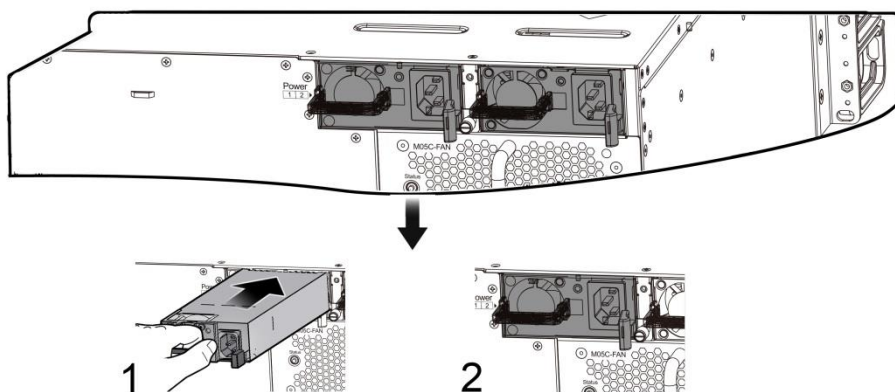
- Install the PoE power system

Take the same installation steps as the AC power installation.

- Install the AC power system on RG-S7805C

1. Loosen the captive screws on the blank panel covering the power slot at the rear of the chassis.
2. Insert the power module into the slot along the rail until the power module clicks into place.

Figure 4-12 Installing AC Power Supplies on RG-S7805C



! The total power of power supplies of the RG-S7800C must be greater than the working power of the host. Otherwise, some modules may fail to start.

i The host power is the summation of the power of all working modules, including the supervisor module, service module and fan. For the power consumption of each module, see the module specifications.

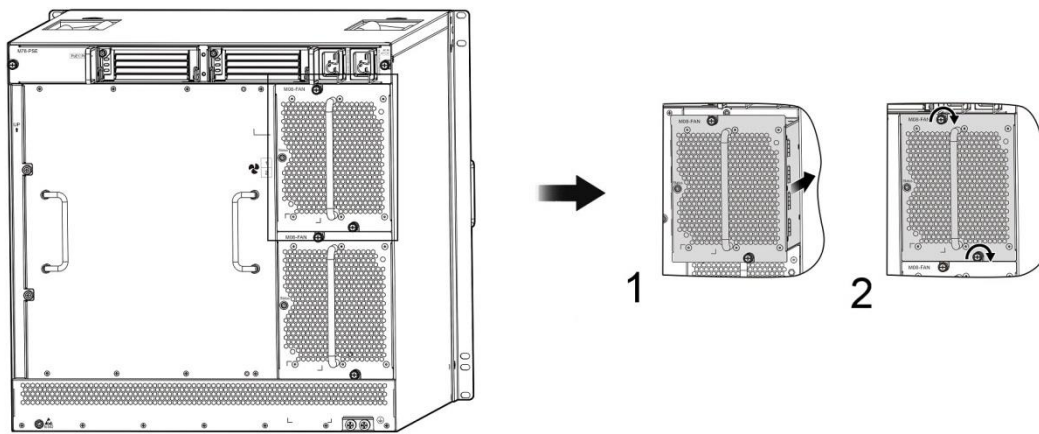
4.10 Installing Fans

RG-S7808C and RG-S7805C adopt M08-FAN and M05C-FAN module for heat dissipation respectively. Before the following procedures, wear an anti-static wrist strap close to your skin and have it properly grounded.

- Steps for installing the M08-FAN fan tray:

1. Install the fan tray into the fan slot in the rear panel of RG-S7808C. Note the direction identifier of the fan tray's name to ensure the correct direction.
2. Tighten the captive screws on the fan tray with a screwdriver.

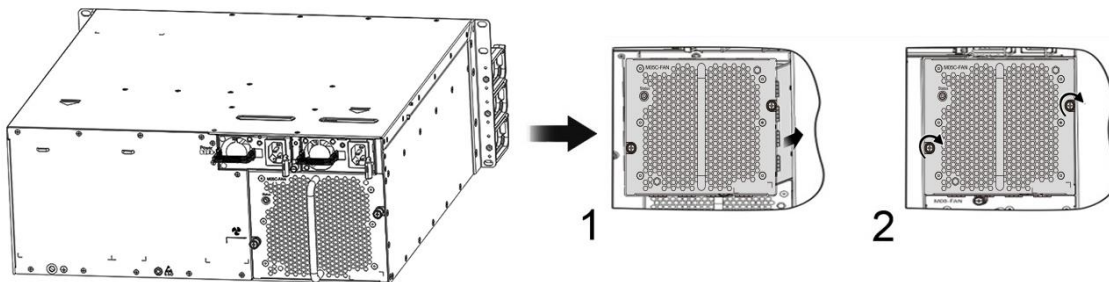
Figure 4-13 Installing M08-FAN Fan Tray



- Steps for installing the M05C-FAN fan tray:

1. Install the fan tray into the fan slot in the rear panel of RG-S7805C. Note the direction identifier of the fan tray's name to ensure the correct direction.
2. Tighten the captive screws on the fan tray with a screwdriver.

Figure 4-14 Installing M05C-FAN Fan Tray



⚠ Do not remove the fan tray forcibly. You can use the fan handle. Otherwise, component damage may occur, which causes deformation of the fan tray, and the fan tray cannot be removed.

4.11 Installing Modules

Always wear an anti-static wrist strap when installing the module and the metallic part of the anti-static wrist strap should be fully touched with the skin. Besides, for the sake of security, please not touch any component of the module.

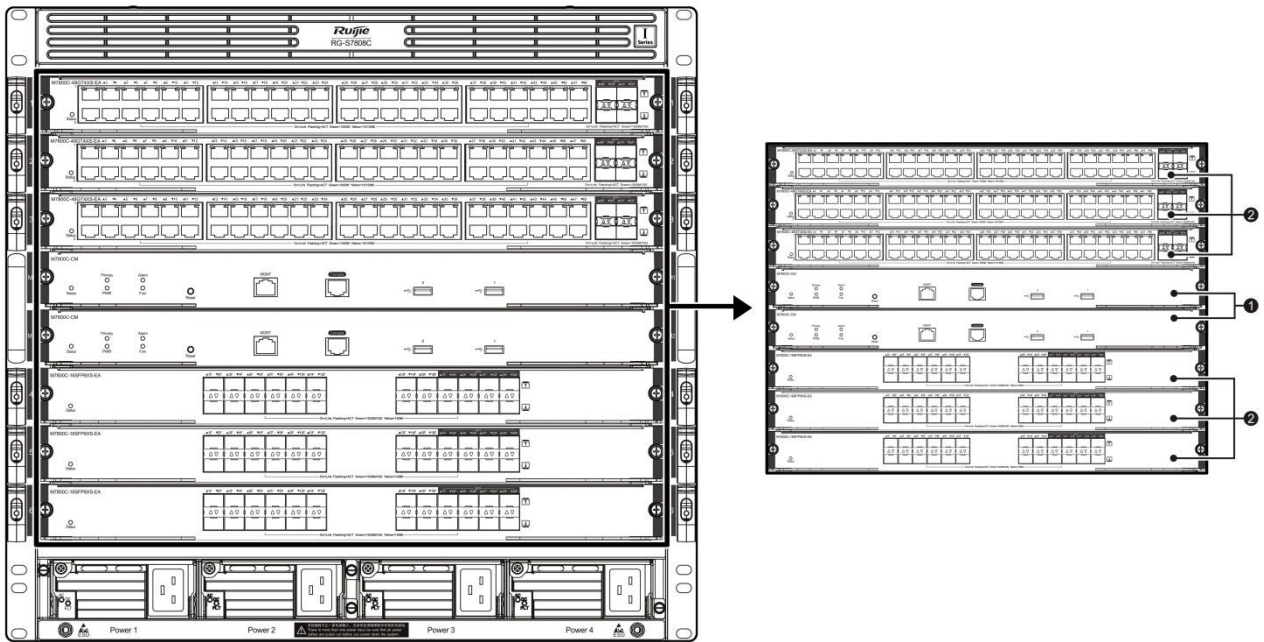
⚠ Do not hold the edge of the PCB or collide the components on the PCB.

⚠ Do not plug/unplug a supervisor module, service module or switch fabric module forcedly, use the ejector.

- Select Slots

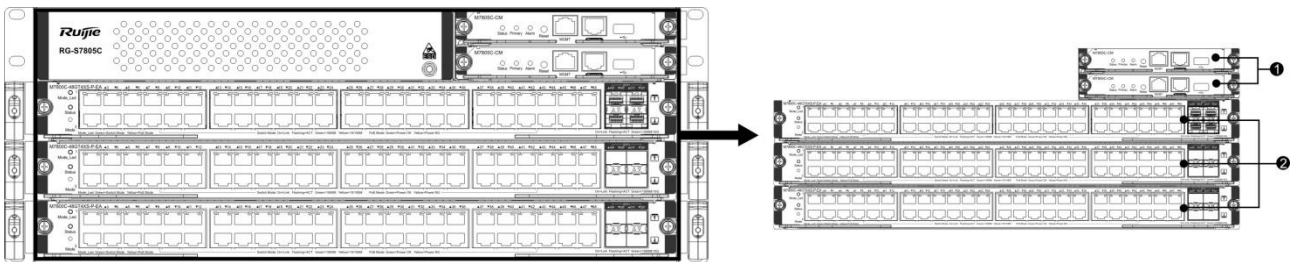
i For the slot location of the supervisor module and service module, please see figure 4-15 and 4-16.

Figure 4-15 RG-S7808C Chassis



Note: ① Supervisor module slot ② Service module slot

Figure 4-16 RG-S7805C Chassis



Note: ① Supervisor module slot ② Service module slot

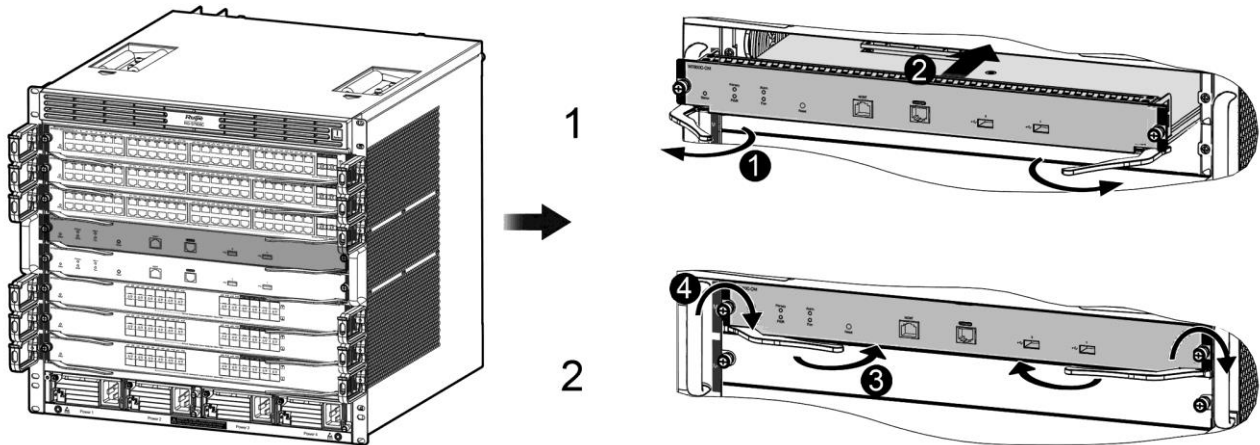
- Install modules

i See the following figure for installing the supervisor module and the service module.

- Steps for installing the RG-S7808C module:

1. Pull out both levers (① in figure 4-17).
2. Insert the module into the slot along the slide rail and drive it ahead smoothly (② in figure 4-17).
3. Push both levers toward the slot (③ in figure 4-17).
4. Tighten the captive screws on the fan tray with a screwdriver (④ in figure 4-17).

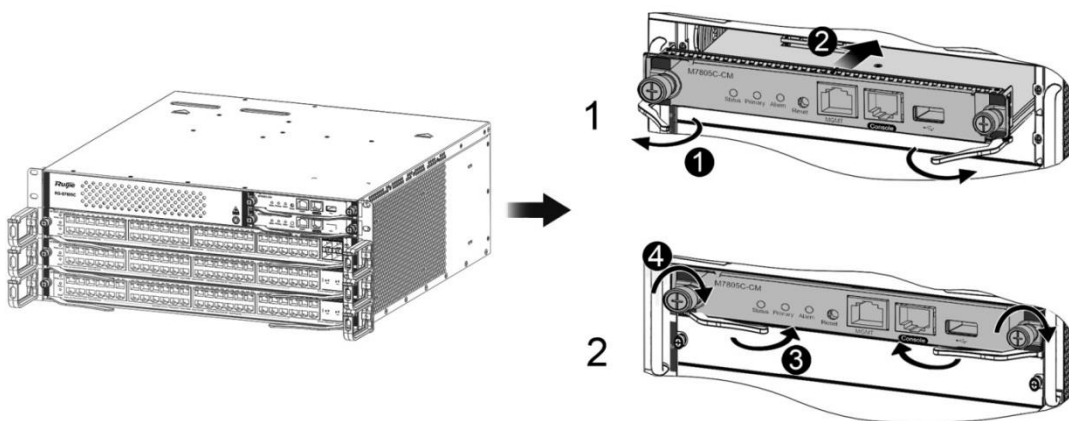
Figure 4-17 Installing the RG-S7808C module



● Steps for installing the RG-S7805C module:

1. Pull out both levers (① in figure 4-18).
2. Insert the module into the slot along the rail and drive it ahead smoothly (② in figure 4-18).
3. Push both levers toward the slot (③ in figure 4-18).
4. Tighten captive screws on both sides of the panel (④ in figure 4-18).

Figure 4-18 Installing the RG-S7805C module



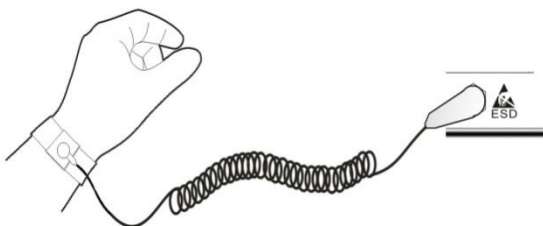
4.12 Installing Swappable Interface Modules (Optional)

⚠ Make sure the optical modules connected to both ends of a fiber are the same type while replacing swappable optical modules.

Preparation

1. Wear an anti-static wrist strap to your wrist and tighten the lock. Make sure it is properly grounded.
2. Take out the SFP+/SFP/QSFP+ module you want to install from packing bag. Do not touch the connecting finger on the module.

Figure 4-19 Wearing an Anti-Static Wrist Strap



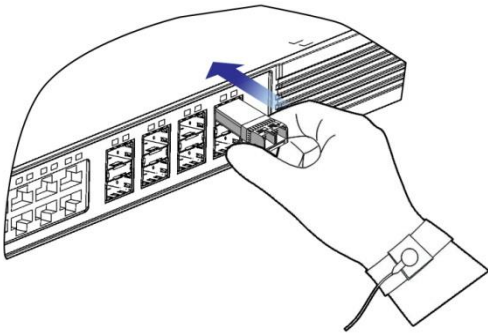
4.12.1 Installing SFP+/SFP Modules

! To avoid damaging components due to operation errors, read this section carefully before installing SFP+/SFP modules.

To install the SFP/SFP+ module, do as follows:

1. Turn up the handle of the module into the top bail-clasp latch. Hold both sides of the module and push the module into place (You can feel that the module is placed in position with a click sound).

Figure 4-20 Installing the SFP/SFP+ Module



2. Use the fiber optical patch cord to connect the SFP/SFP+ module to the fiber optical network. Select the patch cord with the connector corresponding to the port.
3. After the patch cord is connected, the Link/ACT Status LED is on. Otherwise, please check connection of the patch cord.

Precaution

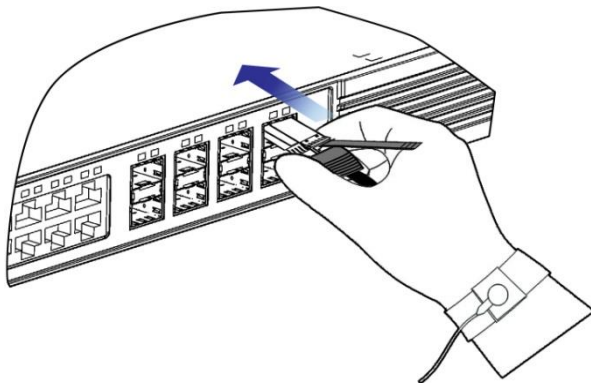
- If the SFP/SFP+ module cannot be inserted to the end, do not push it forcefully. Please try the other end of the module.
- Do not touch the connecting finger on the module.
- Do not squeeze, bend or fold the optical fiber, which may cause system performance degradation or data loss.
- Do not remove the protective rubber plug from SFP+/SFP module before connecting fibers.
- Do not insert the SFP+/SFP module with a fiber into a slot. Unplug the fiber before installing the module.

4.12.2 Installing SFP+ Cables

! To avoid damaging components due to operation errors, read this section carefully before installing SFP+ cables.

1. To install the SFP+ copper module, do as follows: You can install the SFP+ copper module with power on. Hold the connector of a copper cable module with one hand and carry the cable to the front panel of the switch with the other. Push the module gently into the SFP+ module slot until you hear a click, indicating the module is correctly installed.

Figure 4-21 Installing SFP+ Copper Module



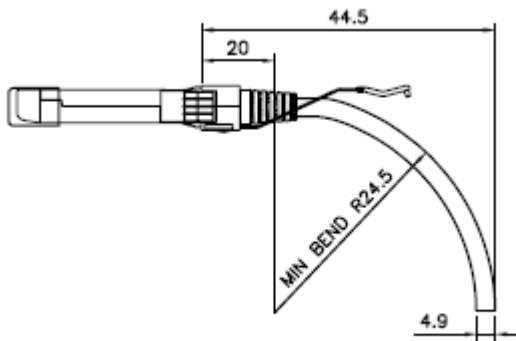
2. After you connect the copper module to the Ethernet network through the connector, the Link/ACT status is on. Otherwise, please check the connector.

Precaution

- If the SFP+ copper module cannot be inserted to the end, do not push it forcefully. Please try the other end of the module.
- Do not touch the connecting finger on the module.
- Do not squeeze, bend or fold the copper cable, which may cause system performance degradation or data loss.

! After the cable is plugged, make sure that the bending radius is greater than 5 times of the cable diameter. Too small bending radius may cause damage to the copper cable. For example, if the cable diameter is 4.9mm, the bending radius should be 24.5mm at least, as shown in figure 4-22:

Figure 4-22 Bending Radius and Cable Diameter



Use an SFP+ cable to connect two SFP+ ports close to each other. Take the following steps to install the SFP+ module:

1. Wear an anti-static wrist strap close to your skin and have it properly grounded.
2. Take out the SFP+ module you want to install from the packing bag.
3. Plug the SFP+ cable to the SFP+ port through the connector. Pay attention to the proper end for connection.

! During the operation, make sure that the cable's bending radius is no less than eight times as much as its diameter.

4.12.3 Installing 40-Gigabit QSFP+ Modules

! To avoid damaging components due to operation errors, read this section carefully before installing 40-Gigabit QSFP+ modules.

Take the following steps to install 40-Gigabit QSFP+ modules:

2. Turn up the handle of the module into the top bail-clasp latch. Hold both sides of the module and push the module into place (You can feel that the module is placed in position with a click sound), as shown in Figure 4-23
3. Push the module gently into the QSFP+ module slot until you hear a click, indicating the module is correctly installed, as shown in Figure 4-23.

Figure 4-23 Installing the QSFP+ Module Equipped with a Bail-Clasp Latch

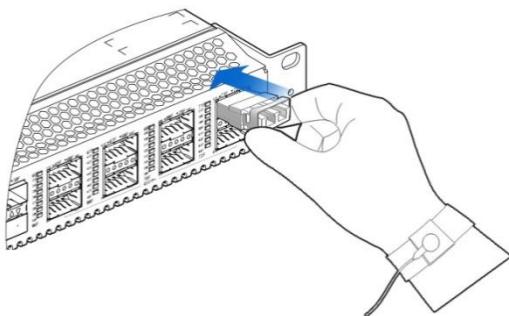
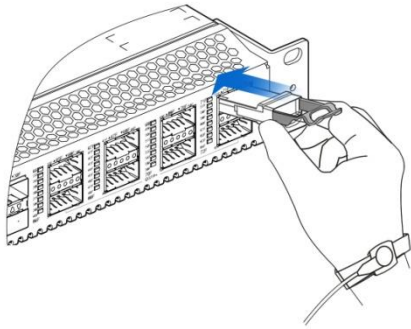


Figure 4-24 Installing the QSFP+ Module Equipped with a Pull Tap



4. Use the fiber optical patch cord to connect the 40G QSFP+ module to the fiber optical network. Select the patch cord with the connector corresponding to the port.
5. After the patch cord is connected, the Link/ACT Status LED is on. Otherwise, please check connection of the patch cord.

Precaution

- Pay attention to the proper end of the QSFP+ module for installation. If the QSFP+ module cannot be inserted to the end, do not push it forcefully. Please try the other end of the module.
- It is recommended that you do not remove the protective rubber plug from QSFP+ module before connecting fibers.
- It is recommended that you do not insert the QSFP+ module with a fiber into the slot. Unplug the fiber before installing the module.
- Do not touch the connecting finger on the module.
- Do not squeeze, bend or fold the optical fiber, which may cause system performance degradation or data loss.

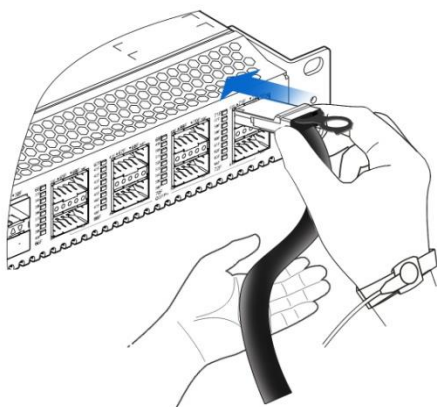
4.12.4 Installing 40-Gigabit QSFP+ Cables

- 1) To avoid damaging components due to operation errors, read this section carefully before installing 40-Gigabit QSFP+ copper cables.

Take the following steps to install 40-Gigabit QSFP+ copper modules:

- 1) You can install the QSFP+ copper module with power on. Hold the connector of a copper cable module with one hand and carry the cable to the front panel of the switch with the other. Push the module gently into the QSFP+ module slot until you hear a click, indicating the module is correctly installed.

Figure 4-25 Installing the QSFP+ Copper Module



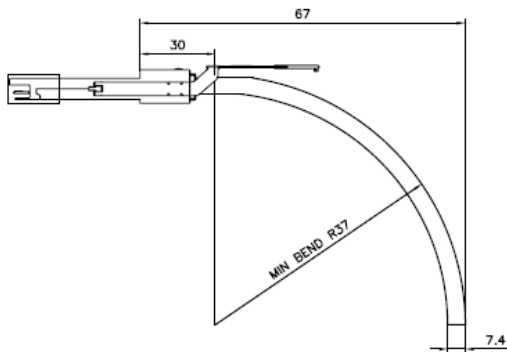
2. After the cable is connected, the Link/ACT Status LED is on. Otherwise, please check the connector.

Precaution

- If the QSFP+ copper module cannot be inserted to hit the back panel, do not push it forcefully. Please try the other end of the module.
- Do not touch the connecting finger on the module.
- Do not squeeze, bend or fold the copper cable, which may cause system performance degradation or data loss.

- 2) After the cable is plugged, make sure that the bending radius is greater than 5 times of the cable diameter. Too small bending radius may cause damage to the copper cable. For example. If the cable diameter is 7.4mm, the bending radius should be 35mm at least, as shown in Figure 4-26:

Figure 4-26 Bending Radius and Cable Diameter



4.13 Connecting the Power Cord

Connect the power cord to the location as required according to the identification on the AC power module panel, including RG-PA1600I-F, RG-PA600I-F, RG-PA300I-F, RG-PA460I-F, RG-PA3000I-PL and RG-PA1600I-PL.

- i Make sure the socket is powered off before the power cord is connected.

- Connect the AC power cord
 1. Insert the AC power plug into the power module socket.
 2. Take out the retention clip.
 3. Install the retention clip on the front panel of the power module
 4. Pull down the retention clip over the plug on the power cable..
 5. Connect the other end of the power cord to an external power socket.

Figure 3-27 Connecting the Power Cord on RG-7808C

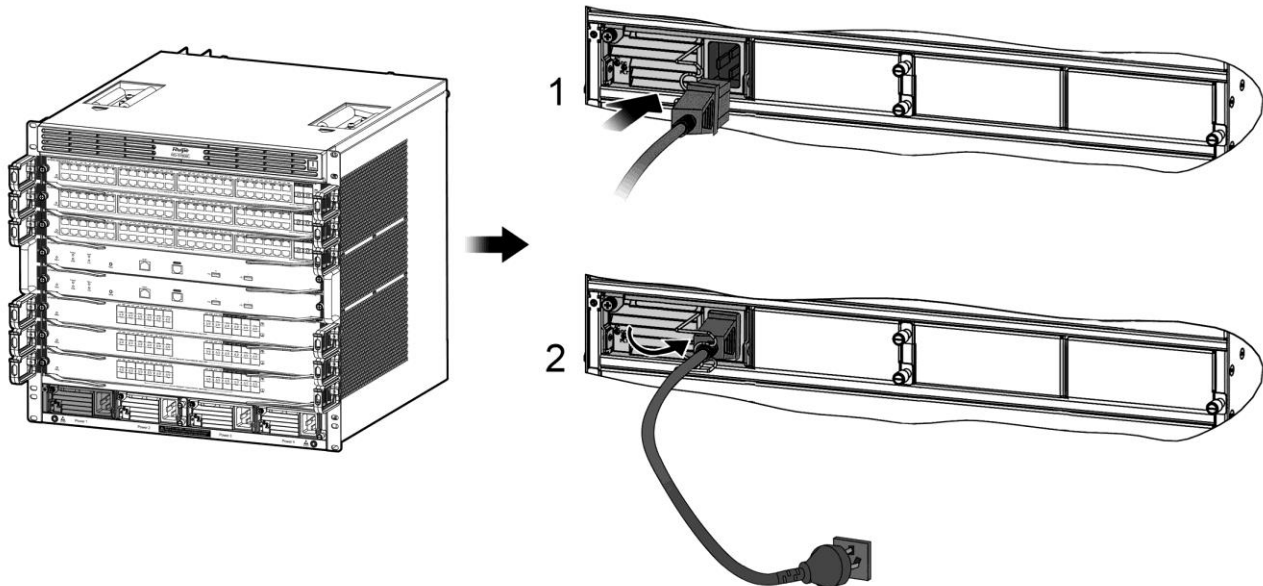
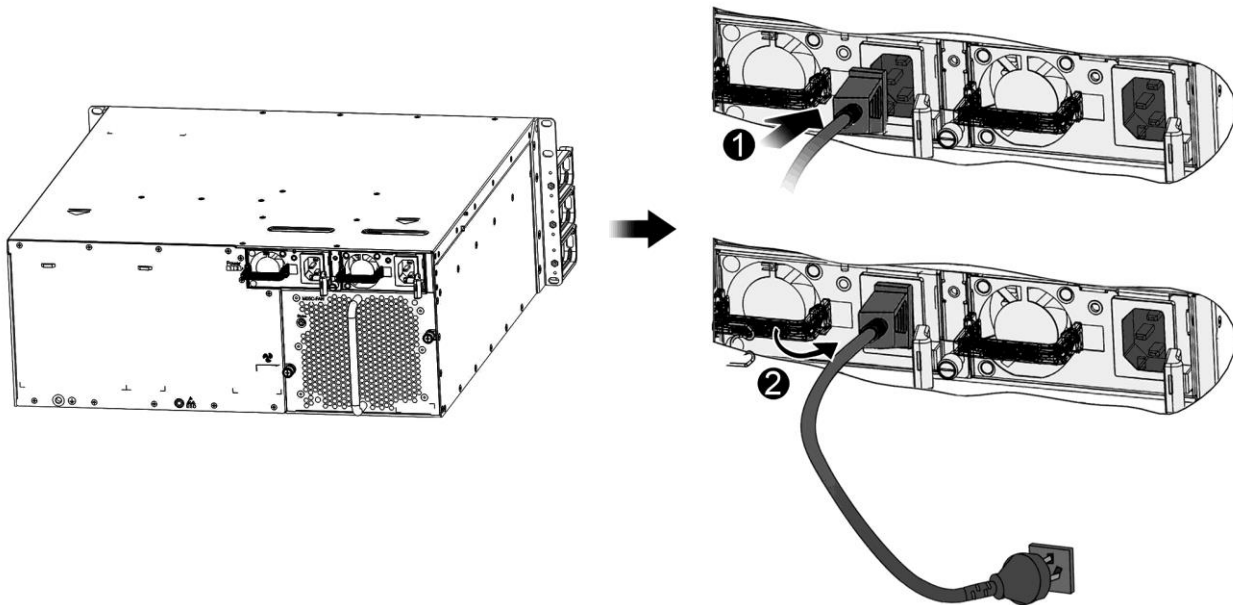


Figure 3-28 Connecting the Power Cord on RG-7805C



- ⚠ Please use the 3-pin power cord. The cross-sectional area of each pin is 1.5 mm² or 14 AWG minimum.
- ⚠ 16A and 10A power cords are available for the RG-S7808C AC power supply. Only 10A power cord is available for the RG-S7805C AC power supply. Adopt the proper socket and verify the AC power supply capacity in the machine room.

4.14 Installation Verification

- Verify if the external power supply matches the distribution panel of the cabinet.
- After installing the equipment, verify if the front/back cabinet doors can be closed.
- Verify that the cabinet has been fastened completely, and does not move or tilt.
- Verify that the equipment has been installed in the cabinet, and all the cables have been fastened to the cabinet.
- Verify that the fan meets the requirement.
- Verify that the power supply is properly selected.
- Verify that the power module is inserted properly and the screws are fastened tightly.
- Please do not power up the switch by yourself and do not perform live-line maintenance.
- Verify that there is no potential danger in the working area, for example, the power supply is not grounded well, or the ground is wet.
- Please do not place the switch at a damp place to prevent the moisture from entering the switch.
- Be sure of the location of the emergency power switch. If an emergency occurs, cut off the power first.
- Verify that all power supplies are turned off if you want to turn off the power.
- Verify that the power cord is connected properly.
- Verify that the power cord is long enough to avoid being stretched.
- Verify that the rated current of the external power socket is greater 16A and that the socket is grounded well.
- Verify that each power module is connected to a power socket.
- Verify that the vacant slot is covered with a filler panel for ventilation and heat dissipation.

5 System Debugging

5.1 Establishing the Configuration Environment

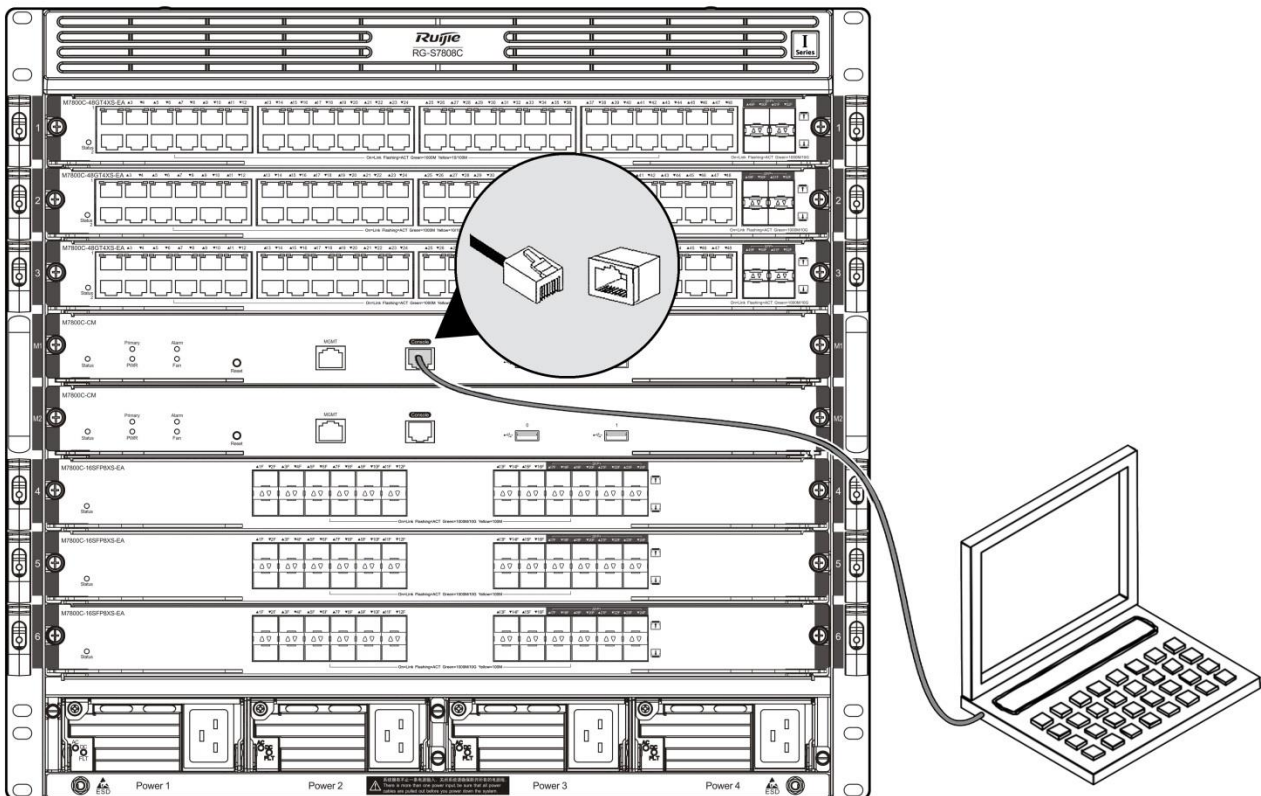
Establishing the Configuration Environment

i If you log in to the switch for the first time, please use the Console port.

Connecting the Console Cable

1. Connect one end of the DB-9 jack of the console cable to the serial port of the PC.
2. Connect one end of the console cable RJ45 to the Console port of the switch.

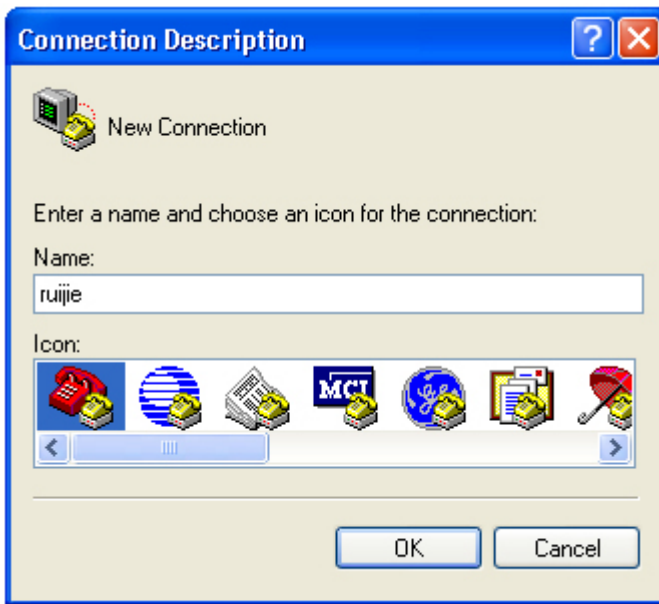
Figure 5-1 Connecting Switch and PC through Console Port



Setting Terminal Parameters

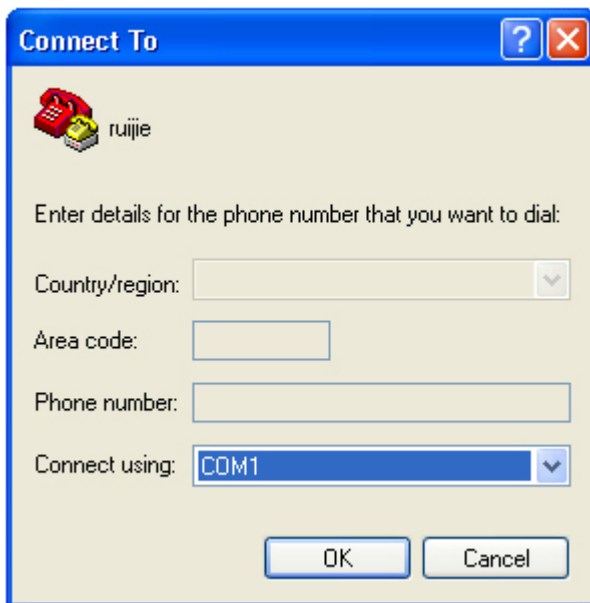
- Start the PC and run the terminal simulation program on the PC, such as Terminal on Windows 3.1 or HyperTerminal on Windows 95/98/NT/2000/XP.
- Set terminal parameters. The parameters are as follows: baud rate 9600, data bit 8, parity check none, stop bit 1, and flow control as none. Details are as follows:
 1. Choose Start > Programs > Accessories > Communications > Hyperterminal. The hyperterminal window appears.
 2. Click Cancel. A window appears as shown in Figure 5-2.

Figure 5-2



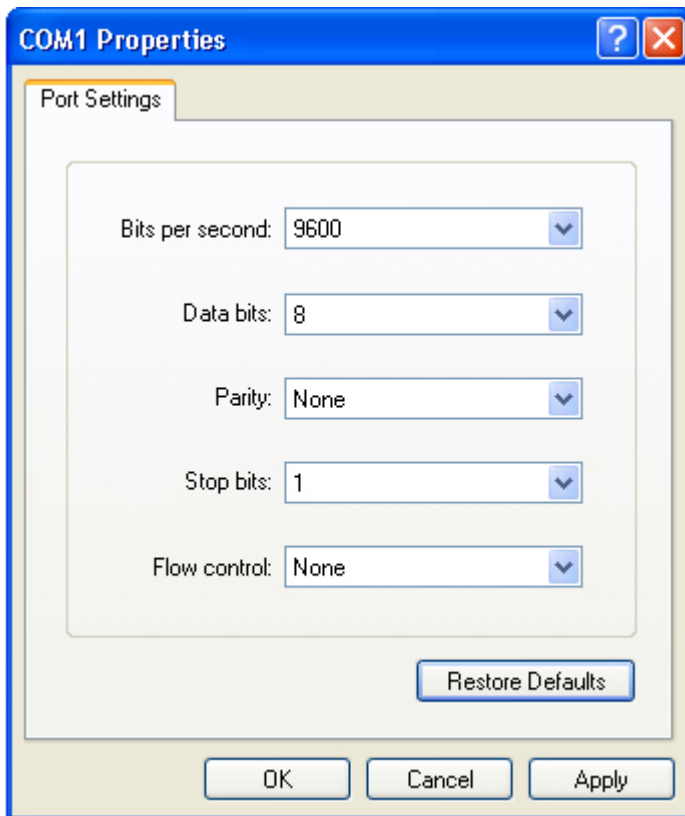
1. In the Connectivity Note window, type the name of the new connection and click OK. A window appears as shown in Figure 5-3. In the Connect Using field, select the serial port you want to use.

Figure 5-3



2. After selecting the serial port, click OK. The Serial Port Parameter Setting window is displayed, as shown in Figure 5-4. Set the baud rate to 9600, data bit to 8, parity check to none, stop bit to 1, and flow control to none.

Figure 5-4



3. After setting the serial port parameters, click OK. The Hyperterminal window appears..

5.2 Power-on Startup

Checking Before Power-on

- The switch is fully grounded.
- The power cable is correctly connected.
- The power supply voltage complies with the requirement of the switch.
- The console cable is correctly connected; the terminal (can be a PC) used for configuration is already started; the parameters are already configured.

Checking After Power-on (Recommended)

After power-on, you are recommended to perform the following checks to ensure the normal operation of follow-up configurations.

- Check that information appears on the terminal interface.
- Check that the device indicator is normal.

6 Monitoring and Maintenance

6.1 RG-S7800C Monitoring

Indicators



When the RG-S7800C is running, you can monitor the status of each module by inspecting the status LED of the appropriate module.

- When the Alarm LED of the master supervisor module is red, it means the system has a fault, in which case you can log in to the management software to perform troubleshooting.
- When the Alarm LED of the master supervisor module is yellow, it means the system temperature exceeds the alarm temperature, affecting the system operation performance. However, the system can continue running. In this case, you can log in to the management software to perform troubleshooting.
- When the Status LED of the fan tray is red, it means that the fan tray is not power-on or the fan tray is faulty, you can log in to the management software to perform troubleshooting.
- When the Status LED of a module is OFF, RED, or blinking, it means that the module is faulty, in which case you need to find out the cause, and turn off the power when necessary.

CLI Commands

The RG-S7800C allows you to monitor various system statuses by executing the appropriate CLI commands, including:

- Module in-position status
- Port configuration information and status
- Fan and power supply working status
- Temperature status

-
-  For the monitoring commands, see RG-S7800C series Software Configuration Guide.
 -  RG-S7800C supports remote maintenance. If RG-S7808C and the Internet are connected, the user can log in to the RG-S7800C via Telnet and maintain RG-S7800C remotely through various monitoring commands.
-



6.2 Hardware Maintenance

Module Maintenance

To replace a module, do replacement according to the instructions provided in Sections of Installing Modules and Removing Modules.

Cooling System Maintenance

- The fan in the equipment is provided with the fault monitoring signals. When the fan fails, an appropriate alarm will occur.
- To replace the fan, first loosen the captive screw on the fan tray.
- Replace the failed fan with a good one.
- Tighten the captive screws of the fan tray.

-
-  Complete fan replacement within 30 seconds when the device is electrified.
 -  The air filter for the RG-S7808C shall be cleaned periodically (generally once every three months) by dry cleaning or washing. Do not rub during the cleaning or washing and flat dry after the cleaning or washing.
-

Power Supply Maintenance

When the power supply fails, you only need to disconnect the power cable, loosen the two panel screws on the power module, unplug the power module, replace it with a good one, and tighten the panel screws, and then connect the power cables.

Replacing Fuses

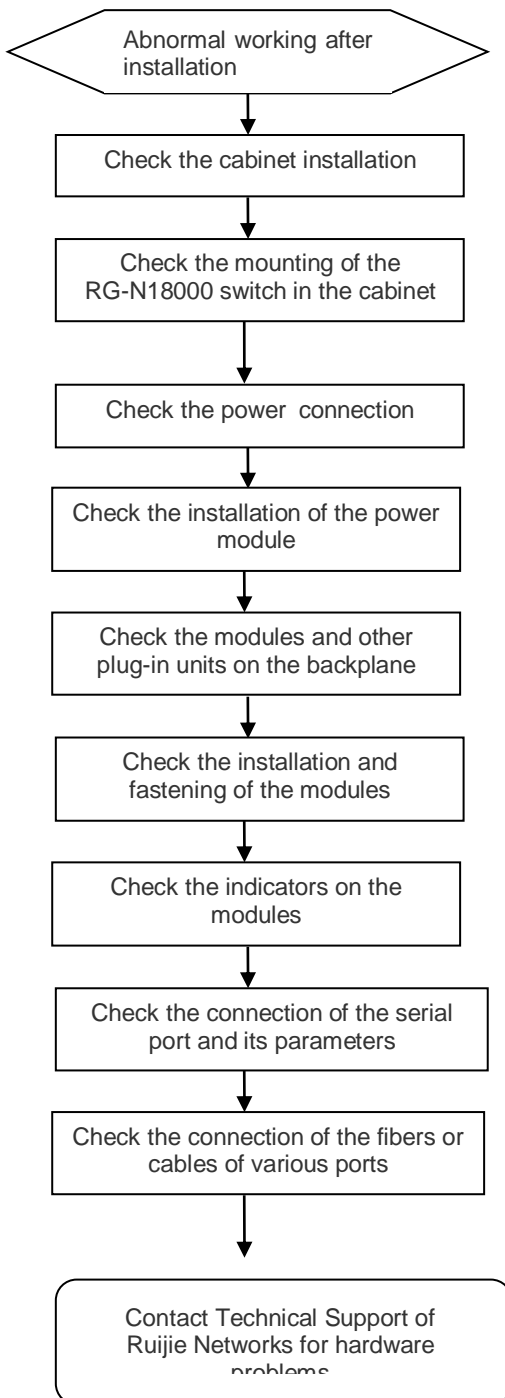
To replace the old fuse wire with the correspondent new one, please contact the technical support representatives of Ruijie Networks. The following table lists the specifications for the module fuses.

| Module | Fuse Slot Number | Fuse Specification |
|--------|------------------|--------------------|
|--------|------------------|--------------------|

| | | |
|-------------------------|----|------------|
| M7800C-CM | F1 | F 15A/65V |
| M7805C-CM | F1 | F 10A/125V |
| M7800C-16SFP8XS-EA | F1 | F 20A/125V |
| M7800C-24SFP/12GT4XS-EA | F1 | F 20A/125V |
| M7800C-36GT12SFP4XS-EA | F1 | F 20A/125V |
| M7800C-48GT4XS-EA | F1 | F 20A/125V |
| M7800C-48GT4XS-P-EA | F1 | F 20A/125V |
| M7800C-48SFP4XS-EA | F1 | F 20A/125V |
| M7800C-24GT24SFP4XS-EA | F1 | F 20A/125V |
| M08-FAN | F1 | F 15A/65V |

7 Troubleshooting

7.1 General Installation Troubleshooting Flow



7.2 Common Troubleshooting Procedures

Fault 1: The AC power module does not work.

Fault Description:

The Status LED of each service module is OFF, the Power LED of the fan tray is OFF, and the fan does not work. The LED on the panel of the power module is OFF. The fan does not work.

Troubleshooting:

First place the switches of all the power modules to OFF. Check if the cables of the cabinet have been correctly connected. Check whether the power cables are tightly connected to the cabinet power sockets and power modules. Check whether the power modules are installed correctly. If necessary, pull out the power modules and check whether the connectors on the backboard of the power system are tightened.

Fault 2: An exception occurs to the LEDs when service modules are powered on.

Fault Description:

The Status LED of the service module is OFF, blinking, or RED. The Link/ACT LED of the service module is solid ON when no network cable or fiber is plugged.

Troubleshooting:

Check if the service module is firmly inserted. If so, install the service module again and ensure that it is inserted into place before you tighten the fastening screws. If the service module still does not work, check if the connector of the slot on the backplane is loose. If yes, insert the service module to another slot for a try. If the slot and connection are not the cause, return the service module for repair.

Fault 3: The LED is abnormal after a service module works for some time.

Fault Description:

The Status LED of the service module is OFF or RED. The Link/ACT LED of the service module is solid ON when no network cable or fiber is plugged. The fault remains after restart.

Troubleshooting:

Check if the service module gets loose. If so, install the service module again and ensure that it is inserted into place before you tighten the fastening screws. If the module still does not work, check if the connector of the slot on the backplane is loose and check if the slide rail of the slot is deformed. If so, insert the service module to another slot for a try. If the slot and connection are not the cause, return the service module for repair.

Fault 4: The LED of the supervisor module is abnormal.

Fault Description:

The LED of the supervisor module becomes abnormal after the supervisor module is powered on or works for some time. For example, the Status LED is blinking or OFF, and the Alarm LED is red.

Troubleshooting:

Check if the supervisor module gets loose. If so, install the supervisor module again and ensure that it is inserted into place, before you tighten the fastening screws. If the supervisor module still does not work, check if the connector of the slot on the backplane is loose and check if the slide rail of the slot is deformed. If yes, insert the module to another slot for a try. If the slot and connection are not the cause, return the supervisor module for repair.

When the Alarm LED is red, the cause may be the fault of another module in the system, in which case you can check other modules (for example, service module, fan, power, and overheating) for any alarm. If yes, you should first handle the faults of other modules. You can also identify the faults by logging in to the management software.

Fault 5: The fan tray does not work or the LED is abnormal.

Fault Description:

After the system starts, the fans in the fan tray do not work or the status LED is OFF.

Troubleshooting:

Check if the connection between the fan tray and the backplane is secure and if the connector gets loose. If the connection is secure, you need to replace the fan tray.

Fault 6: The serial port console has no output.

Fault Description:

After the system is started, the serial port console does not display any information.

Troubleshooting:

Check whether serial port cables are connected correctly and whether the connected serial port is identical with that configured on the super terminal. Check whether the configuration of the serial port on the super terminal is the same as

that described in *RG-S7800C Software Configuration Guide*. If not, modify the serial port configuration parameters. If there is still no serial port printed information, please contact Ruijie Customer Service Department for technical support.

Fault 7: The serial port console outputs illegible characters.

Fault Description:

The serial port console outputs illegible characters.

Troubleshooting:

Such problem is related to the settings of the serial port. Check if the settings of such parameters as the baud rate match those in *RG-S7808C series Software Configuration Guide*.

Fault 8: The newly-inserted service module fails to be powered on.

Fault Description:

The system is running, yet all LEDs on the panel of the newly-inserted service modules are OFF, and the port is faulty.

Troubleshooting:

Check whether the service module is connected correctly and whether the summary power of the newly-inserted service module and other modules in the system exceeds the maximum power. If so, please add more power modules to provide the enough power for the power supply. If all checkings are OK, but the newly-inserted service module still cannot be powered on, please contact Ruijie Customer Service Department for technical support.

Fault 9: The link cannot be set up between fiber interfaces

Fault Description:

The system runs normally. After the fiber interface is inserted into the optical module and the optical fiber is properly connected, the link cannot be set up.

Troubleshooting:

First confirm whether the interface is a copper/fiber combo interface. If yes, it should be configured in fiber mode. Then, do as follows:

1. Check whether the receiving and sending ends are wrongly connected. The sending end of the fiber interface needs to be connected to the receiving end of the other fiber interface. You can check by changing the sequence in which the two optical fibers are connected on the optical module.
2. Check whether the optical module wavelength of the two sides are consistent. For example, an optical module of 1310nm wavelength cannot be connected to an optical module of 1550nm wavelength.
3. Check whether the distance between the two sides exceeds the length indicated on the optical module.
4. Check whether the rates of the two sides match and whether the optical fiber type meets requirements. In addition, for ports supporting different rates, check whether rate modes are configured correctly.

 If above mentioned methods do not take effect, please contact Ruijie Networks for technology assistance.

8 Replacing Modules

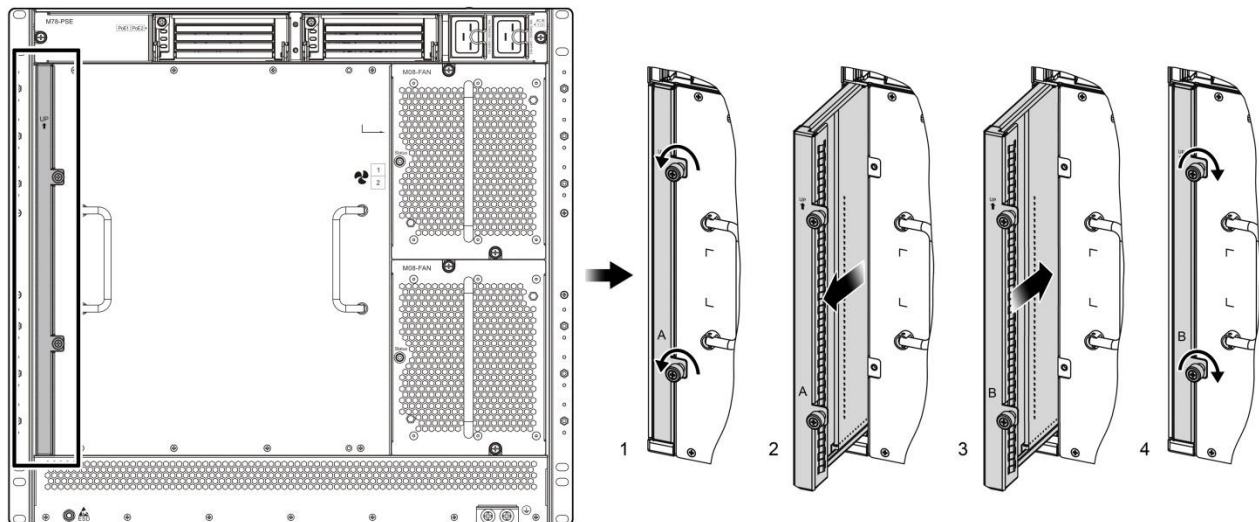
8.1 Removing, Cleaning and Installing Air Filter

! After the air filter is used for a long time, the dust may block the holes on the air filter, affecting heat dissipation and ventilation. It is recommended that the air filter be cleaned every three months.

8.1.1 Removing, Cleaning and Installing Air Filters for Supervisor and Service Modules

- Install the air filter of RG-S7808C supervisor and service modules:
 1. Insert the air filter along the slide rail. Pay attention to the direction instruction on the air filter.
 2. Tighten the screws on the air filter with a screwdriver.
- Remove the air filter of RG-S7808C supervisor and service modules:
 1. Loosen the captive screws on the air filter.
 2. Remove the air filter.

Figure 8-1 Installing and Removing the Air Filter of RG-S7808C Supervisor and Service Modules



| | | |
|------|------------------------------|--------------------------------|
| Note | A: Air filters to be removed | B: Air filters to be installed |
|------|------------------------------|--------------------------------|

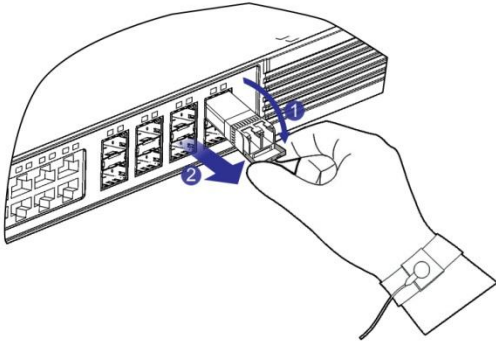
8.2 Removing Swappable Interface Modules (Optional)

8.2.1 Removing SFP+/SFP Modules

Take the following steps to remove SFP/SFP+ modules:

1. Unplug the optical fiber.
2. Turn down the handle of the module until it is horizontal. Pull the tab to take out the SFP/SFP+ module, as shown in figure 8-2.

Figure 8-2 Removing the SFP/SFP+ Module



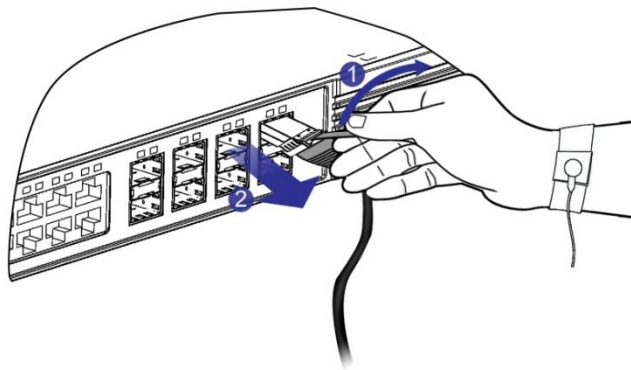
Precaution

- Unplug the optical fiber before removing the module.
- Do not pull out the module forcefully without turning down the handle of the module.
- Immediately install the dust plug to the module port and the switch fiber port.

8.2.2 Removing SFP+ Cables

Pull the tap out and unlock the module. Take out the SFP+ module gently, as shown in Figure 8-3:

Figure 8-3 Removing the SFP+ Cable



Precaution

- Pull the tab out before unplugging the cables. Otherwise, the module or the slot can be damaged.
- Immediately install the dust plug to the module port and the switch fiber port.

8.2.3 Removing 40-Gigabit QSFP+ Modules

- 1) Unplug the optical fiber.
- 2) If you want to remove the module equipped with a bail-clasp latch, turn down the handle of the module until it is horizontal and pull the bail-clasp latch to take out the QSFP+ module, as shown in Figure 8-. If you want to remove the module equipped with a pull tap, pull the tap to take out the QSFP+ module gently, as shown in Figure 8-4:

Figure 8-4 Removing the QSFP+ Module Equipped with a Bail-claps Latch

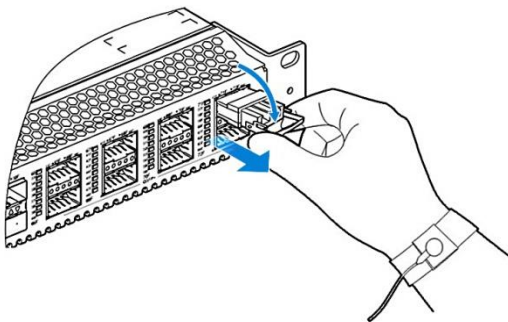
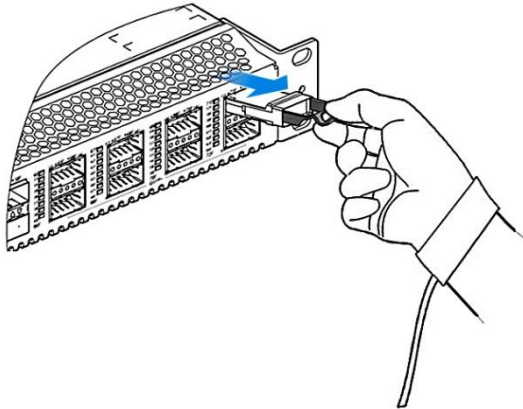


Figure 8-5 Removing the QSFP+ Module Equipped with a Pull Tap



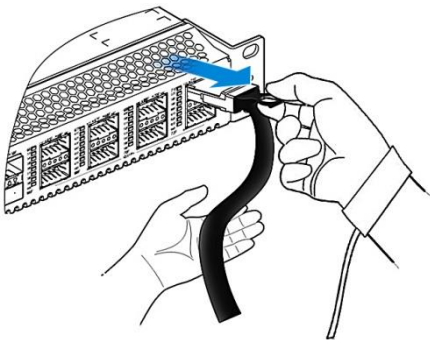
Precaution

- Unplug the optical fiber before removing the module.
- Do not pull out the module forcefully without turning down the handle of the module.
- Immediately install the dust plug to the module port and the switch fiber port.

8.2.4 Removing 40-Gigabit QSFP+ Cables

Hold the cable with one hand and pull the tap to take out the module gently, as shown in Figure 8-6:

Figure 8-6 Removing the QSFP+ Cable



Precaution

- Pull the tap out before unplugging the cables. Otherwise, the module or the slot can be damaged.
- Immediately install the dust plug to the module port and the switch fiber port.

8.3 Replacing Modules

Preparation

1. Wear an anti-static wrist strap close to your skin and have it properly grounded.
2. Take out the module from the package.

Take the following steps to replace the module:

1. Unplug all cables/fibers such as fibers and RJ45 twisted pairs from the panel.
2. Hold down self-locking lever buttons on both sides of the panel and pull out the lever.
3. Drag the lever to pull the module out. Before the module is about to be removed from the chassis, support the bottom of the module with one hand and hold the module with the other hand, so as to prevent the module from falling.
4. Pull out the levers on both sides of the module. Support the bottom of the module with one hand and hold the module with the other hand to insert the module into the slot along the rail.
5. Drive the levers close to the module, and the module will hit the back panel. The module will be fastened after self-locking of levers.

Figure 8-7 Replacing the Module (for RG-S7808C)

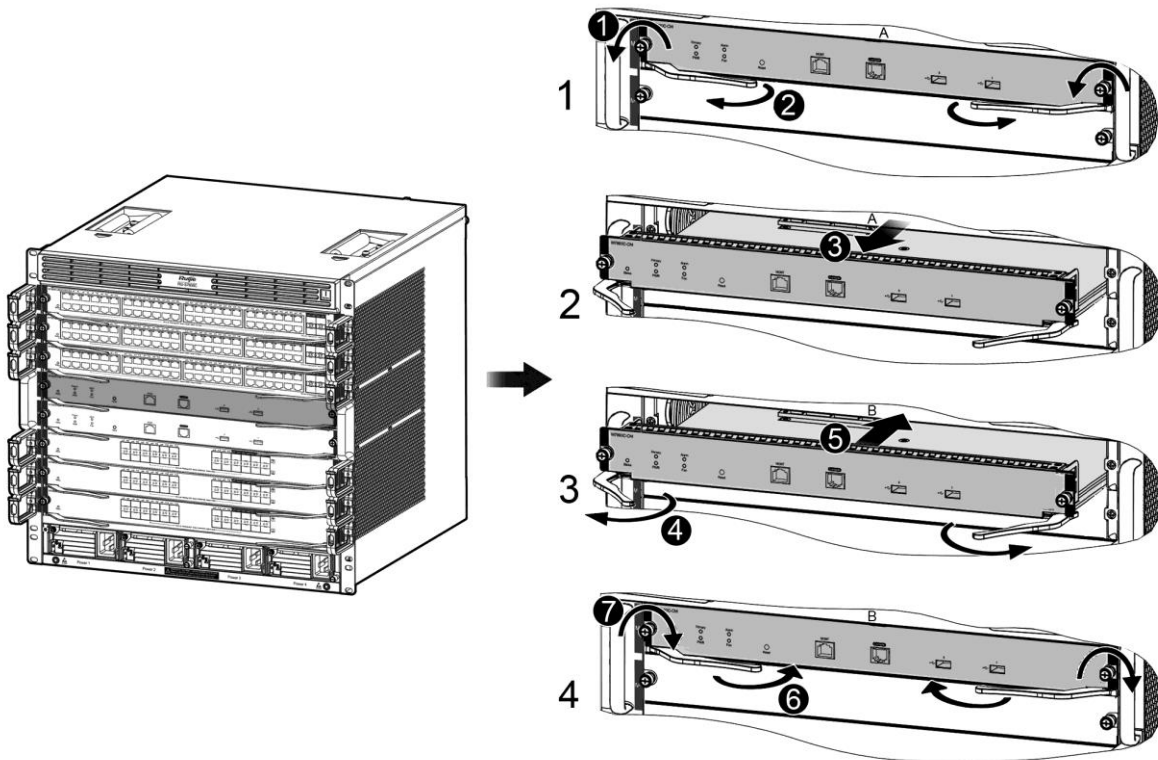
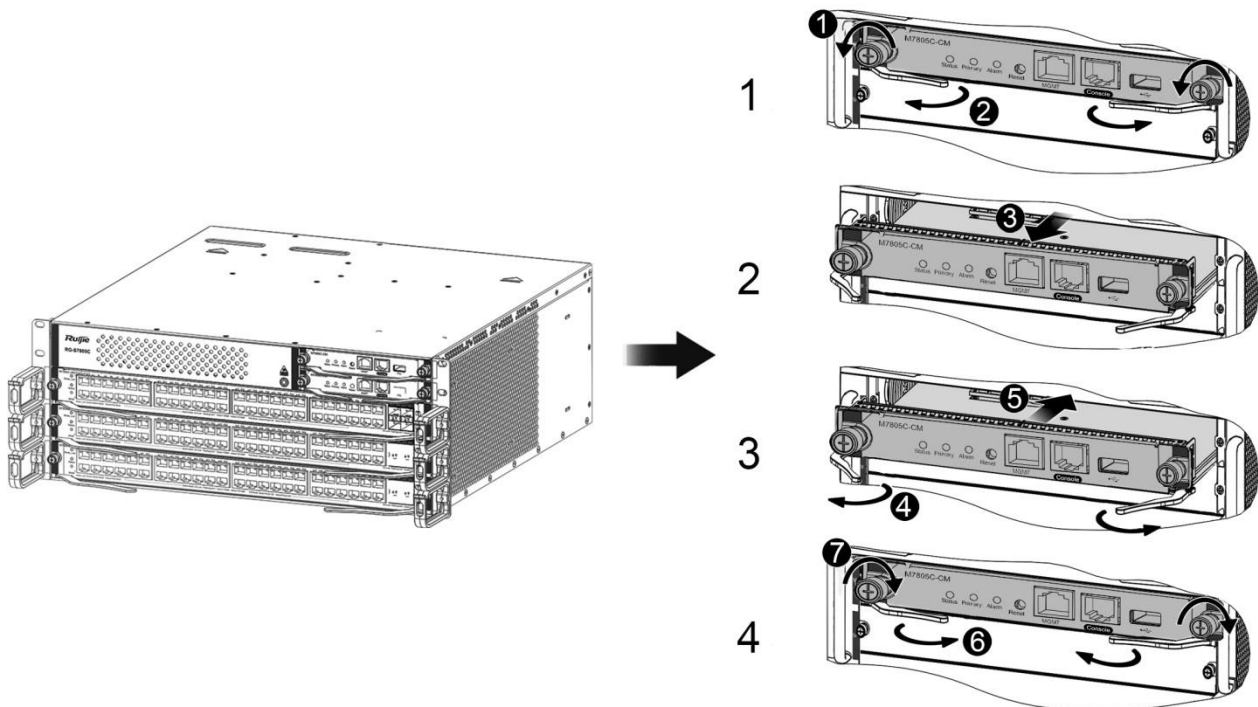


Figure 8-8 Replacing the Module (for RG-S7805C)



- ⚠ In order to ensure the reliability of the system ventilation and heat dissipation performance and address the requirement of the dust-filter, filler panel needs to be installed in the slot where no supervisor module or service module has been installed.
- ⚠ If you want to remove the module when the device is electrified, you need to insert the new module or install the filler panel within 10 minutes.
- ⚠ Do not hold the edge of the PCB or collide the components on the PCB
- ⚠ Do not plug/unplug a supervisor module or service module forcedly, use the ejector.

8.4 Removing Power Modules

Preparation

1. Wear an anti-static wrist strap close to your skin and have it properly grounded.
2. Take out the power module from the package.
3. Please power off the module before removing it.



After hot swapping a module, please wait for at least 30 seconds for the next operation.



Before inserting or removing the power module, please verify whether the switch is well mounted. Prevent the switch from tumbling down when you are inserting or removing the power module.

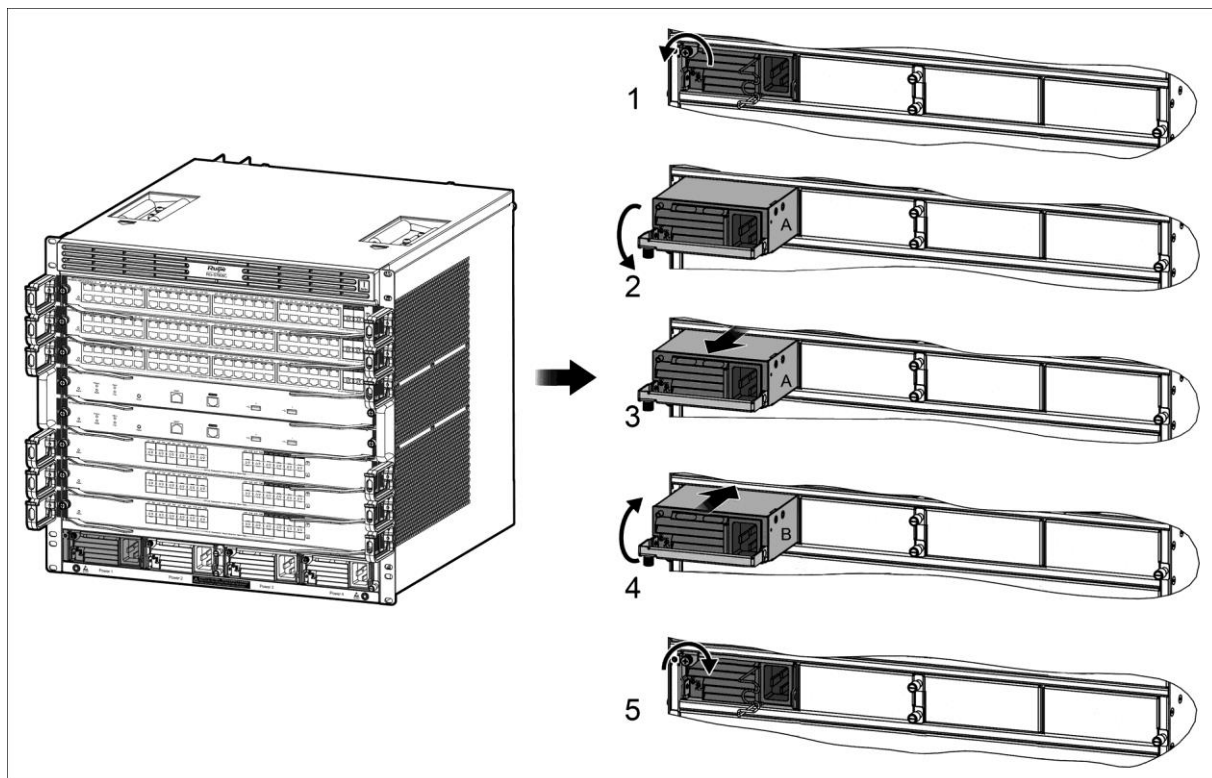


Do not touch the connecting finger on the power module which has been removed to avoid being electrocuted in case of incomplete discharge.

Take the following steps to remove the power module on RG-S7808C:

1. Unplug the cable. Separate the pigtail plug of the cable from the connector of the power module.
2. Unloosen the captive screws on the power module with the screwdriver.
3. Pull out the handle to make it vertical from the power panel.
4. Drag the power module panel with one hand and support the bottom of the power module with the other hand to pull out the power module.
5. Insert the power module into the slot until it hits the back panel.
6. Drive the handle close to the panel.
7. Tighten the captive screws on the panel with the screwdriver.

Figure 8-9 Removing the Power Module on RG-S7808C



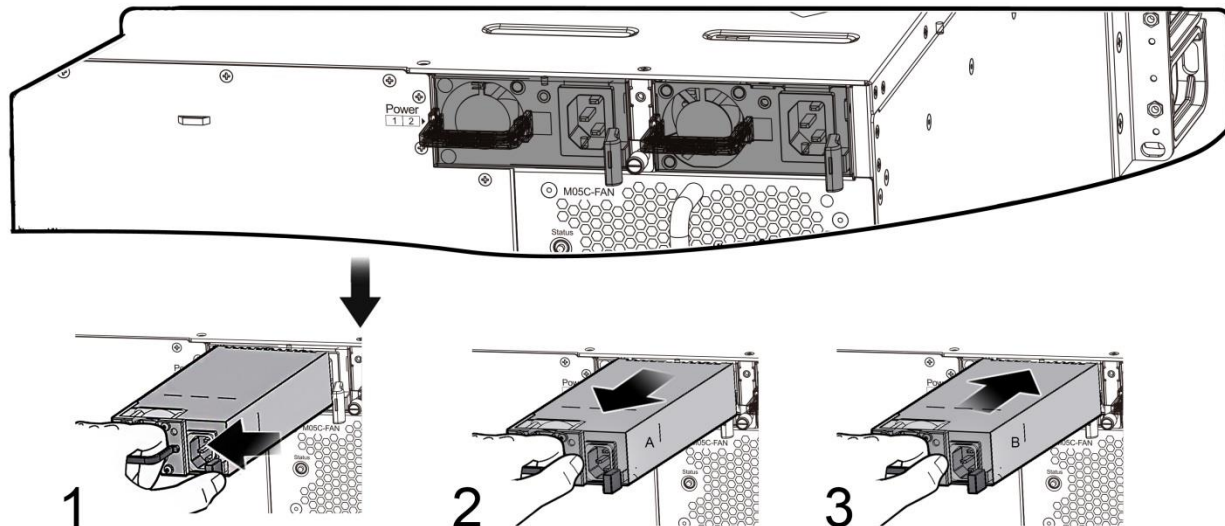
Note: A: Power modules to be removed

B: Power module to be installed

Take the following steps to remove the power module on RG-S7805C:

1. Unplug the cable. Separate the pigtail plug of the cable from the connector of the power module.
2. Press the clip and pull out the power module.
3. Drag the power module panel with one hand and support the bottom of the power module with the other hand to pull out the power module.
4. Insert the power module into the slot until it clicks into place.

Figure 8-10 Removing the Power Module on RG-S7805C



| | | |
|-------|--------------------------------|---------------------------------|
| Note: | A: Power modules to be removed | B: Power module to be installed |
|-------|--------------------------------|---------------------------------|

8.5 Removing Fans

- ⚠ Do not touch any bare wire, terminal or the power instruction on the switch.
- ⚠ The fan tray supports hot swapping, If you want to remove the fan tray when the switch is operational, do not remove the fan tray until the fan stops rotating, Besides, do not put your hands inside the fan tray.
- ⚠ If you remove the fan tray when the switch is operational, install another fan tray quickly to ensure normal operation of the switch and avoid damage to the switch.

Preparation

1. Wear an anti-static wrist strap close to your skin and have it properly grounded.
2. Take out the fan module from the package.

Take the following steps to remove the fan module:

1. Unloosen the captive screws on the fan tray with the Phillips screwdriver.
2. Pull out the fan tray and put it in the anti-static bag.
3. Insert the fan tray into the slot along the slide rail until the fan tray hits the back panel.
4. Tighten the captive screws on the fan tray with the Phillips screwdriver.

Figure 8-11 Removing the Fan for RG-S7808C

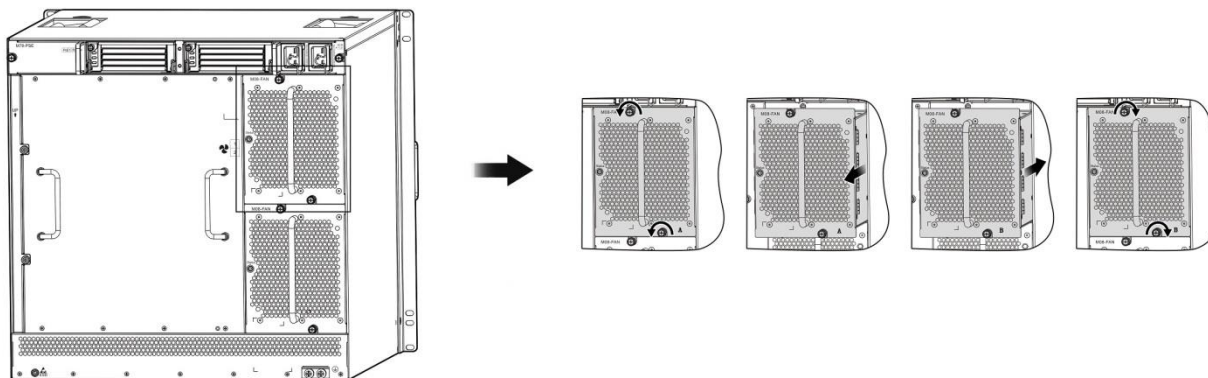
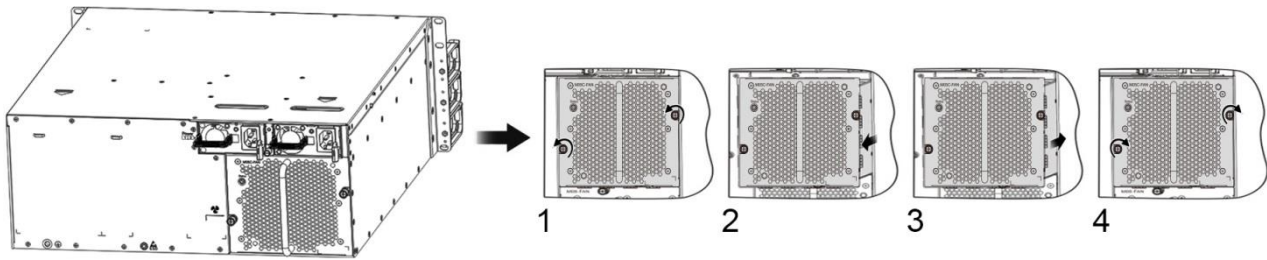


Figure 8-12 Removing the Fan for RG-S7805C



8.6 Removing PoE Frame

- ⚠ Do not touch any bare wire, terminal or the power instruction on the switch.
- ⚠ The PoE frame does not support hot swapping. Do not remove the frame unless the switch is not electrified. Besides, do not put your hands inside the frame.

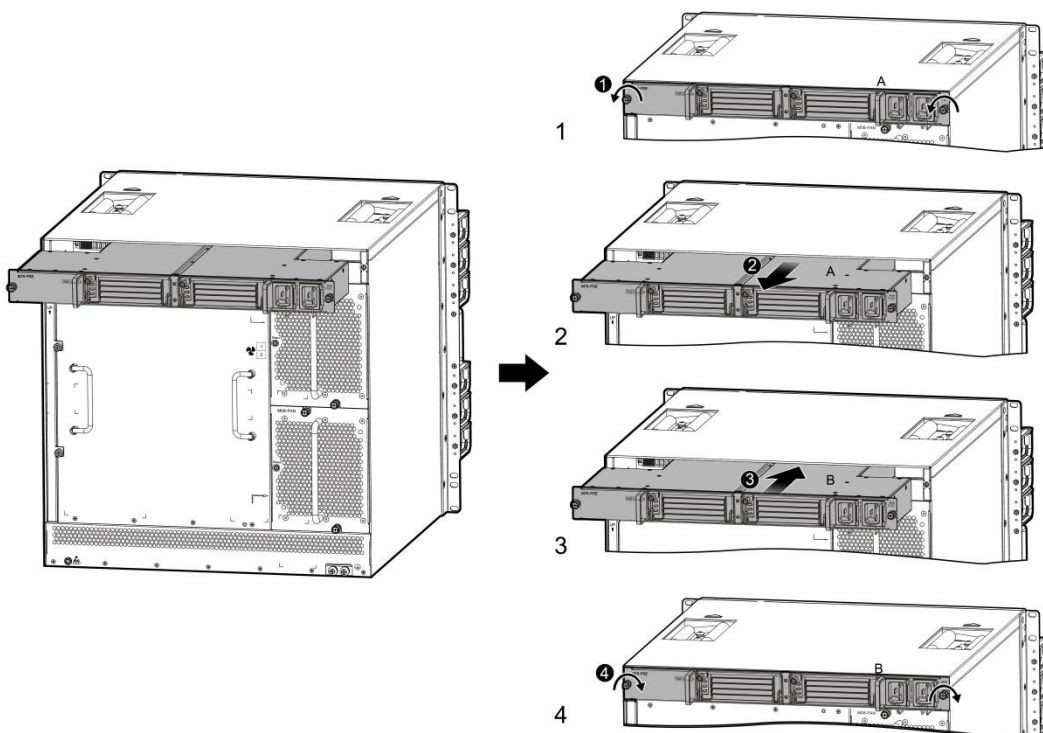
Preparation

1. Wear an anti-static wrist strap close to your skin and have it properly grounded.
2. Take out the PoE power frame from the package.

Take the following steps to remove the PoE frame:

1. Unloosen the captive screws on the frame with the Phillips screwdriver.
2. Pull out the frame and put it in the anti-static bag.
3. Insert the frame into the slot along the slide rail until it hits the back panel.
4. Tighten the captive screws on the frame with the Phillips screwdriver.

Figure 8-13 Removing the PoE power frame for RG-S7808C



Note:

A: PoE power frame modules to be removed

B: PoE power frame modules to be installed

9 Cables

i This chapter describes the precautions and simple steps for cable connection and bundling. See *Appendix D cabling Recommendations in Installation* for detailed cabling and bundling.

9.1 Connecting the External Port Cables

Precautions

- Correctly distinguish single-mode and multi-mode fibers and ports.
- Avoid bends of small radius at the connector.

Simple Connection Steps

1. Connect one end of the RJ45 connector for configuring Ethernet cables to the Ethernet interface of the device module and the other end to the NMS or a control terminal; or connect one end of the standard RJ45 serial port cable to the serial port of the device module and the other end to the NMS or a control terminal.
2. Insert the single-mode or multi-mode fiber into the appropriate interface according to the identification on the panel of the module. Distinguish the Rx/Tx end of the fiber.
3. Insert the twisted pair with the RJ45 port into the appropriate interface according to the identification on the panel of the module. Distinguish the crossover cable and straight-through cable.
4. Connect the cables and fibers of each module in sequence.

9.2 Bundling the Cables

Precautions

- The power cables and other cables should be bundled in a visually pleasing way.
- When you bundle fibers, make sure that the fibers at the connectors have natural bends or bends of large radius.
- Do not bundle fibers and twisted pairs too tightly, as this may press hard the fibers and affect their useful life and transmission performance.

Simple Bundling Steps

1. Bundle the drooping part of the fibers and twisted pairs of each module, and lead them to both sides of the chassis for convenience.
2. On the both sides of the chassis, fasten the fibers and twisted pairs to the cabinet cable management ring or bracket.
3. For the power cables, you should bundle them closely along the bottom of the chassis, in a straight line wherever possible.

Appendix A Connectors and Media

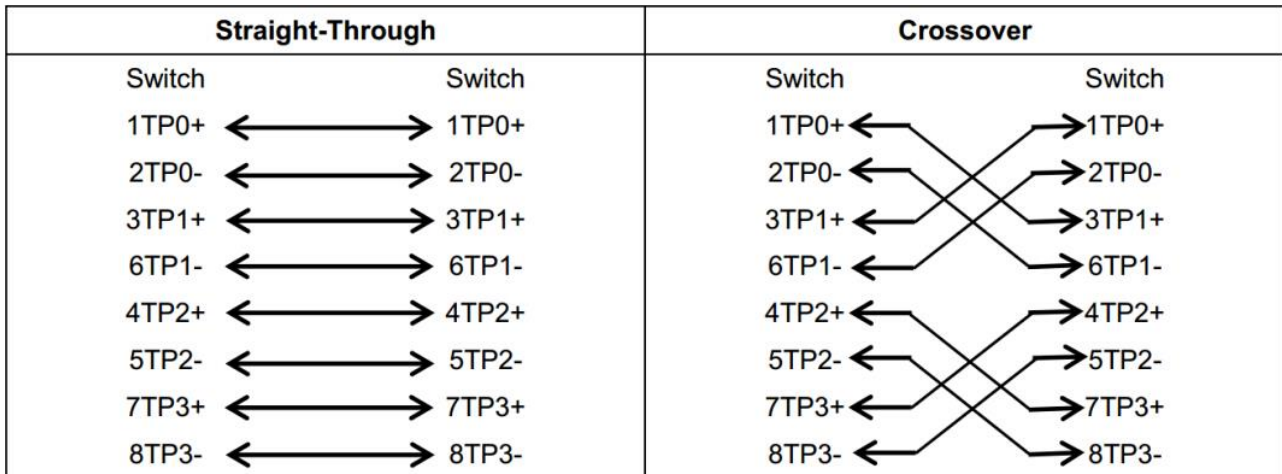
1000BASE-T/100BASE-TX/10BASE-T

The 1000BASE-T/100BASE-TX/10BASE-T is a 10/100/1000 Mbps auto-negotiation port that supports auto MDI/MDIX.

Compliant with IEEE 802.3ab, 1000BASE-T requires Category 5e 100-ohm UTP or STP (STP is recommended) with a maximum distance of 100 meters (328 feet).

1000BASE-T requires all four pairs of wires be connected for data transmission, as shown in Figure A-1

Figure A-1 1000BASE-T Connection



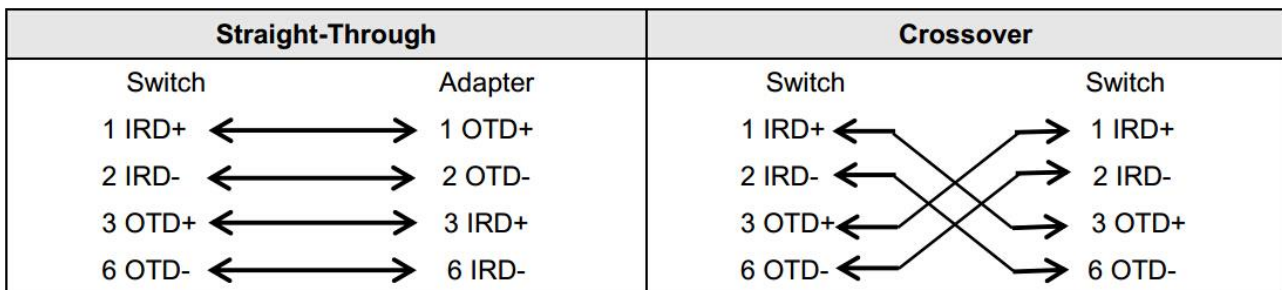
10BASE-T uses Category 3, 4, 5 100-ohm UTP/STP and 1000BASE-T uses Category 5 100-ohm UTP/STP for connections. Both support a maximum length of 100 meters. Figure A-2 shows 100BASE-TX/10BASE-T pin assignments.

Figure A-2 100BASE-TX/10BASE-T Pin Assignments.

| Pin | Socket | Plug |
|---------|-----------------------|-----------------------|
| 1 | Input Receive Data+ | Output Transmit Data+ |
| 2 | Input Receive Data- | Output Transmit Data- |
| 3 | Output Transmit Data+ | Input Receive Data+ |
| 6 | Output Transmit Data- | Input Receive Data- |
| 4,5,7,8 | Not used | Not used |

Figure A-3 shows wiring of straight-through and crossover cables for 100BASE-TX/10BASE-T.

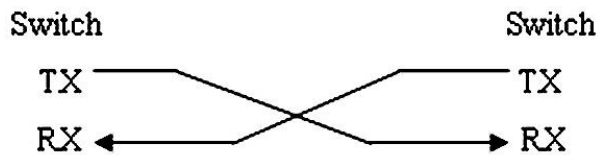
Figure A-3 100BASE-TX/10BASE-T Connection



Fiber Connection

You can choose to use single mode or multimode fibers according to the transceiver module types. Figure A-4 shows connection of fiber cables.

Figure A-4 Fiber Connection



Appendix B Mini-GBIC, 10G SFP+ and 40G QSFP+ Modules Specifications

Ruijie provides various Gigabit SFP (Mini-GBIC modules), 10-Gigabit SFP+ and 40-Gigabit QSFP+ transceivers for interfaces of modules on the switch. You can select the most suitable SFP, SFP+ or QSFP+ transceivers as needed. This appendix describes the models and specifications of some of the Gigabit SFP, 10-Gigabit and 40-Gigabit QSFP+ transceivers for your reference.

Mini-GBIC (SFP) Models and Specifications

Table B-1 Models and Specifications of SFP Modules

| Mini-GBIC(SFP) | Wavelength (nm) | Fiber type | Support DDM (Yes/No) | Transmit(dBm) | | Receive(dBm) | |
|------------------------|-----------------|------------|----------------------|---------------|-----|--------------|-----|
| | | | | MIN | MAX | MIN | MAX |
| FE-SFP-LX-MM1310 | 1310 | MMF | Yes | -22 | -14 | -30 | -14 |
| FE-SFP-LH15-SM1310 | 1310 | SMF | Yes | -15 | -8 | -28 | -8 |
| Mini-GBIC-SX | 850 | MMF | No | -9.5 | -3 | -17 | 0 |
| Mini-GBIC-LX | 1310 | SMF | No | -9.5 | -3 | -20 | -3 |
| GE-eSFP-SX-MM850 | 850 | MMF | Yes | -9.5 | -3 | -17 | 0 |
| GE-eSFP-LX-SM1310 | 1310 | SMF | Yes | -9.5 | -3 | -20 | -3 |
| Mini-GBIC-LH40 | 1310 | SMF | Yes | -2 | 3 | -22 | -3 |
| Mini-GBIC-ZX50 | 1550 | SMF | Yes | -5 | 0 | -22 | -3 |
| Mini-GBIC-ZX80 | 1550 | SMF | Yes | 0 | 4.7 | -22 | -3 |
| Mini-GBIC-ZX100 | 1550 | SMF | Yes | 0 | 5 | -30 | -9 |
| SDH155-SFP-SX-MM850 | 850 | MMF | No | -10 | -4 | -25 | 0 |
| SDH155-SFP-SX-MM1310 | 1310 | MMF | No | -20 | -14 | -30 | -14 |
| SDH155-SFP-LH15-SM1310 | 1310 | SMF | No | -15 | -8 | -28 | -8 |
| SDH155-SFP-LH40-SM1310 | 1310 | SMF | No | -5 | 0 | -34 | -8 |
| SDH155-SFP-LH80-SM1310 | 1310 | SMF | No | -5 | 0 | -34 | -8 |

Table B-2 Module cabling specification

| Mini-GBIC(SFP) | Wavelength (nm) | Fiber Type | Core Size(μm) | Cable Distance |
|------------------------|-----------------|------------|---------------|----------------|
| FE-SFP-LX-MM1310 | 1310 | MMF | 62.5/125 | 2km |
| FE-SFP-LH15-SM1310 | 1310 | SMF | 9/125 | 15km |
| Mini-GBIC-SX | 850 | MMF | 62.5/125 | 275m |
| | | | 50/125 | 550m |
| Mini-GBIC-LX | 1310 | SMF | 9/125 | 10km |
| GE-eSFP-SX-MM850 | 850 | MMF | 62.5/125 | 275m |
| | | | 50/125 | 550m |
| GE-eSFP-LX-SM1310 | 1310 | SMF | 9/125 | 10km |
| Mini-GBIC-LH40 | 1310 | SMF | 9/125 | 40km |
| Mini-GBIC-ZX50 | 1550 | SMF | 9/125 | 50km |
| Mini-GBIC-ZX80 | | | | 80km |
| Mini-GBIC-ZX100 | | | | 100km |
| SDH155-SFP-SX-MM850 | 850 | MMF | 62.5/125 | 500m |
| SDH155-SFP-SX-MM1310 | 1310 | | | 2km |
| SDH155-SFP-LH15-SM1310 | 1310 | SMF | 9/125 | 15km |
| SDH155-SFP-LH40-SM1310 | | | | 40km |
| SDH155-SFP-LH80-SM1550 | 1550 | SMF | 9/125 | 80km |

10-Gigabit SFP+ Models and Specifications

Table B-3 Existing 10-Gigabit SFP+ Optical Cable Models

| Model | Wave length (nm) | Fiber Type | Core Size (μm) | Modular Bandwidth (MHz·km) | Cable Distance | Sending Optical Density (dBm) | | Receiving Optical Density (dBm) | |
|------------------|------------------|--------------------|----------------|----------------------------|----------------|-------------------------------|-----|---------------------------------|-----|
| | | | | | | MIN | MAX | MIN | MAX |
| XG-SFP-SR-MM850 | 850 | MMF (LC connector) | 62.5 | 200 | 33m | -5 | -1 | -7.5 | 0.5 |
| | | | | 160 | 26m | | | | |
| | | | 50 | 2000 | 300m | | | | |
| | | | | 500 | 82m | | | | |
| | | | 400 | 66m | | | | | |
| XG-SFP-LR-SM1310 | 1310 | SMF (LC connector) | 9 | N/A | 10km | -8.2 | 0.5 | -10.3 | 0.5 |
| XG-SFP-ER-SM1550 | 1550 | SMF (LC connector) | 9 | N/A | 40km | -4.7 | 4 | -11.3 | -1 |

Table B-4 Existing 10-Gigabit SFP+ Active Optical Cable Models

| Model | Module Type | Connector | Length(m) | Conductor diameter(AWG) | Data Rate(Gb/s) | Support DDM (Yes/No) |
|--------------|-------------|-----------|-----------|-------------------------|-----------------|----------------------|
| XG-SFP-AOC1M | Active | SFP+ | 1 | \ | 10.3125 | No |
| XG-SFP-AOC3M | Active | SFP+ | 3 | \ | 10.3125 | No |
| XG-SFP-AOC5M | Active | SFP+ | 5 | \ | 10.3125 | No |

40-Gigabit QSFP+ Models and Specifications

Table B-5 Models and Specifications of 40-Gigabit QSFP+ Modules

| Model | Wavelength (nm) | Fiber Type | Core Size (nm) | Modular Bandwidth (MHz/km) | Cable distance | Support DDM (Yes/No) | Sending Optical Density (dBm) | Receiving Optical Density (dBm) |
|---------------------|-----------------|---------------------|----------------|----------------------------|----------------|----------------------|-------------------------------|---------------------------------|
| 40G-Q SFP-S R-MM850 | 850 | MMF (MPO connector) | 50 | 2000 | 100m(OM3) | Yes | -7.6 to 2.4 (Perlane) | -9.5 to 2.4 (Perlane) |
| | | | 50 | 4700 | 150m(OM4) | | | |

1 MMF=Multi-mode fiber

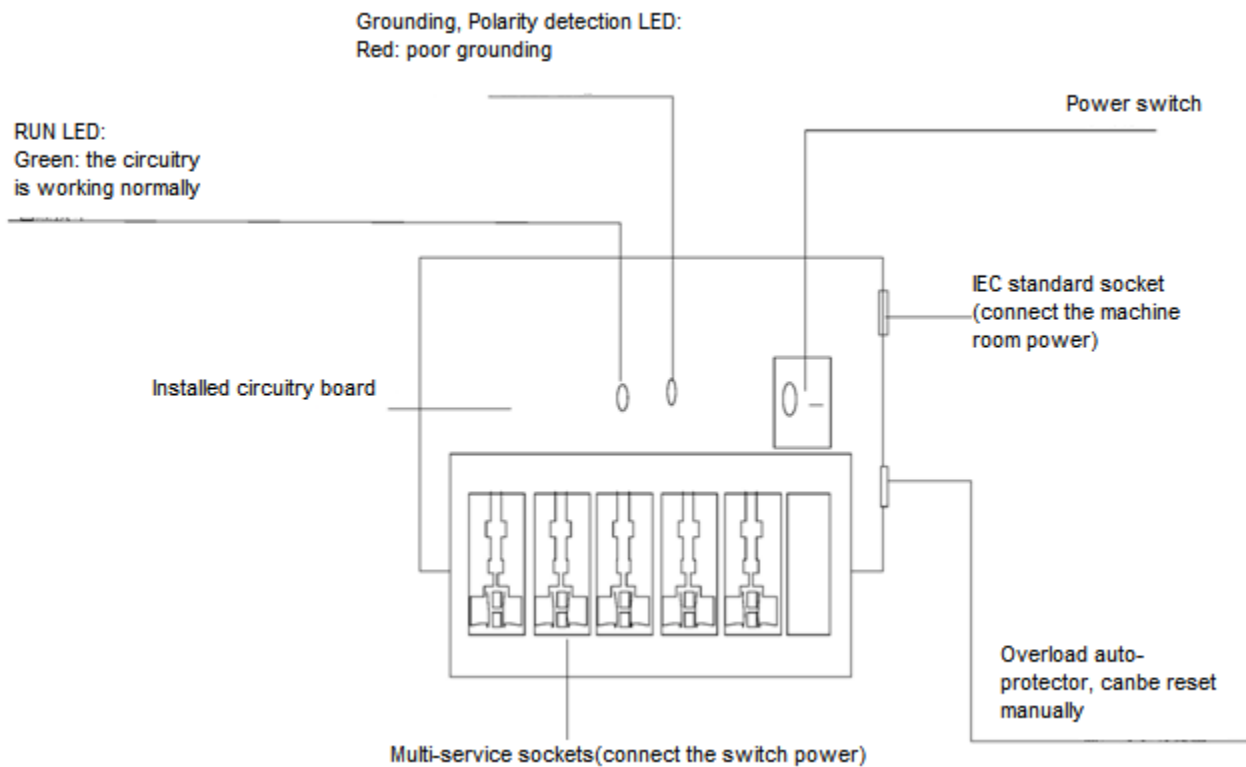
2 SMF=Single-mode fiber

Appendix C Switch Lightning Protection

Installing AC Power Arrester (lightning protection cable row)

The external lightning protection cable row shall be used on the AC power port to prevent the switch from being struck by lightning when the AC power cable is introduced from the outdoor and directly connected to the power port of the switch. The lightning protection cable row is fixed on the cabinet, operating table or the wall in the machine room using the line buttons and screws.

Figure C-1 Schematic Diagram for the Power Arrester



The power arrester is not provided and the user shall purchase it to address the practical requirement.

Precautions for installation:

- Make sure that the PE terminal of the power arrester has been well-grounded;
- After connecting the switch AC power plug to the socket of the power arrester (lightning protection socket), lightning protection function implements if the RUN LED is Green and the ALARM LED is OFF.
- If the ALARM LED on the power arrester is Red, you shall check what the reason is, poor grounding connection or the reversed connection of the Null and Live lines: Use the multimeter to check the polarity of the power socket for the arrester when the LED is Red, if the N line is on the left and the L line is on the right, the arrester PE terminal is not grounded; if the L line is on the left and the N line is on the right, the polarity of the arrester power cable shall be reversed; if the LED is still Red, it is confirmed that the arrester PE terminal has not been grounded.

Installing the Ethernet Port Arrester

During the switch usage, the Ethernet port arrester shall be connected to the switch to prevent the switch damage by lightning before the outdoor network cable connects to the switch.

Tools: Cross or straight screwdriver, Multimeter, Diagonal pliers

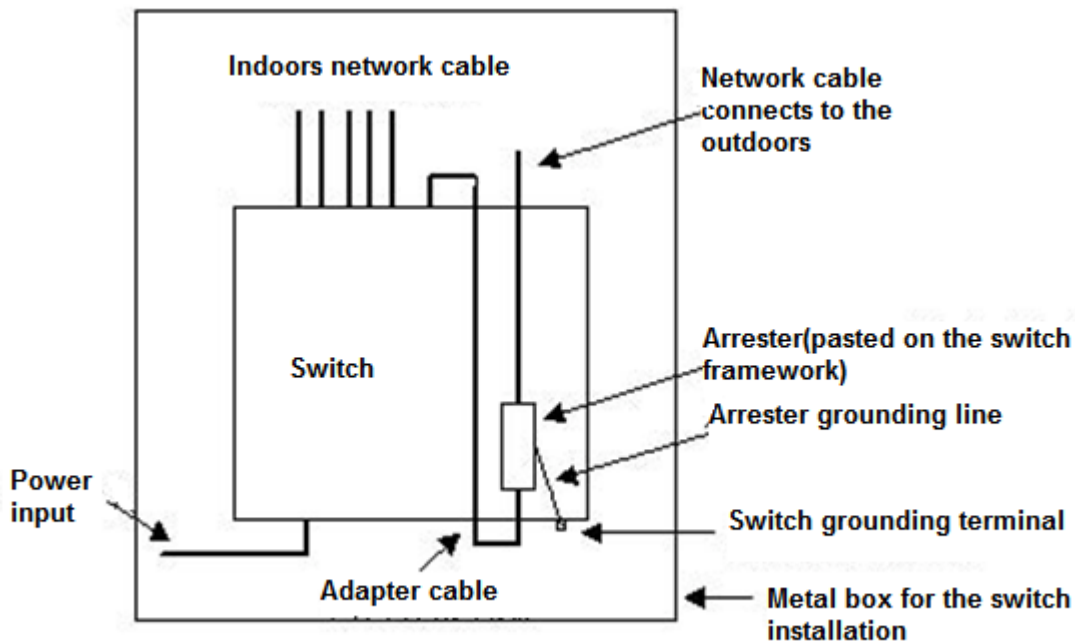
Installation Steps:

1. Tear one side of the protection paper for the double-sided adhesive tape and paste the tape to the framework of the Ethernet port arrester. Tear the other side of the protection paper for the double-sided adhesive tape and paste the

Ethernet port arrester to the switch framework. The paste location for the Ethernet port arrester shall be as close to the grounding terminal of the switch.

2. Based on the distance of the switch grounding terminal, cut the grounding line for the Ethernet port arrester and firmly tighten the grounding line to the grounding terminal of the switch.
3. Use the multimeter to check whether the grounding line for the arrester is in good contact with the switch grounding terminal and the framework.
4. According to the description on the Ethernet Port Arrester Hardware Installation Guide, connect the arrester using the adapter cable (note that the external network cable is connected to the end of IN, while the adapter cable connected to the switch is connected to the end of OUT) and observe whether the LED on the board is normal or not.
5. Use the nylon button to bundle the power cables.

Figure C-2 Schematic Diagram for the Ethernet port Arrester Installation



The Ethernet port arrester is only for the 10M/100M copper Ethernet ports with the RJ-45 connector;

The Ethernet port arrester is not provided, the user can purchase them to address their own practical requirements. For the detailed information during the arrester installation, please refer to Ethernet Port Arrester Hardware Installation Guide, which contains the technical specification and the maintenance and installation of the arrester.

You may pay attention to the following conditions during the actual installation to avoid influencing the performance of the Ethernet port arrester:

- Reversed direction of the arrester installation. You shall connect the external network cable to the "IN" end and connect the switch Ethernet port to the "OUT" end.
- Poor arrester grounding. The length of the grounding line should be as short as possible to ensure that it is in good contact with the switch grounding terminal. Use the multimeter to confirm the contact condition after the grounding.
- Incomplete arrester installation. If there is more than one port connected to the peer device on the switch, it needs to install the arresters on all connection ports for the purpose of the lightning protection.

Appendix D Cabling Recommendations in Installation

When RG-S7808C series switches are installed in standard 19-inch cabinets, route cable bundles upward or downward along the sides of the rack depending on the actual situation in the equipment room. All cable connectors should be placed at the bottom of the cabinet rather than be exposed outside of the cabinet. Power cords should be routed upward or downward beside the cabinet close to the location of the DC power distribution cabinet, AC power outlet, or lightning protection box.

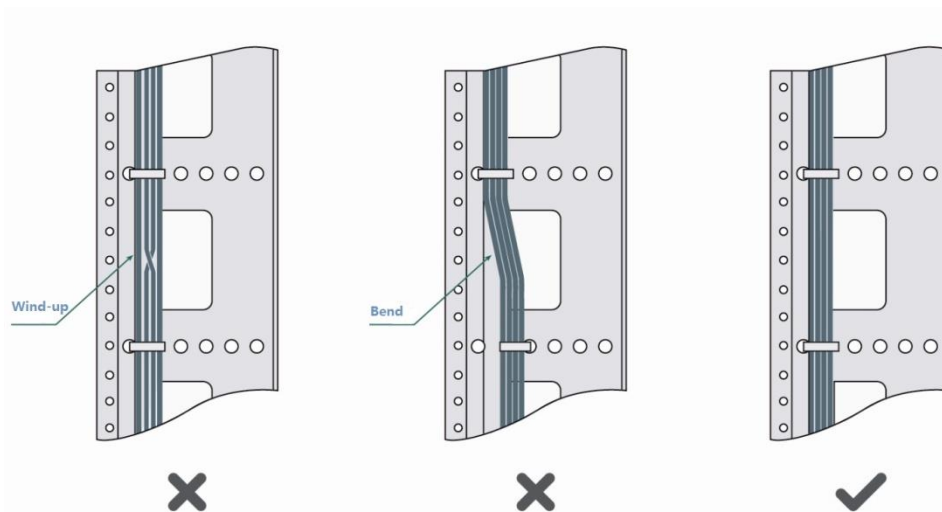
Required Minimum Cable Bend Radius

- The minimum bend radius of a power, communication or flat cable should be 5 times the overall diameter of the cable. If the cable is constantly bent, plugged or unplugged, the bend radius should be 7 times the overall diameter.
- The minimum bend radius of a coaxial cable should be 7 times the overall diameter of the cable. If the cable is constantly bent, plugged or unplugged, the bend radius should be 10 times the overall diameter.
- The minimum bend radius of a high-speed cable, such as an SFP+ cable should be 5 times the overall diameter of the cable. If the cable is constantly bent, plugged or unplugged, the bend radius should be 10 times the overall diameter. Required minimum fiber bend radius
- The diameter of a fiber tray to hold fibers cannot be less than 25 times the diameter of the fiber.
- When moving an optical fiber, the bend radius of the fiber should be equal to or greater than 20 times the diameter of the fiber.
- During cabling of an optical fiber, the bend radius of the fiber should be equal to or greater than 10 times the diameter of the fiber.

Precautions for Cable Bundling

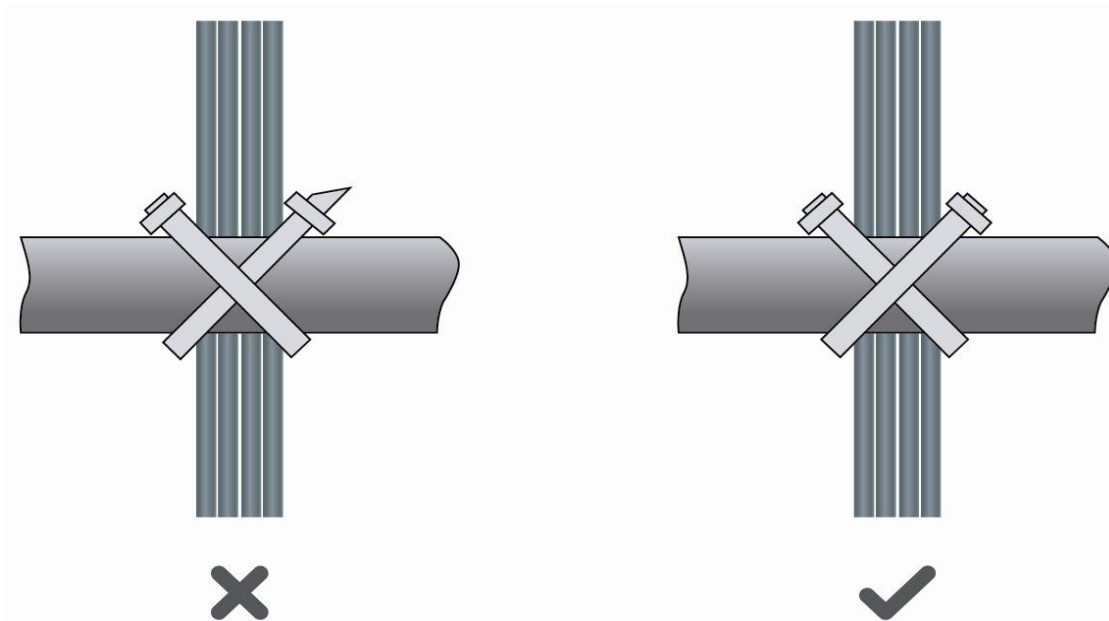
- Before bundling cables, correctly mark labels and stick the labels to cables where appropriate.
- Cables should be neatly and properly bundled, as shown in Figure D-1.

Figure D-1 Bundling Cables



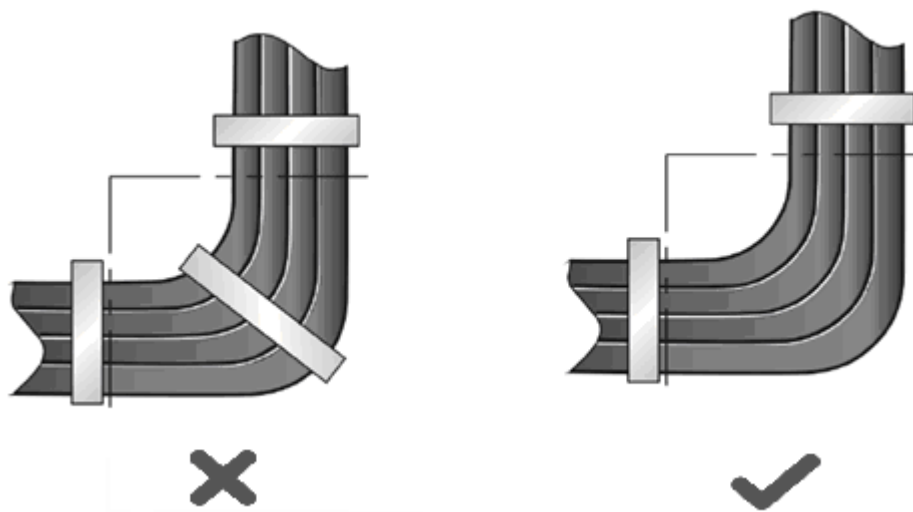
- Route and bundle power, signal, ground cables separately. When the cables are close to each other, cross them. When power cables run parallel to signal cables, the distance between them must be
- All cable trays and their accessories shall be smooth and free from sharp edges.
- Holes in metal, through which cables pass shall have smooth, well-rounded surfaces or be protected with insulating bushings.
- Use proper cable ties to bind cables together. Do not tie two or more cable ties to bind cables.
- Cut off excess cable tie cleanly with no sharp edges after bundling cables, as shown in Figure D-2.

Figure D-2 Cutting off Excess Cable Tie



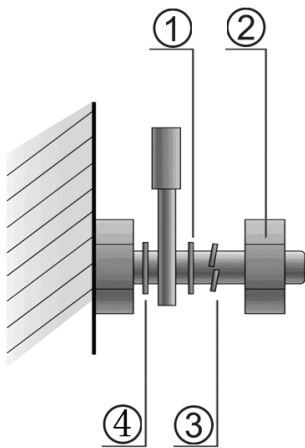
- If cables are to be bent, bind them first but do not tie cable ties within the bend to avoid stress on the cables, which may otherwise cause the wires inside to break, as shown in Figure D-3.

Figure D-3 Do Not Tie Cable Ties within the Bend



- Wrap up unnecessary or excess cables and bind them to the appropriate rack position, where device operation is not affected and no damages occur to the device and cables during debugging.
- Do not bind power cords to the rails for moving parts.
- Leave a certain length of the cable connecting moving parts, such as the ground wire of the cabinet door, to avoid stress on the cable; When moving parts are in place, ensure the excess cable length shall not contact heat sources, sharp corners or edges. If heat sources are unavoidable, use high-temperature cables instead.
- When using screws to fasten cable lugs, the bolts or nuts shall be tightened and prevented from loosening, as shown in Figure D-4.

Figure D-4 Fastening Cable Lugs



| | | |
|-------------|----------------|------------------|
| Note | 1. Flat washer | 3. Spring washer |
| | 2. Nut | 4. Flat washer |

- When using a stiff cable, fix it near the cable lug to avoid stress on the lug and cable.
- Do not use self-tapping screws to fasten terminals.
- Bundle cables of the same type and running in the same direction into groups. Keep cables clean and straight.
- Cables shall be tied according to the following table.

| Diameter of Cable Bundle (mm) | Space between Bundles (mm) |
|-------------------------------|----------------------------|
| 10 | 80 to 150 |
| 10 to 30 | 150 to 200 |
| 30 | 200 to 300 |

- Do not tie knots for cables or cable bundles.
- The metal parts of the cold-pressed terminal blocks, such as air circuit breakers, shall not be exposed outside of the blocks.

Appendix E Site Selection

- The machine room should be at least 5km away from the heavy pollution source such as the smelter, coal mine and thermal power plant, 3.7km away from the medium pollution source such as the chemical industry, rubber industry and electroplating industry, and 2km away from the light pollution source such as the food manufacturer and leather plant. If the pollution source is unavoidable, the machine room should be located on the windward side of the pollution source perennially with advanced protection.
- The machine room should be at least 3.7km away from the sea or salt lake. Otherwise, the machine room must be sealed, with air conditioner installed for temperature control. Saline soil cannot be used for construction. Otherwise, you should select devices with advanced protection against severe environment.
- Do not build the machine room in the proximity of livestock farms. Otherwise, the machine room should be located on the windward side of the pollution source perennially. The previous livestock house or fertilizer warehouse cannot be used as the machine room.
- The machine room should be firm enough to withstand severe weather conditions such as windstorm and heavy rain as well as away from dust. If the dust is unavoidable, keep the door and window away from the pollution source.
- The machine room should be away from the residential area. Otherwise, the machine room should meet the construction standard in terms of noise.
- Make sure the air vent of the machine room is away from the sewage pipe, septic tank, and sewage treatment tank. Keep the machine room under positive pressure to prevent corrosive gas from entering the machine room to corrode components and circuit boards. Keep the machine room away from industrial boiler and heating boiler.
- The machine room had better be on the second floor or above. Otherwise, the machine room floor should be 600mm higher than the highest flood level ever recorded.
- Make sure there are no cracks or holes in the wall and floor. If there are cable entries in the wall or window, take proper sealing measures. Ensure that the wall is flat, wear-resistant, and dust-free, which should be up to the standard for flame retarding, soundproofing, heat absorption, dust reduction, and electromagnetic shielding.
- Keep the door and the window closed to make the machine room sealed.
- The steel door is recommended for soundproofing.
- Sulfur-containing materials are forbidden.
- Pay attention to the location of the air conditioner. Keep the air conditioner from blowing wind straight toward the device or blowing water drops from the window or air vent toward the device.